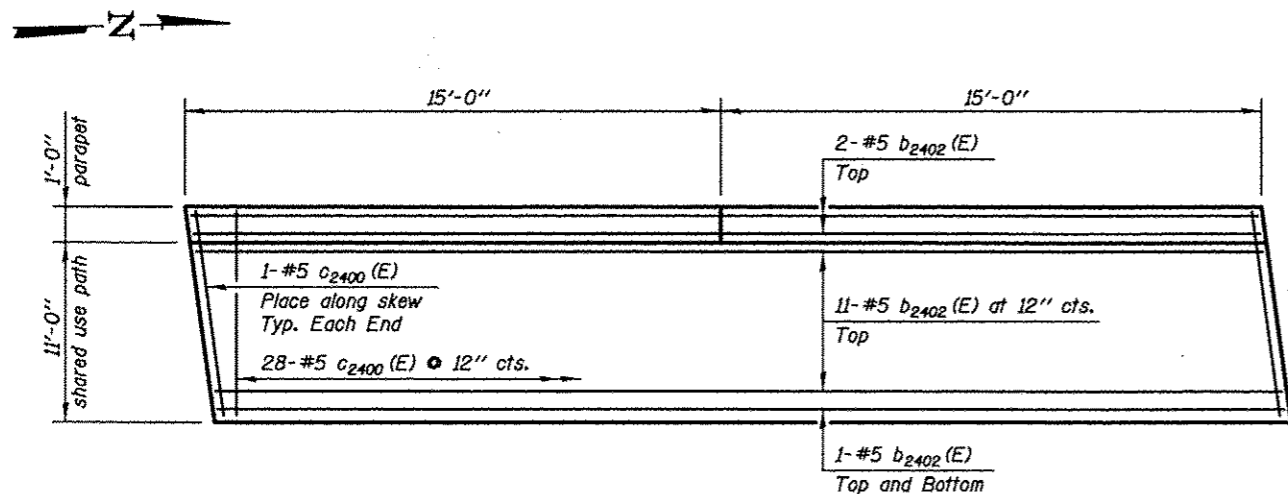


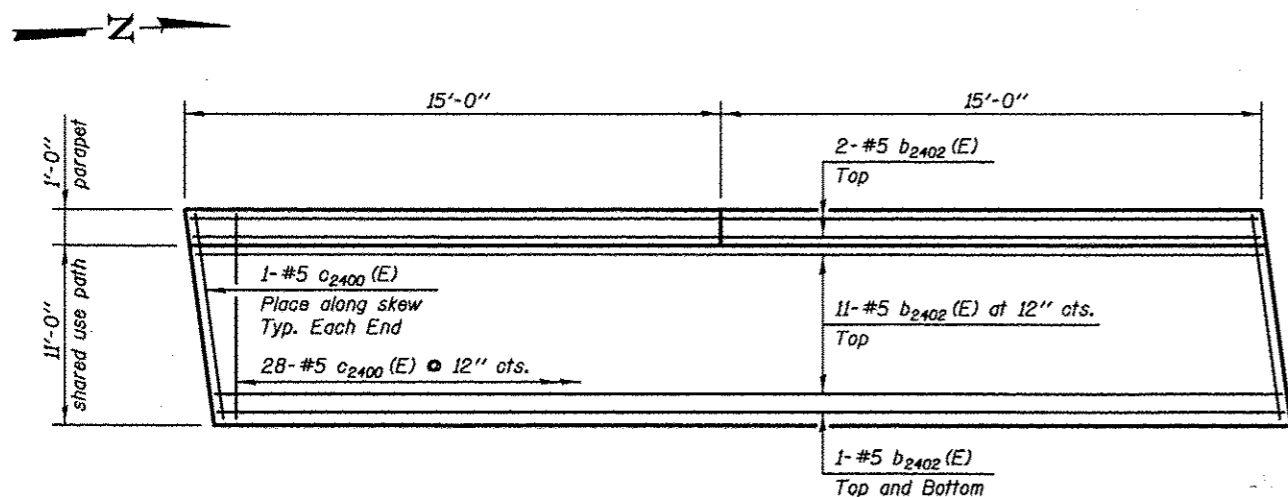
**VIEW F-F**

Dimensions along roadway face of parapet  
South Approach parapet shown, North Approach parapet opposite hand



**SHARED USE PATH - PARTIAL PLAN**

South Approach Slab (SB)



**SHARED USE PATH - PARTIAL PLAN**

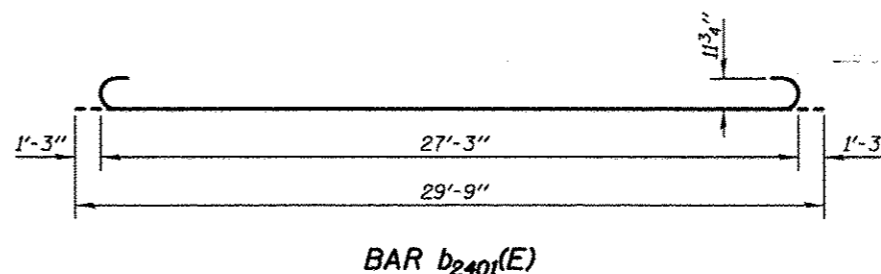
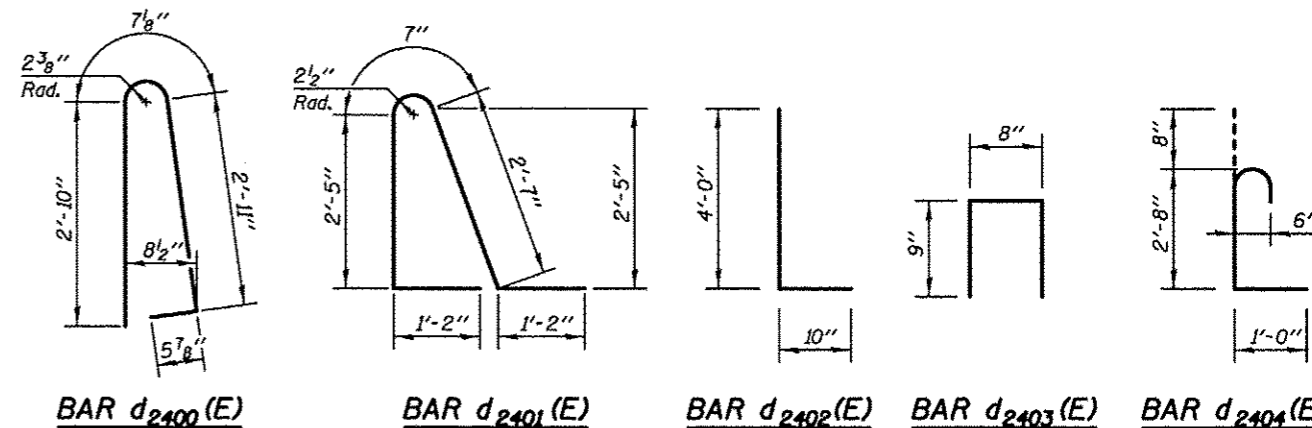
North Approach Slab (SB)

**BILL OF MATERIAL  
SOUTH APPROACH SLAB**

BAR	NO.	SIZE	LENGTH	SHAPE
a2400(E)	50	#4	31'-3"	—
a2401(E)	92	#5	31'-9"	—
a2402(E)	24	#6	6'-6"	—
b2400(E)	48	#4	29'-8"	—
b2401(E)	141	#9	29'-9"	—
b2402(E)	15	#5	29'-7"	—
c2400(E)	30	#5	11'-8"	—
d2400(E)	34	#5	6'-10"	⌋
d2401(E)	34	#5	7'-11"	⌋
d2402(E)	68	#5	4'-10"	⌋
d2403(E)	8	#4	2'-2"	⌋
d2404(E)	4	#6	4'-4"	⌋
e2400(E)	26	#4	14'-8"	—
e2401(E)	1	#8	29'-8"	—
e2402(E)	1	#4	29'-8"	—
f2400(E)	120	#4	9'-9"	—
w2400(E)	80	#5	31'-9"	—
Reinforcement Bars, Epoxy Coated			LB	25060
Concrete Superstructure			Cu. Yd.	115.0
Concrete Structures			Cu. Yd.	20.0
Bridge Deck Grooving			Sq. Yd.	147.0
Protective Coat			Sq. Yd.	226.0

**BILL OF MATERIAL  
NORTH APPROACH SLAB**

BAR	NO.	SIZE	LENGTH	SHAPE
a2400(E)	50	#4	31'-3"	—
a2401(E)	92	#5	31'-9"	—
a2402(E)	24	#6	6'-6"	—
b2400(E)	48	#4	29'-8"	—
b2401(E)	141	#9	29'-9"	—
b2402(E)	15	#5	29'-7"	—
c2400(E)	30	#5	11'-8"	—
d2400(E)	34	#5	6'-10"	⌋
d2401(E)	34	#5	7'-11"	⌋
d2402(E)	68	#5	4'-10"	⌋
d2403(E)	8	#4	2'-2"	⌋
d2404(E)	4	#6	4'-4"	⌋
e2400(E)	26	#4	14'-8"	—
e2401(E)	1	#8	29'-8"	—
e2402(E)	1	#4	29'-8"	—
f2400(E)	120	#4	9'-9"	—
w2400(E)	80	#5	31'-9"	—
Reinforcement Bars, Epoxy Coated			LB	25060
Concrete Superstructure			Cu. Yd.	115.0
Concrete Structures			Cu. Yd.	20.0
Bridge Deck Grooving			Sq. Yd.	147.0
Protective Coat			Sq. Yd.	226.0



**Notes:**

Approach slab and parapet concrete shall be paid for as Concrete Superstructure.

Approach footing concrete shall be paid for as Concrete Structures.

Reinforcement shall be paid for as Reinforcement Bars, Epoxy Coated.

Cost of excavation for approach footing included with Concrete Structures.

See Sheet SA-26 for additional shared use path and parapet details.

See Sheet SA-29 for Parapet Joint Details.

**KNIGHT**  
Engineers & Architects

SCALE NONE  
DATE 10/15/2012

DESIGNED - WPM  
CHECKED - TB  
DRAWN - TB  
CHECKED - WPM

REVISED  
REVISED  
REVISED  
REVISED

STATE OF ILLINOIS  
DEPARTMENT OF TRANSPORTATION

BRIDGE APPROACH SLAB DETAILS (NB)  
S.N. 022-2029 (SB) TOLLWAY B.N. 826  
S.N. 022-2030 (NB) TOLLWAY B.N. 825

SHEET NO. SA-35 OF 63 SHEETS

F.A.P. RTE.	SECTION	COUNTY	TOTAL SHEETS	SHEET NO.
338	(112 & 113) WRS-5	DUPAGE	963	619
CONTRACT NO. 60131			ILLINOIS FED. AID PROJECT	