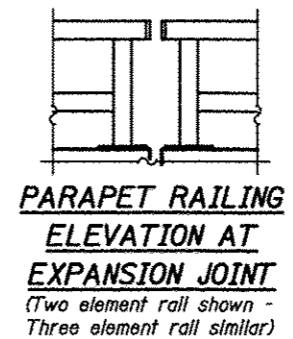
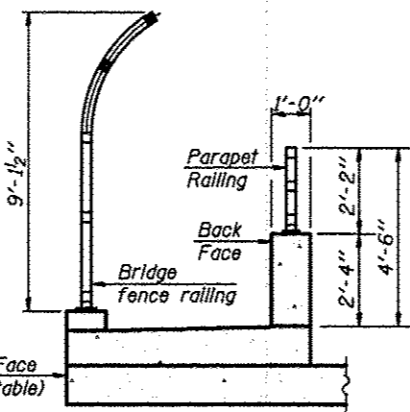
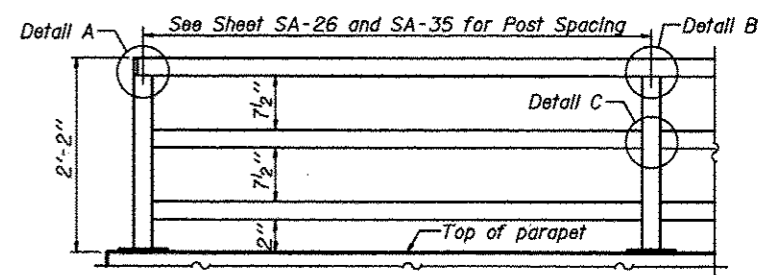
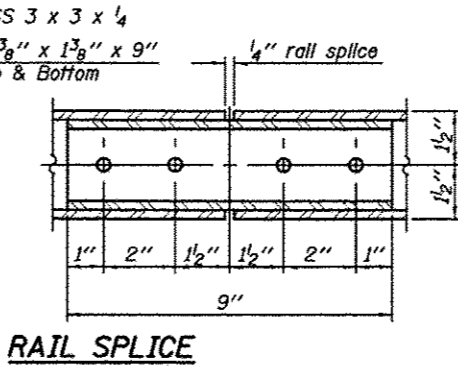
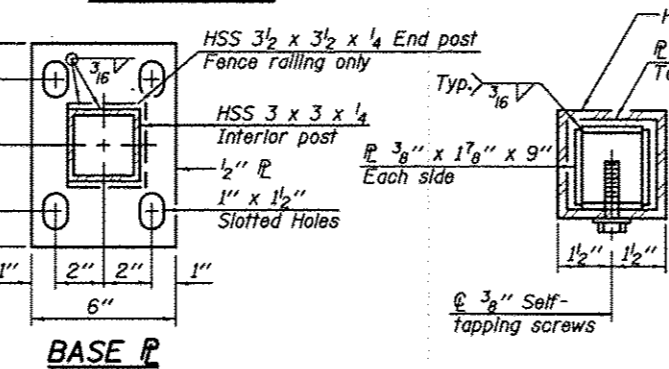
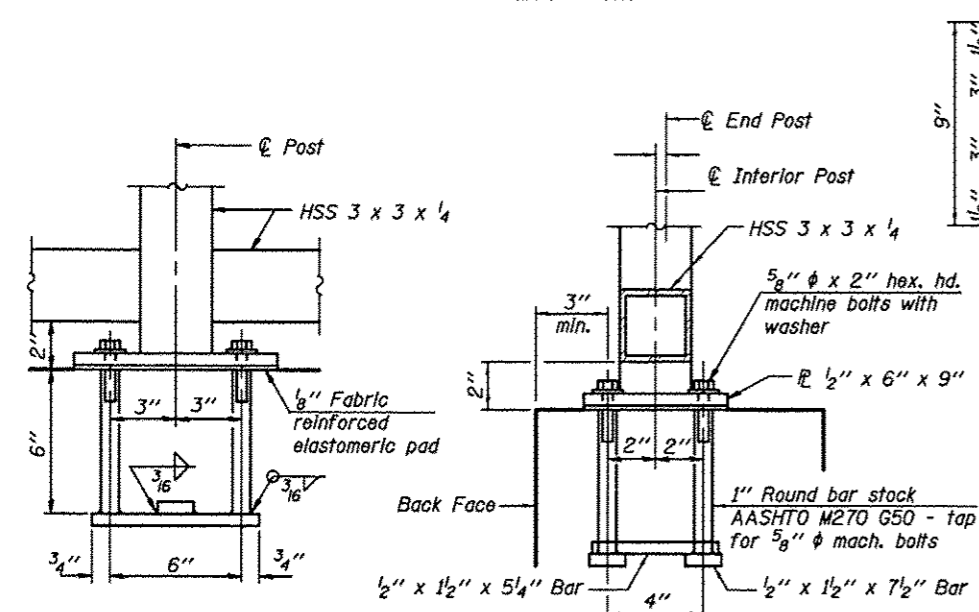
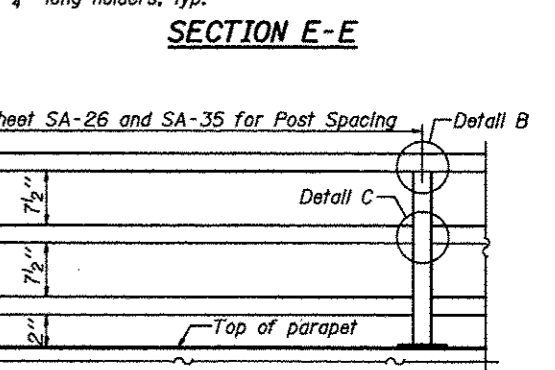
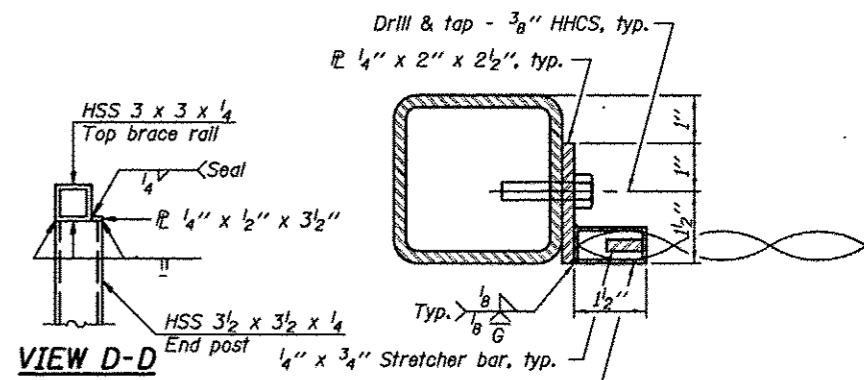
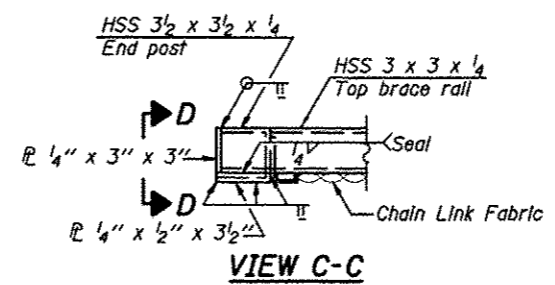
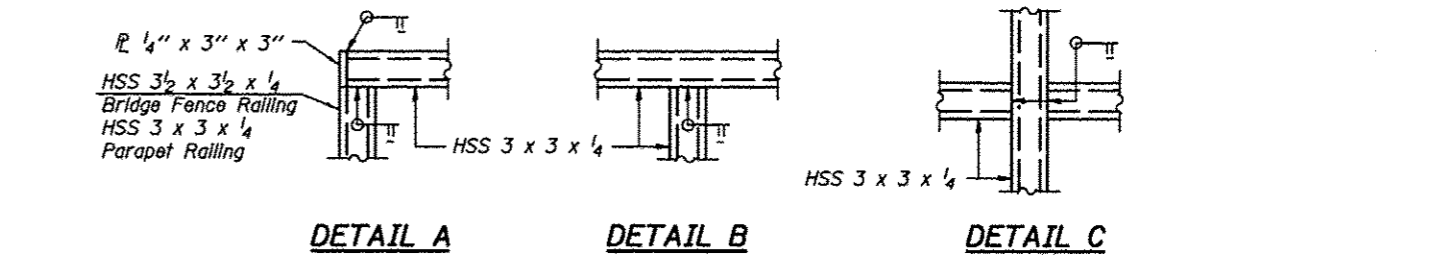
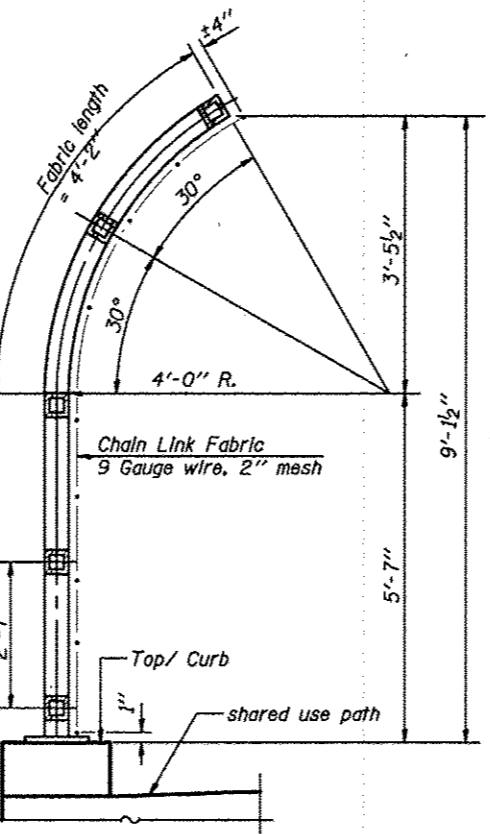
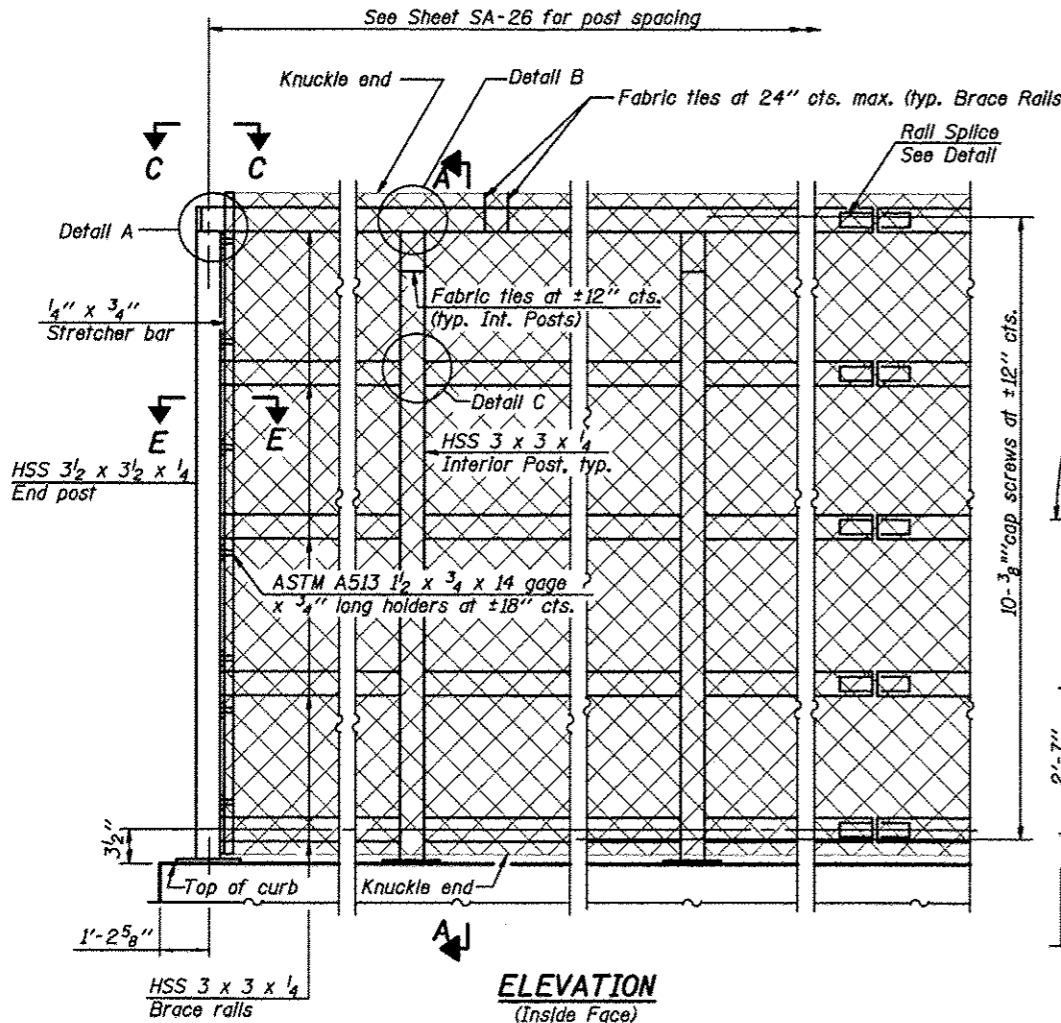


**Note:**  
All steel rail elements shall be galvanized according to Article 509.05 of the Standard Specifications.



**BILL OF MATERIAL**

Item	Unit	Quantity
Bridge Fence Railing (Sidewalk)	Foot	251.0
Parapet Railing	Foot	312.0

In lieu of the cast-in-place anchor device shown, the Contractor has the option of drilling and setting 5/8"  $\phi$  anchor rods according to Article 509.06 of the Standard Specifications. Embedment shall be according to the manufacturer's specifications.

**KNIGHT**  
Engineers & Architects

SCALE NONE  
DATE 10/15/2012

DESIGNED - WPM  
CHECKED - TB  
DRAWN - TB  
CHECKED - WPM

REVISED  
REVISED  
REVISED  
REVISED

STATE OF ILLINOIS  
DEPARTMENT OF TRANSPORTATION

BRIDGE FENCE RAILING, SIDEWALK MOUNTED  
S.N. 022-2029 (SB) TOLLWAY B.N. 826  
S.N. 022-2030 (NB) TOLLWAY B.N. 825  
SHEET NO. SA-39 OF 63 SHEETS

F.A.P. RTE.	SECTION	COUNTY	TOTAL SHEETS	SHEET NO.
338	(112 & 113) WRS-5	DUPAGE	963	623

CONTRACT NO. 60131  
ILLINOIS FED. AID PROJECT