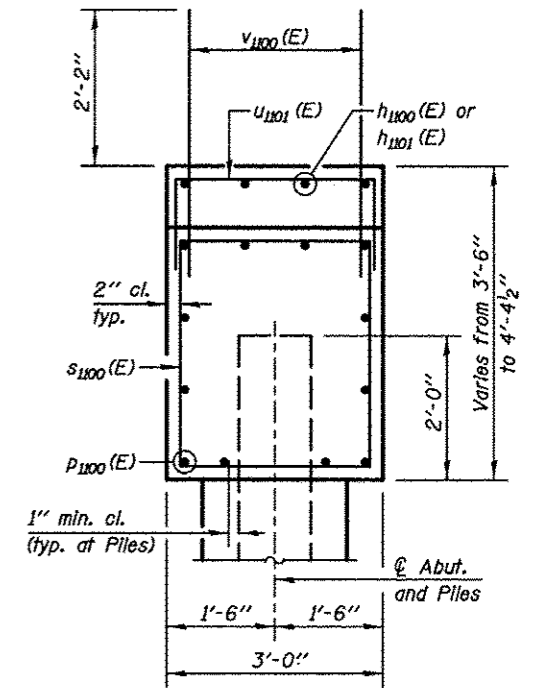


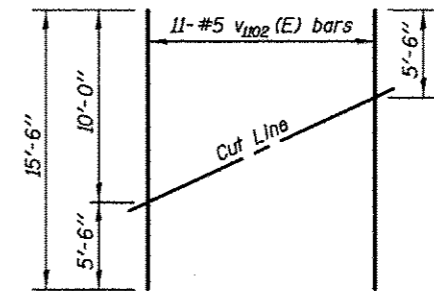
**ELEVATION**  
(Looking South)



**SEC. THRU ABUT.**

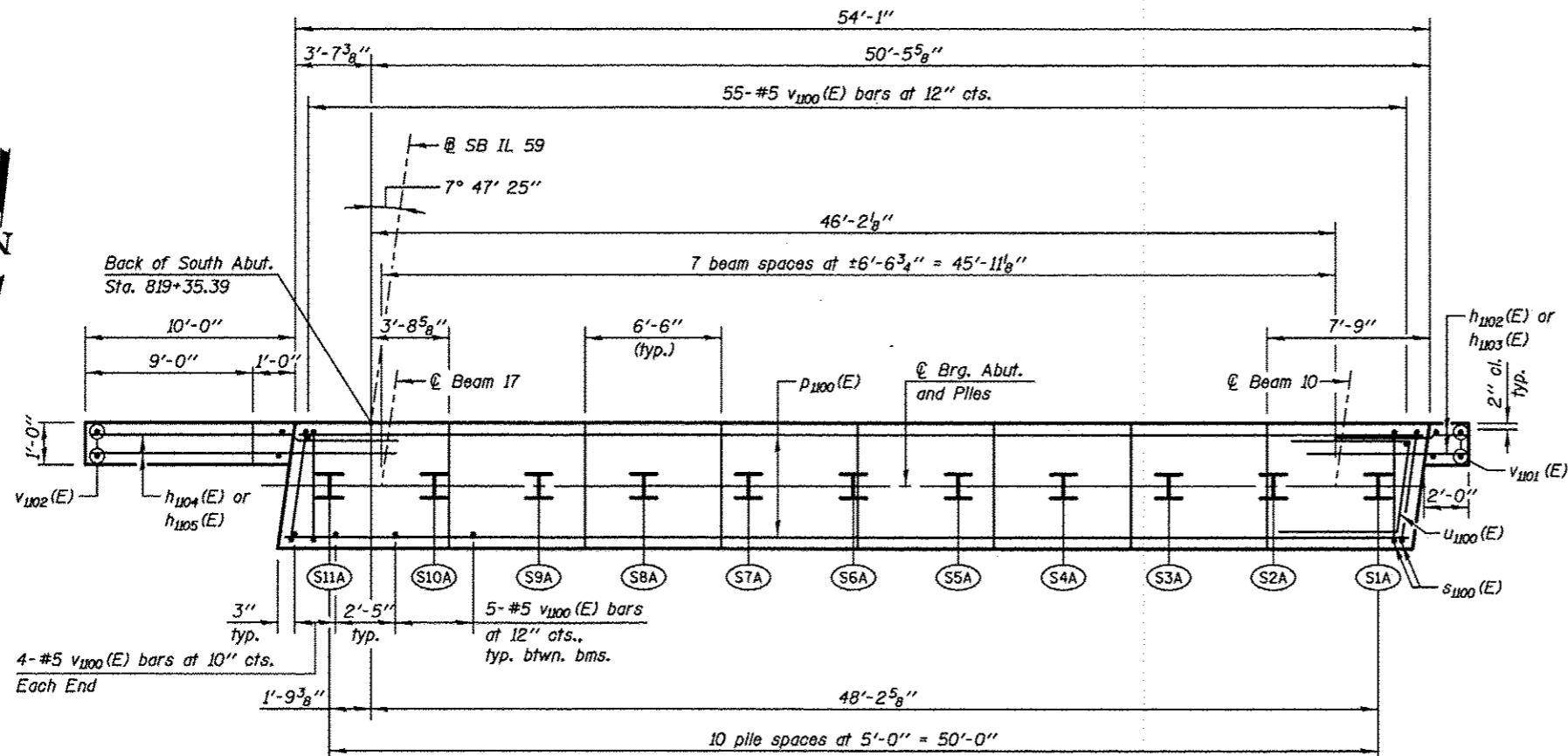
**BEARING SEAT ELEVATIONS**

BEAM	BRG. SEAT ELEVATION	STEP T- Inch
10	724.46	15 <sup>5</sup> / <sub>8</sub> "
11	724.32	1 <sup>1</sup> / <sub>2</sub> "
12	724.20	1 <sup>1</sup> / <sub>2</sub> "
13	724.07	1 <sup>1</sup> / <sub>2</sub> "
14	723.95	1 <sup>1</sup> / <sub>2</sub> "
15	723.82	1 <sup>1</sup> / <sub>2</sub> "
16	723.70	1 <sup>1</sup> / <sub>2</sub> "
17	723.58	13 <sup>5</sup> / <sub>8</sub> "

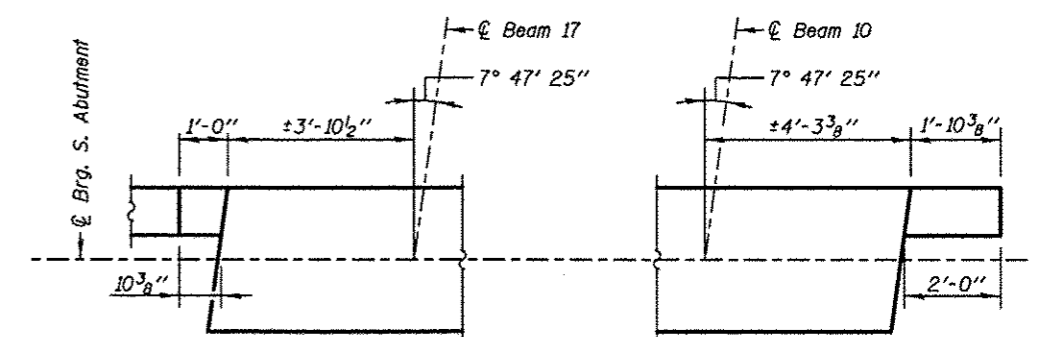


**FIELD CUTTING DIAGRAM**

Order v1102(E) full length. Cut as shown and use remainder of bars in opposite face.



**PLAN - SOUTH ABUTMENT**  
(SB Bridge)



**ABUTMENT CORNER DETAILS**

**PILE DATA**

Type & Size: Steel HP 14x73  
 Nominal Required Bearing: 578 Kips  
 Factored Resistance Available: 318 Kips  
 Est. Length: 75 ft  
 No. Production Piles: 10  
 No. Test Piles: 1

**NOTES**

Four steps monolithically with cap.  
 Bars indicated thus 20x3-#15 indicates 20 lines of bars with 3 lengths per line.  
 See Sheet SA-04 for additional Pile Layout details.  
 See Sheet SA-48 for details and Bill of Material.

See Sheet SA-49 for Chain Link Fence post spacing.  
 See Roadway Plans for additional Chain Link Fence details.

**LEGEND**

E.F. Each Face  
 (S1A) Pile Number

**MIN. BAR LAP**

Vertical Bars #5 - 2'-7"  
 Horizontal Bars #5 - 2'-11"  
 #7 - 4'-8"