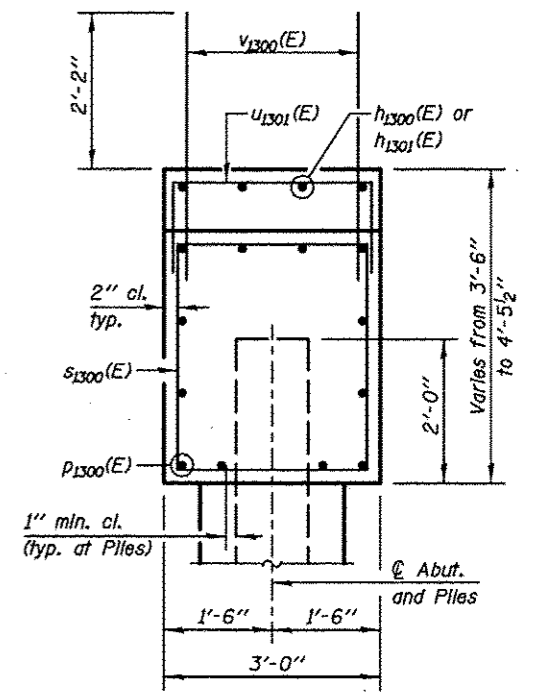
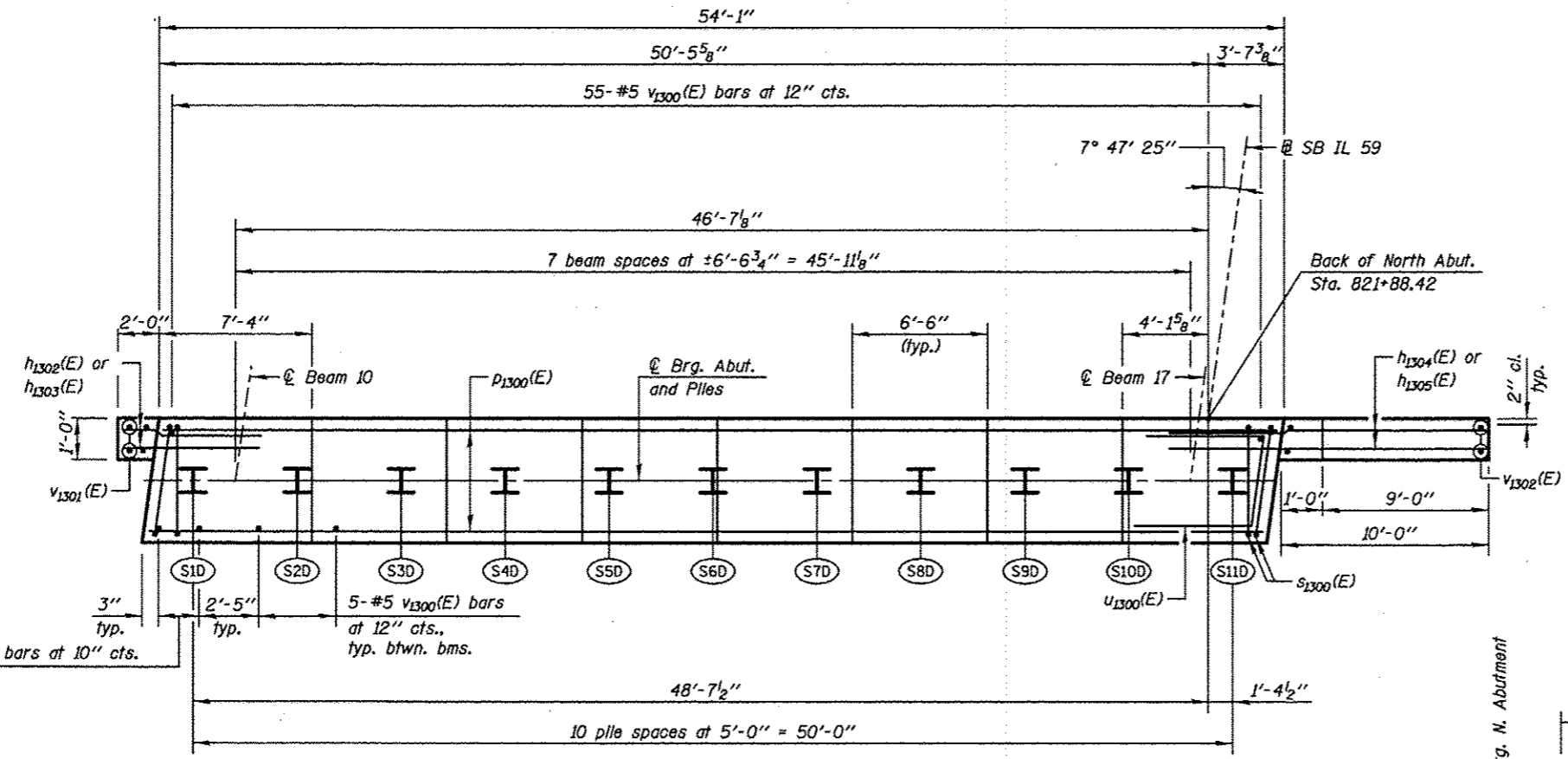


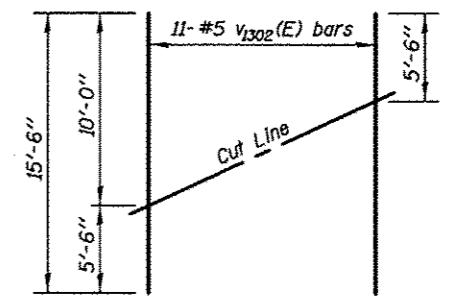
ELEVATION
(Looking North)



SEC. THRU ABUT.



PLAN - NORTH ABUTMENT
(SB Bridge)



FIELD CUTTING DIAGRAM

Order v1302(E) full length. Cut as shown and use remainder of bars in opposite face.

BEARING SEAT ELEVATIONS

BEAM	BRG. SEAT ELEVATION	STEP T- Inch
10	725.52	1 3/4"
11	725.37	1 5/8"
12	725.24	1 5/8"
13	725.10	1 3/4"
14	724.96	1 5/8"
15	724.82	1 5/8"
16	724.69	1 5/8"
17	724.56	1 1/2"

PILE DATA

Type & Size: Steel HP 14x73
 Nominal Required Bearing: 578 Kips
 Factored Resistance Available: 318 Kips
 Est. Length: 65 ft
 No. Production Piles: 10
 No. Test Piles: 1

NOTES

Pour steps monolithically with cap.
 Bars indicated thus 20x3-#15 indicates 20 lines of bars with 3 lengths per line.
 See Sheet SA-04 for additional Pile Layout details.
 See Sheet SA-48 for details and Bill of Material.

See Sheet SA-50 for Chain Link Fence post spacing.

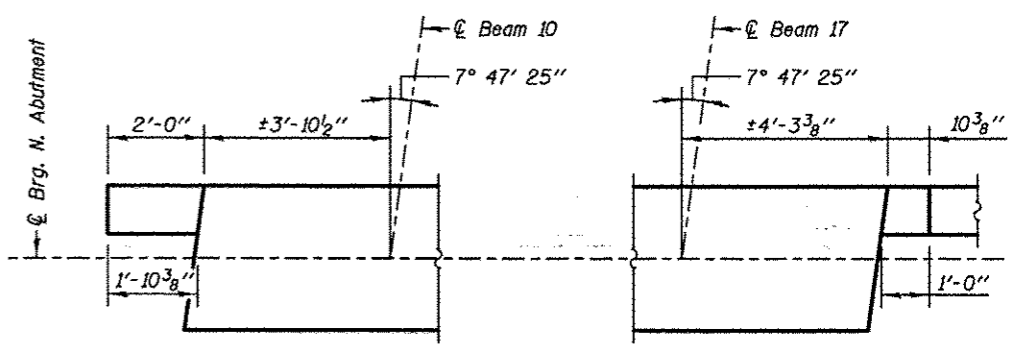
See Roadway Plans for additional Chain Link Fence details.

LEGEND

E.F. Each Face
 (S1D) Pile Number

MIN. BAR LAP

Vertical Bars #5 - 2'-7"
 Horizontal Bars #5 - 2'-11"
 #7 - 4'-8"



ABUTMENT CORNER DETAILS

KNIGHT
 Engineers & Architects

SCALE - NONE
 DATE - 10/15/2012

DESIGNED - WPM
 CHECKED - TB
 DRAWN - TB
 CHECKED - WPM

REVISED
 REVISED
 REVISED
 REVISED

STATE OF ILLINOIS
 DEPARTMENT OF TRANSPORTATION

NORTH ABUTMENT (SB)
 S.N. 022-2029 (SB) TOLLWAY B.N. 826
 S.N. 022-2030 (NB) TOLLWAY B.N. 825
 SHEET NO. SA-45 OF 63 SHEETS

F.A.P. RTE. 338 SECTION (112 & 113) WRS-5 COUNTY DUPAGE COUNTY TOTAL SHEETS 963 SHEET NO. 629 CONTRACT NO. 60131 ILLINOIS FED. AID PROJECT