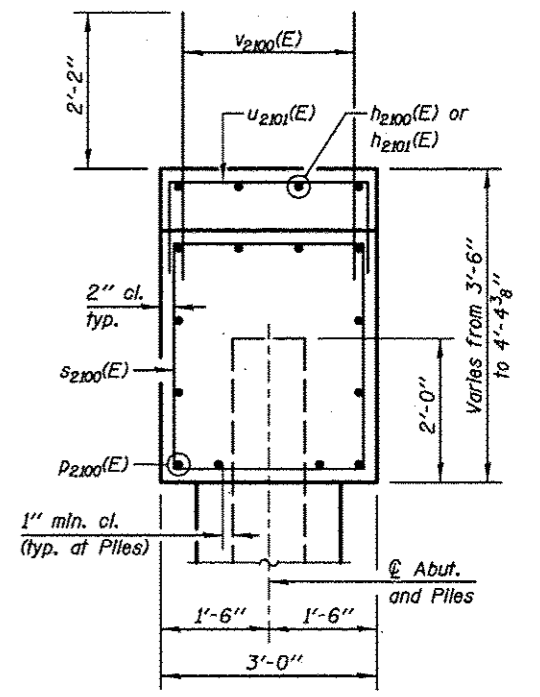
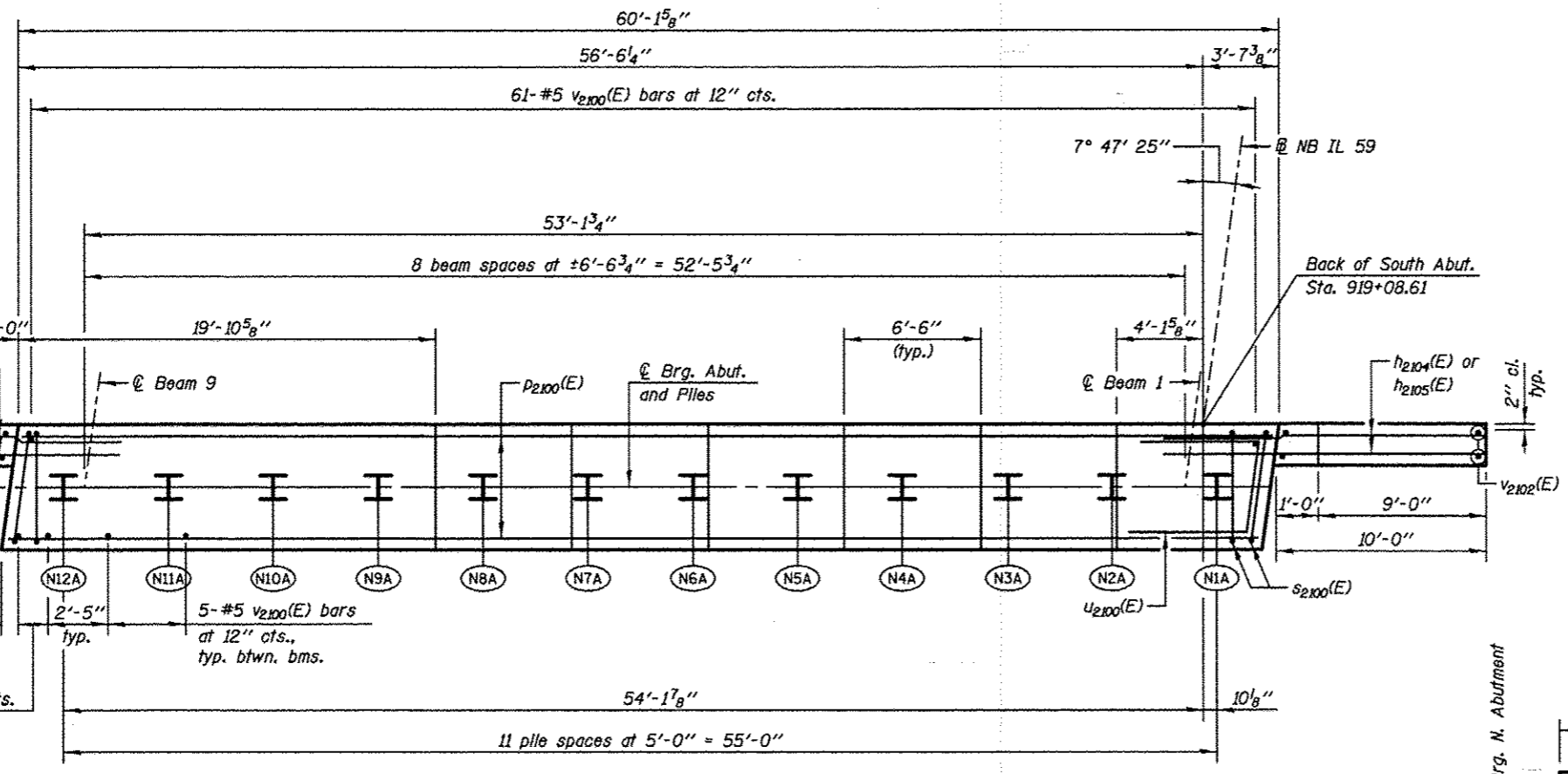


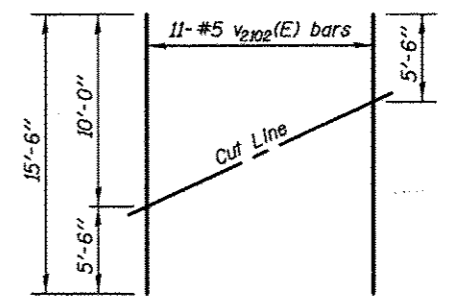
ELEVATION
(Looking South)



SEC. THRU ABUT.



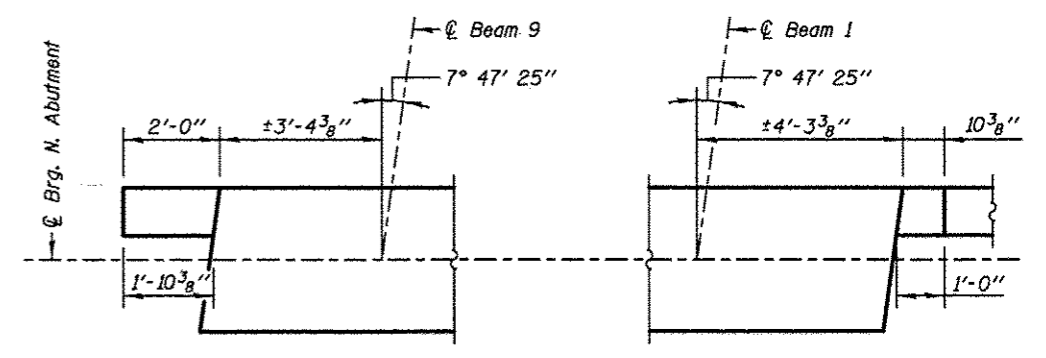
PLAN - SOUTH ABUTMENT
(NB Bridge)



FIELD CUTTING DIAGRAM
Order v2102(E) full length. Cut as shown and use remainder of bars in opposite face.

BEARING SEAT ELEVATIONS

| BEAM | BRG. SEAT ELEVATION | STEP T- Inch |
|------|---------------------|---------------------------------|
| 1 | 723.15 | 1 ⁵ / ₈ " |
| 2 | 723.29 | 1 ³ / ₄ " |
| 3 | 723.43 | 1 ³ / ₄ " |
| 4 | 723.58 | 1 ³ / ₄ " |
| 5 | 723.72 | 1 ³ / ₄ " |
| 6 | 723.87 | 1 ³ / ₄ " |
| 7 | 724.02 | 1 ³ / ₄ " |
| 8 | 724.02 | |
| 9 | 724.02 | |



ABUTMENT CORNER DETAILS

PILE DATA

Type & Size: Steel HP 14x73
 Nominal Required Bearing: 499 Kips
 Factored Resistance Available: 274 Kips
 Est. Length: 60 ft
 No. Production Piles: 11
 No. Test Piles: 1

NOTES

Pour steps monolithically with cap.
 See Sheet SA-49 for Chain Link Fence post spacing.
 Bars indicated thus 20x3-#15 indicates 20 lines of bars with 3 lengths per line.
 See Roadway Plans for additional Chain Link Fence details.
 See Sheet SA-04 for additional Pile Layout details.
 See Sheet SA-48 for details and Bill of Material.

LEGEND

E.F. Each Face
 (NIA) Pile Number

MIN. BAR LAP

Vertical Bars
 #5 - 2'-7"
 #7 - 4'-8"

Horizontal Bars
 #5 - 2'-11"
 #7 - 4'-8"