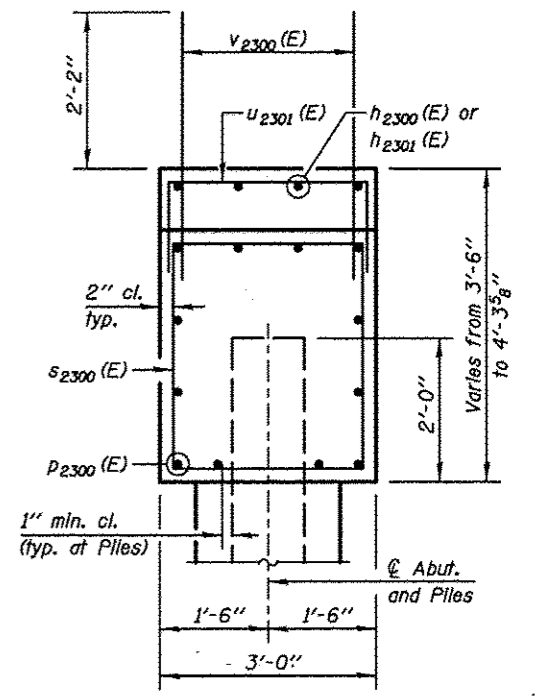
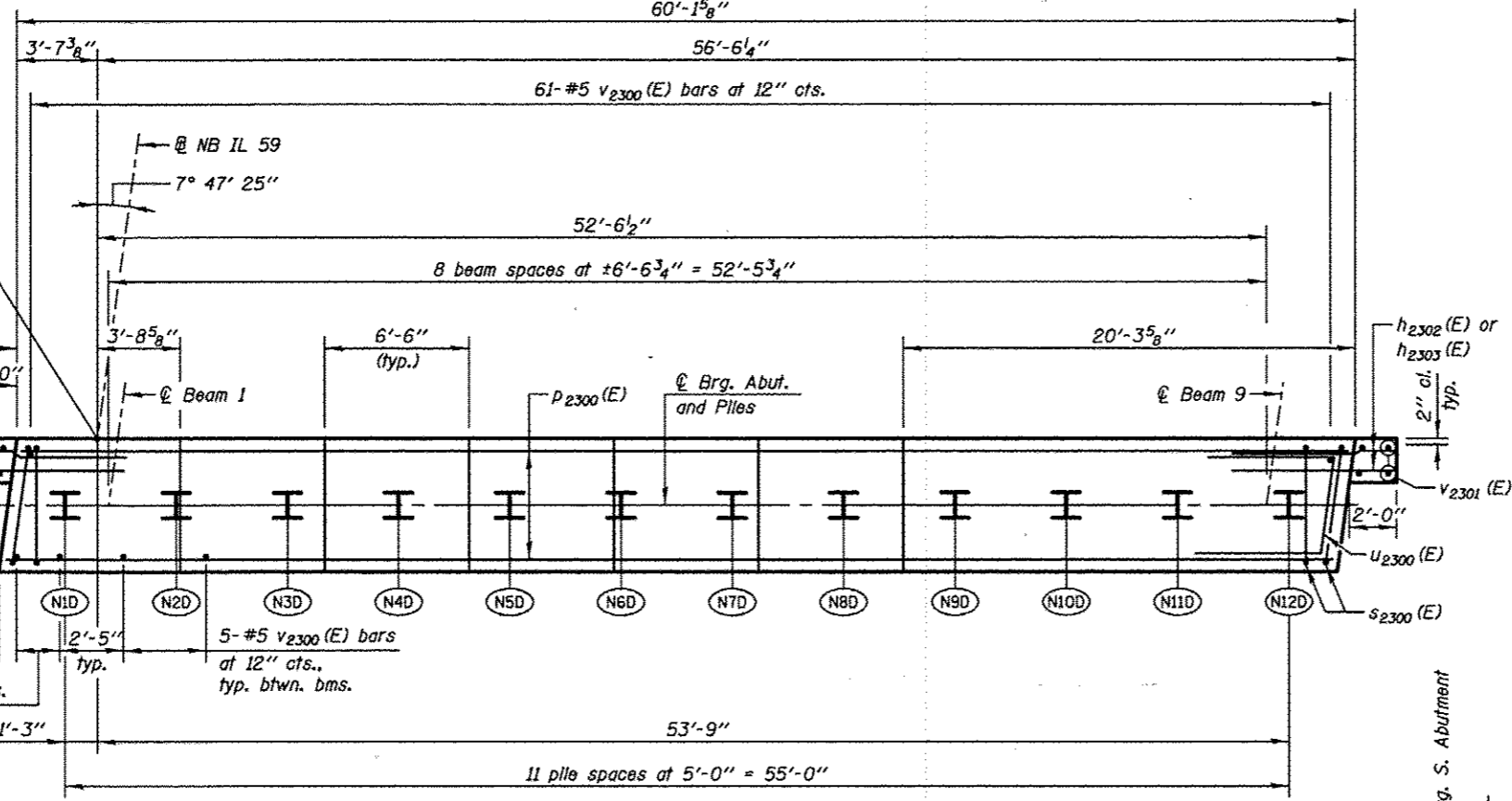


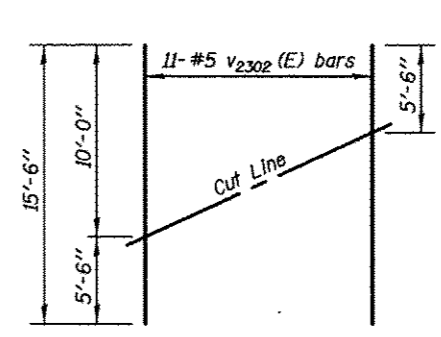
**ELEVATION**  
(Looking North)



**SEC. THRU ABUT.**



**PLAN - NORTH ABUTMENT**  
(NB Bridge)

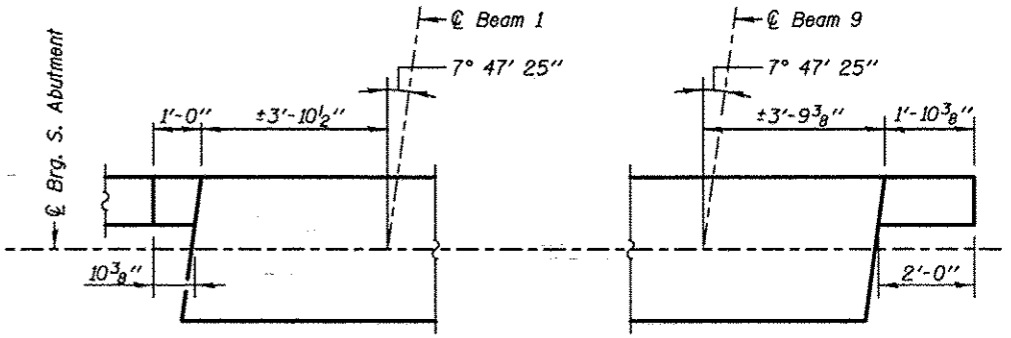


**FIELD CUTTING DIAGRAM**

Order V2302 (E) full length. Cut as shown and use remainder of bars in opposite face.

**BEARING SEAT ELEVATIONS**

BEAM	BRG. SEAT ELEVATION	STEP T- In ch
1	724.43	1 1/2"
2	724.56	1 5/8"
3	724.69	1 5/8"
4	724.83	1 5/8"
5	724.96	1 5/8"
6	725.10	1 5/8"
7	725.23	1 5/8"
8	725.23	
9	725.23	



**ABUTMENT CORNER DETAILS**

**PILE DATA**

Type & Size: Steel HP 14x73  
 Nominal Required Bearing: 567 Kips  
 Factored Resistance Available: 312 Kips  
 Est. Length: 65 ft  
 No. Production Piles: 11  
 No. Test Piles: 1

**NOTES**

Four steps monolithically with cap.  
 Bars indicated thus 20x3-#15 indicates 20 lines of bars with 3 lengths per line.  
 See Sheet SA-04 for additional Pile Layout details.  
 See Sheet SA-48 for details and Bill of Material.

See Sheet SA-50 for Chain Link Fence post spacing.

See Roadway Plans for additional Chain Link Fence details.

**LEGEND**

E.F. Each Face  
 (NID) Pile Number

**MIN. BAR LAP**

Vertical Bars      Horizontal Bars  
 #5 - 2'-7"      #5 - 2'-11"  
 #7 - 4'-8"