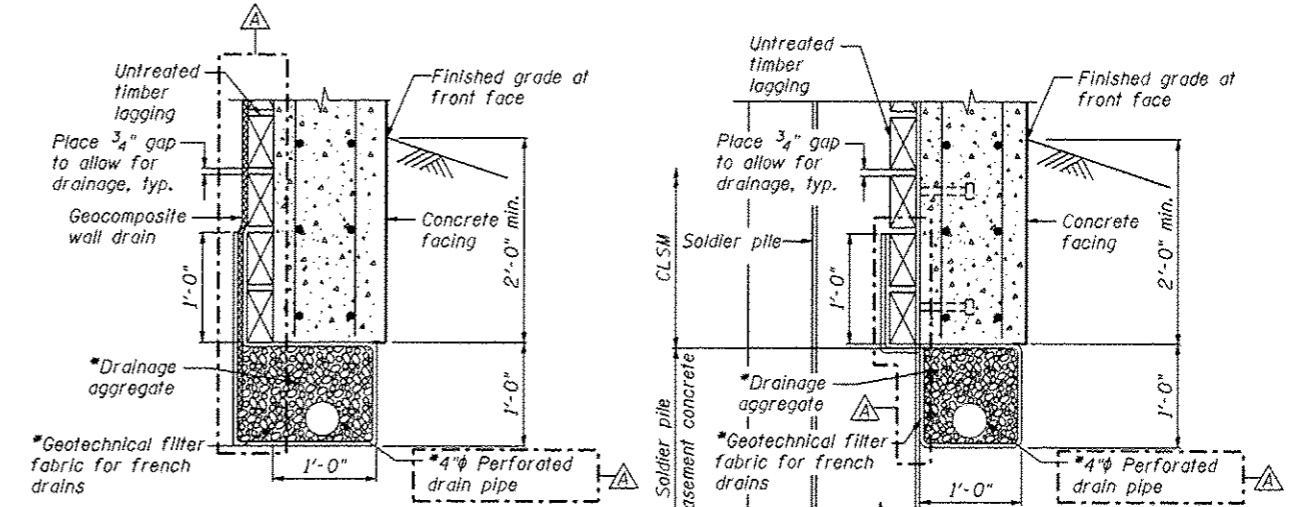


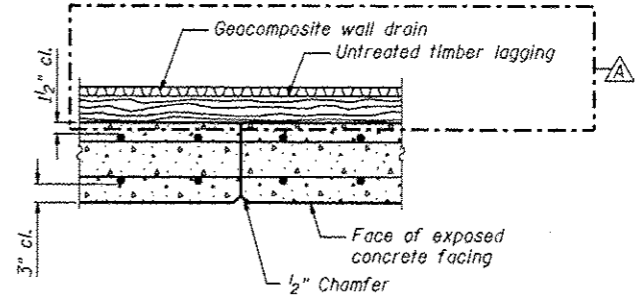
SECTION THRU DRILLED SOLDIER PILE WALL



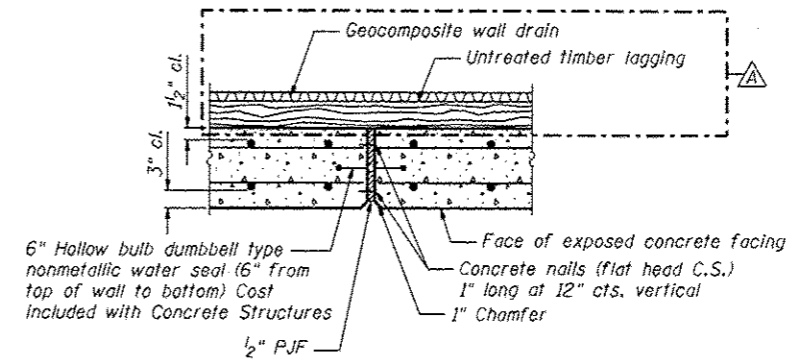
BETWEEN SOLDIER PILES AT SOLDIER PILES

PIPE UNDERDRAIN DETAIL

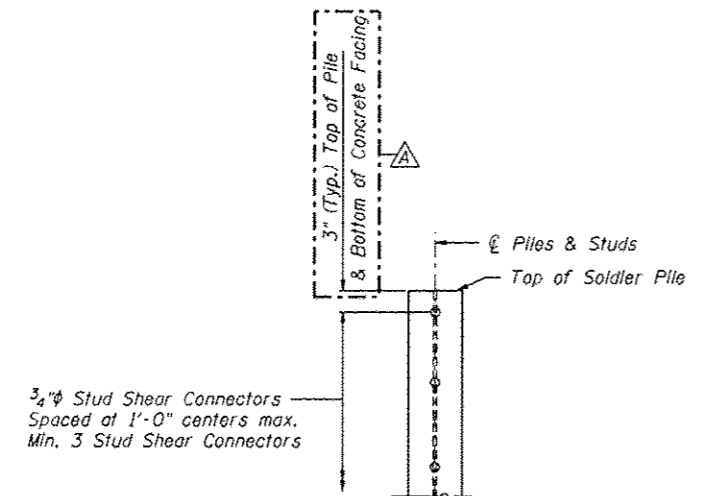
*Included in the cost of "Pipe Underdrains for Structures"



CONSTRUCTION JOINT DETAIL

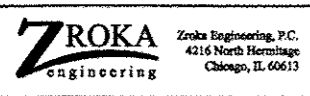


EXPANSION JOINT DETAIL



DETAIL OF SHEAR STUD PLACEMENT

FILE NAME: 160131-10636-025-Details.dwg



Zroka Engineering, P.C.
4216 North Hermitage
Chicago, IL 60613

USER NAME = SAW	DESIGNED - LAS	REVISED 12/17/2012 L.A.S.
	CHECKED - DAZ	REVISED
PLOT SCALE = 5/8" = 1"	DRAWN - SAW	REVISED
PLOT DATE = 12/12/2012	CHECKED - JLA	REVISED

STATE OF ILLINOIS
DEPARTMENT OF TRANSPORTATION

DETAILS
STRUCTURE NUMBER 022-W066

SHEET NO. SE-5 OF SE-11 SHEETS

F.A.P. RTE.	SECTION	COUNTY	TOTAL SHEETS	SHEET NO.
338/1L 59	(112 & 113) WRS-5	DUPAGE	963	677
CONTRACT NO. 60131			ILLINOIS FED. AID PROJECT	