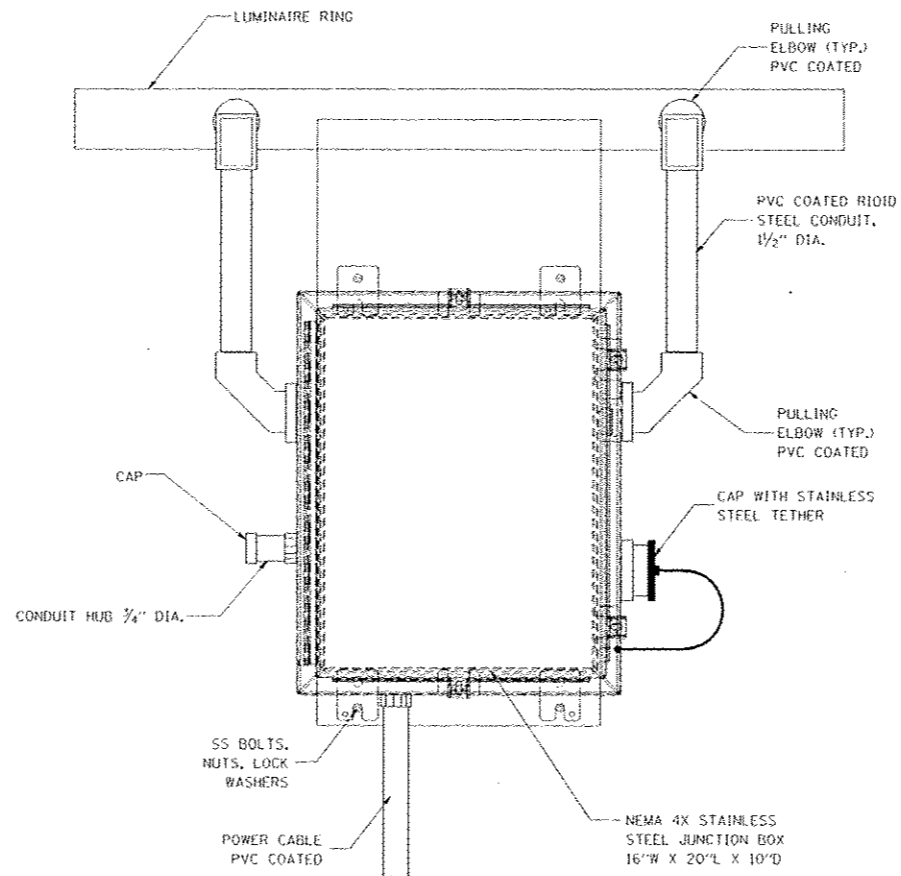
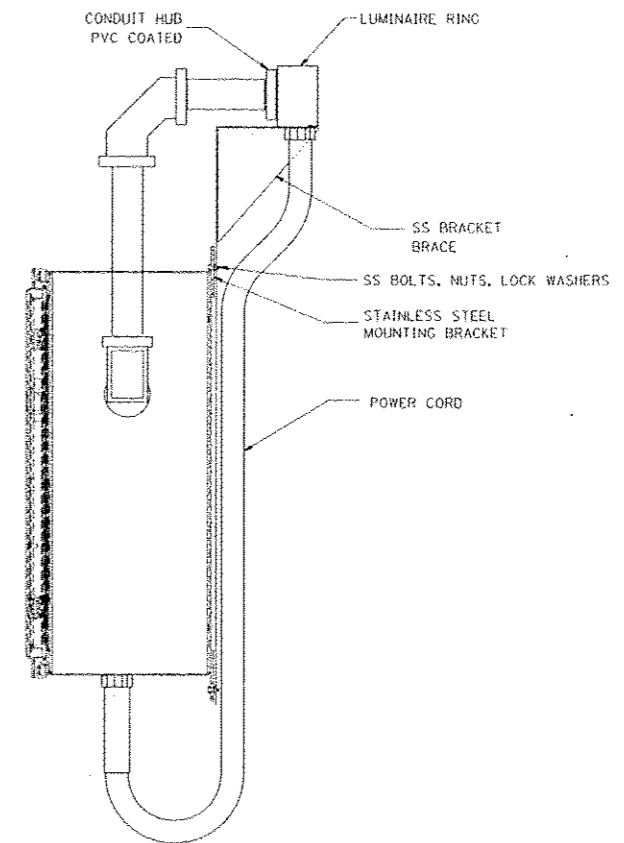


DETAIL--"D"

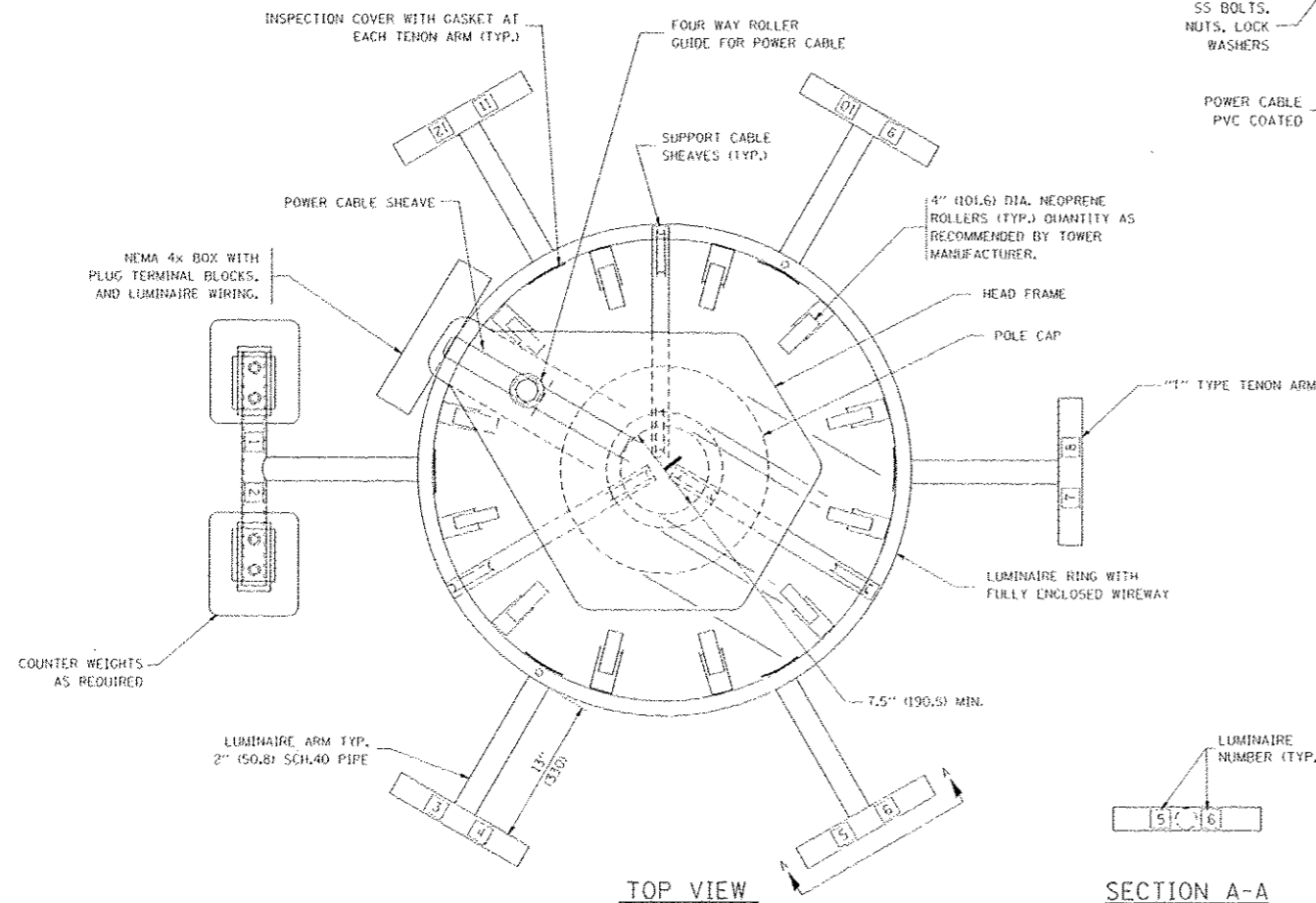


FRONT VIEW
N.T.S.



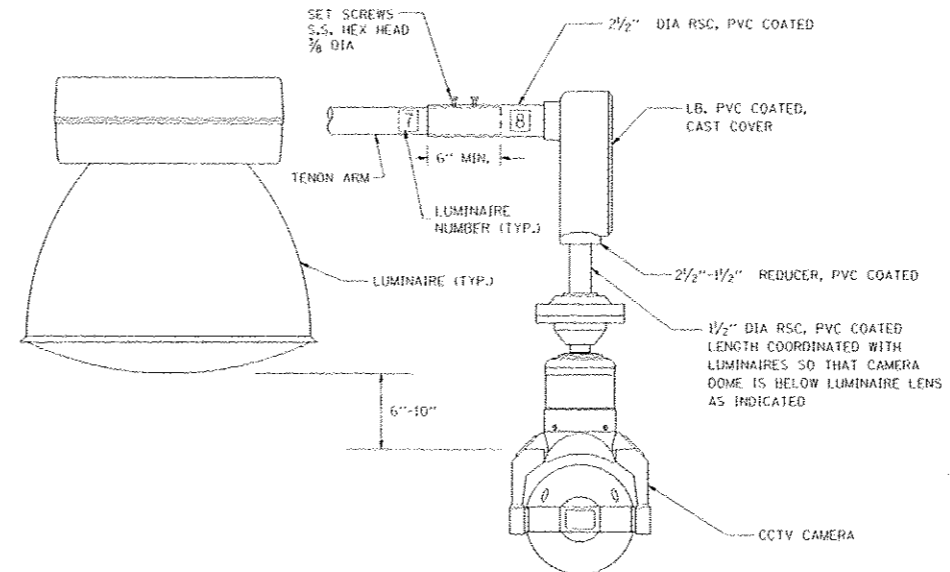
SIDE VIEW
N.T.S.

LUMINAIRE RING TERMINAL BOX



TOP VIEW

SECTION A-A



CCTV CAMERA MOUNTING DETAIL

NOTES:

- LUMINAIRE WIRES SHALL EXTEND 24 INCHES (609 mm) LONGER THAN THEIR RESPECTIVE TENON ARM AND SHALL BE TRAINED BACK INTO THE ARM WHICH SHALL THEN BE CLOSED WITH A CAP AS SPECIFIED. ALL WIRES SHALL BE CAPPED WITH HEAT SHRINK INSULATING BOOTS. CRIMP CAPS ARE UNACCEPTABLE. ALL RING WIRES SHALL BE TAGGED WITH WIRE MARKERS AT BOTH ENDS. THE TENON ARMS SHALL ALSO BE TAGGED CORRESPONDING TO THE WIRING CONTAINED WITHIN.
- SPLICING WILL NOT BE ALLOWED WITHIN THE LUMINAIRE RING.
- ALL TOWER SHAFT HARDWARE, SUCH AS GROUND LUGS, JUNCTION BOXES, HARDWARE FOR THE HANDHOLE DOOR, INCLUDING THE HANDLE/LATCH MECHANISM, HINGE AND DOOR STOP, SHALL BE STAINLESS STEEL. ALL CONDUIT AND CONDUIT FITTINGS SHALL BE PVC COATED GALVANIZED STEEL.
- ALL MULTI-CONDUCTOR CABLES SHALL BE FITTED WITH A HEAT-SHRINK MULTI-LEG BOOT. THE BOOT SHALL MEET MILITARY SPECIFICATION MIL-1-81765/1.

FILE NAME: W:\distr\622234\hse290.dgn	USER NAME: jaysa	DESIGNED: R. TOMSONS 08-04-03	REVISIONS:	STATE OF ILLINOIS DEPARTMENT OF TRANSPORTATION	HIGH MAST LIGHT TOWER 90 FT TO 110 FT (27 m TO 34 m)	F.A. R.T.L. 338	SECTION (112 & 113) WRS-5	COUNTY	TOTAL SHEETS 963	SHEET NO. 713
PLOT SCALE: 1/8" = 1'-0"	DATE: 11/22/2010	CHECKED: R. TOMSONS 09-02-10	CONTRACT NO. 60131	SCALE: NONE	SHEET NO. 2 OF 3 SHEETS	STA. 10 STA.	FEB. ROAD DIST. NO. 1 ILLINOIS/FEB. AID PROJECT			