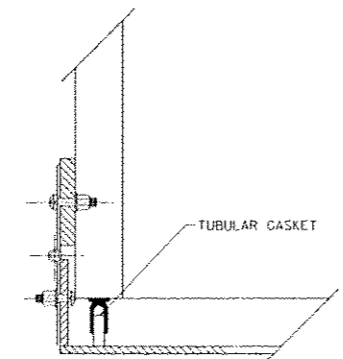
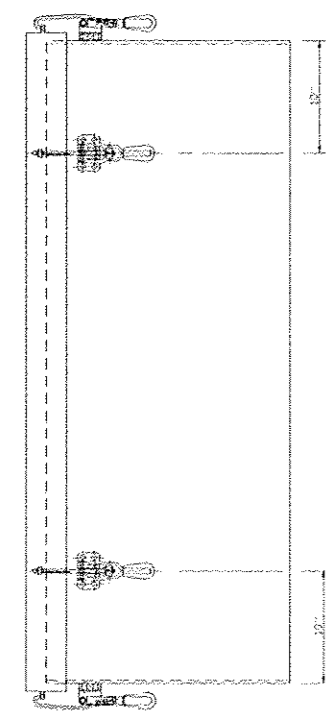


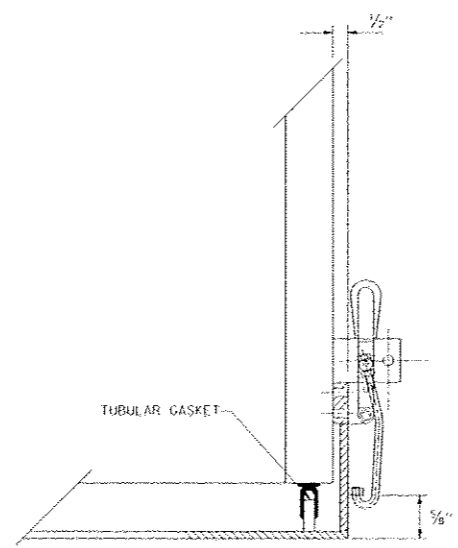
TOP VIEW



HINGE DETAIL

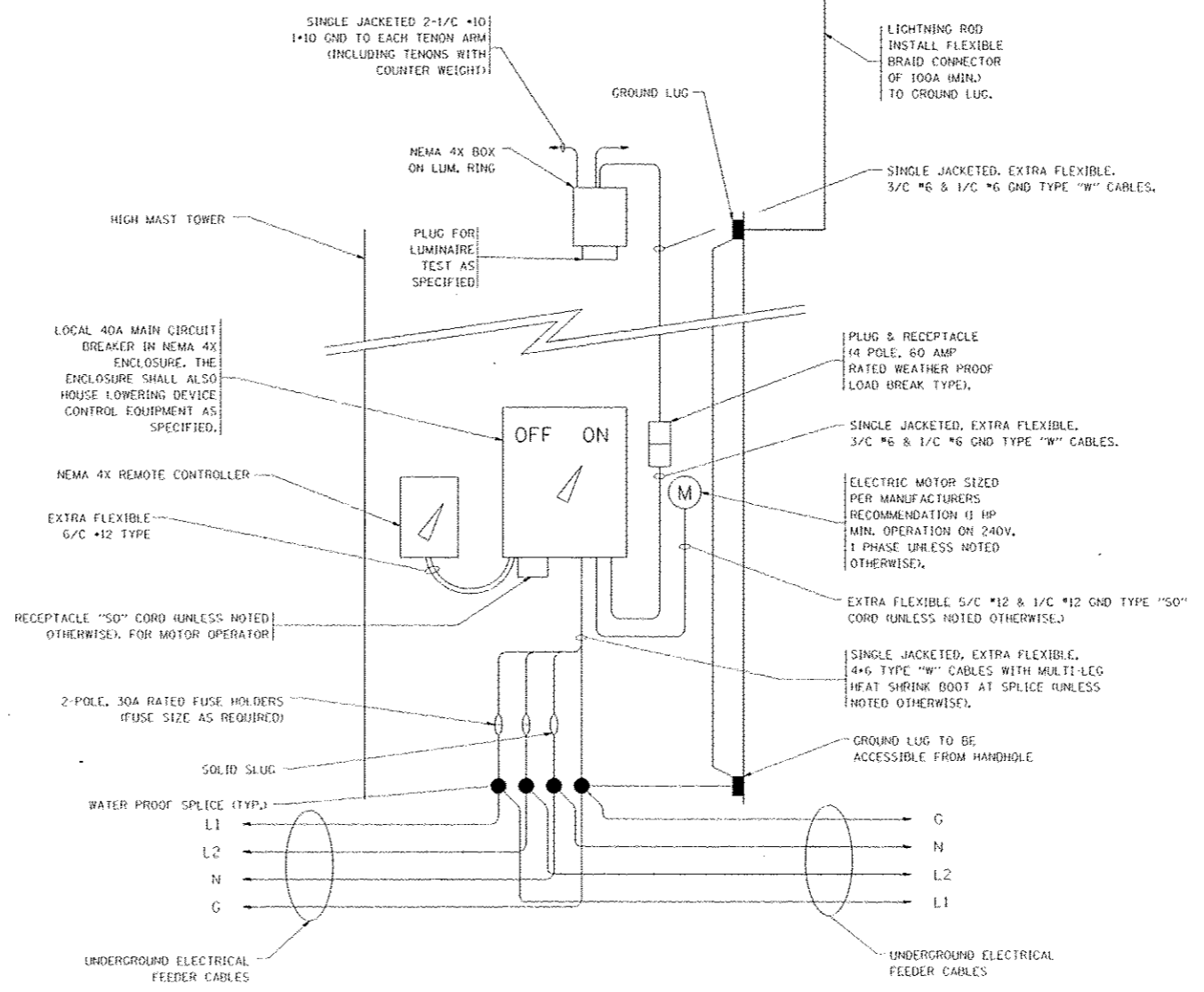


SIDE VIEW

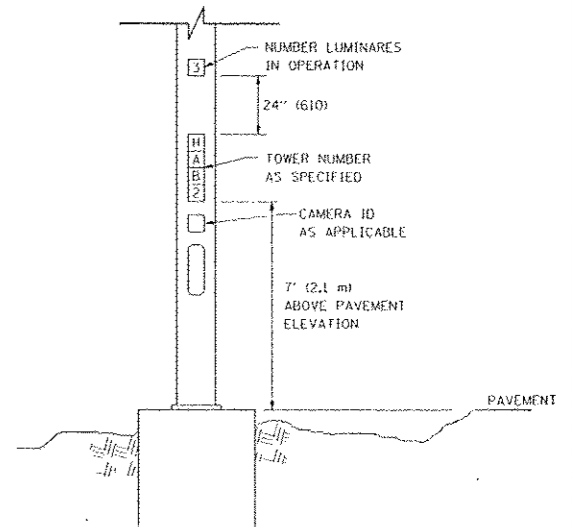


LATCH DETAIL

HANDHOLE DOOR DETAILS



HIGH MAST POLE WIRING DIAGRAM



LIGHT TOWER NUMBERING DETAIL

FILE NAME: W:\distrd\22434\hml500.dgn

USER NAME: teygn
 PLOT SCALE: 5/8\"/>

DESIGNED -
 DRAWN -
 CHECKED -
 DATE -

REVISED - R. TOMSONS 08-04-03
 REVISED - R. TOMSONS 05-11-09
 REVISED - R. TOMSONS 09-02-10
 REVISED -

STATE OF ILLINOIS
 DEPARTMENT OF TRANSPORTATION

HIGH MAST LIGHT TOWER
 90 FT TO 110 FT (27 m TO 34 m)

SCALE: NONE SHEET NO. 3 OF 3 SHEETS STA. TO STA.

P.A. RTE.	SECTION	COUNTY	TOTAL SHEETS	SHEET NO.
338	(112 & 113)WRS-5	DUPAGE	963	714
BE-500			CONTRACT NO. 60131	
FEB. ROAD DIST. NO. 1 ILLINOIS FEB. AID PROJECT				