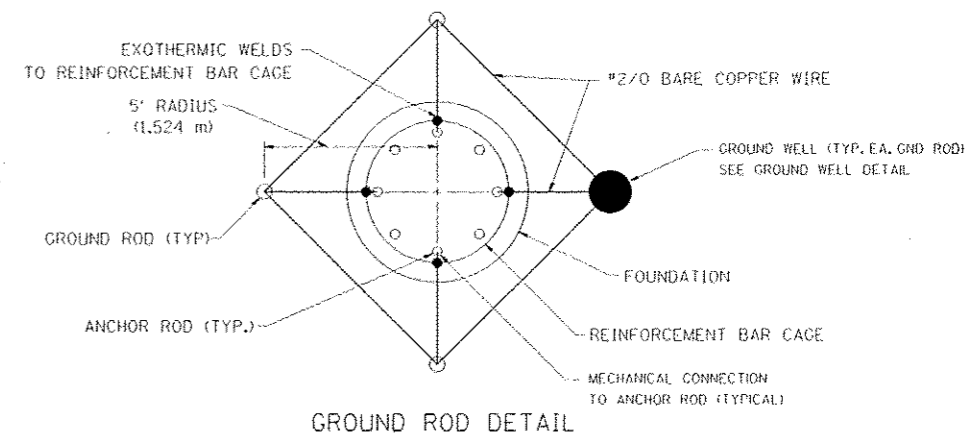
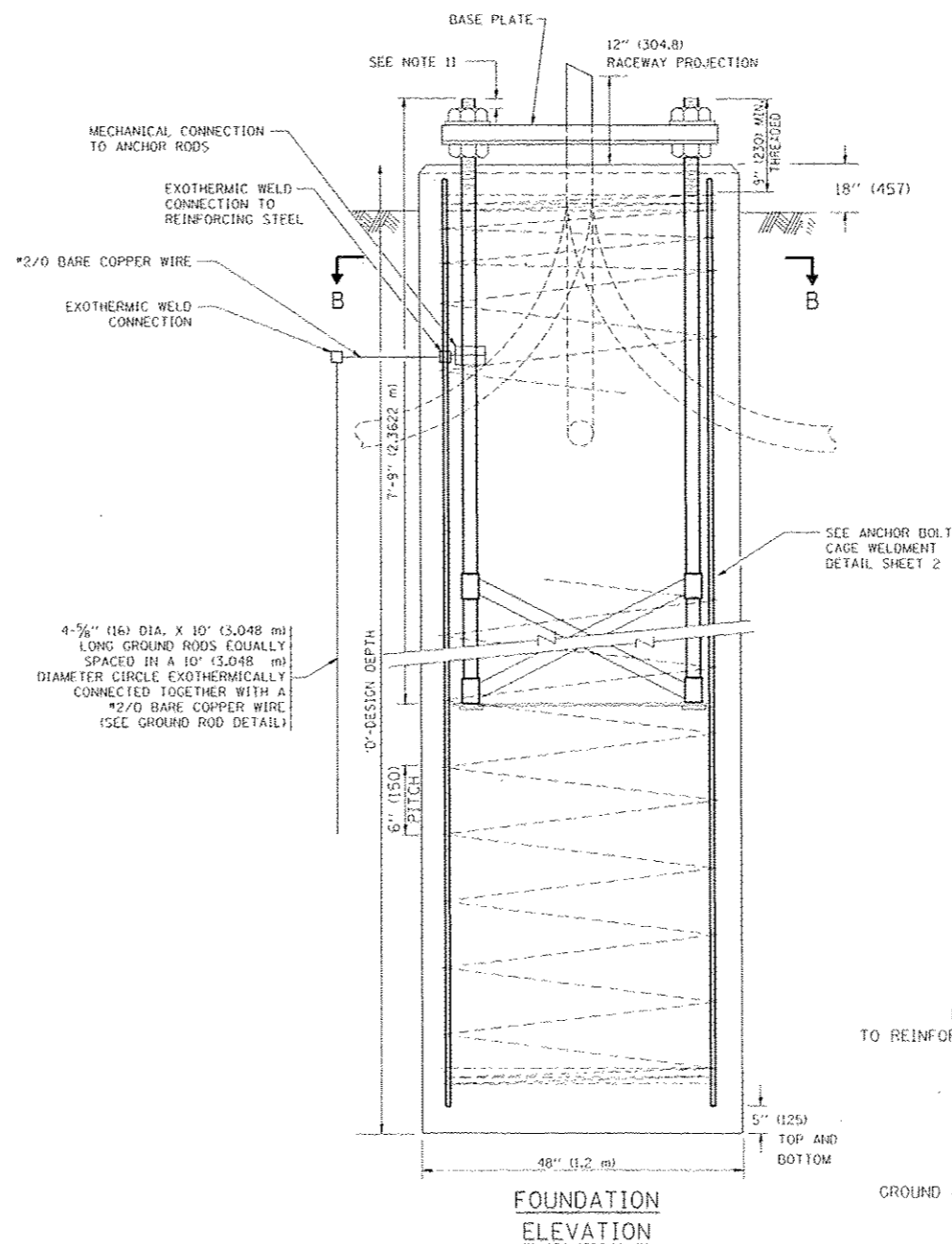
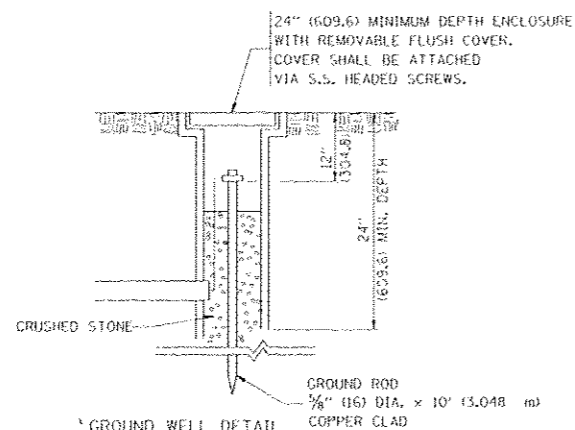
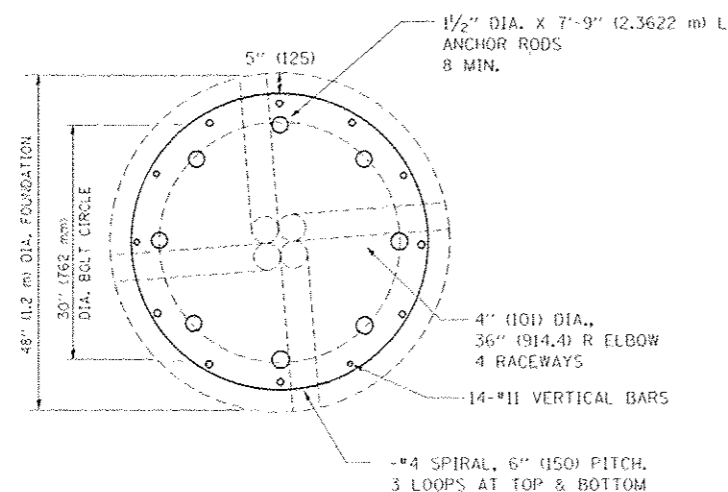


SHAFT LENGTH ( D ) TABLE				
SOIL CONSISTENCY		AVERAGE STRENGTH	LIGHT TOWER MOUNTING HEIGHT	
		0u In tsf (0u In kPa)	100 FT. (30 m)	110 FT. (34 m)
COHESIVE	SOFT	<0.5 (<50)	22'-6" (6.9 m)	24'-0" (7.2 m)
	MEDIUM	0.5 TO 1 (50 TO 100)	18'-6" (6.9 m)	19'-0" (5.8 m)
	STIFF	1 TO 2 (100 TO 200)	15'-6" (4.7 m)	16'-0" (5.5 m)
	VERY STIFF	2 TO 4 (200 TO 400)	13'-6" (4.1 m)	14'-0" (4.2 m)
	HARD	>4 (>400)	12'-0" (3.6 m)	12'-6" (3.7 m)
GRANULAR		N in BLOWS/FT. (N in BLOWS/0.3m)		
	VERY LOOSE	<5 (<5)	18'-0" (5.4 m)	18'-6" (5.6 m)
	LOOSE	5 TO 10 (5 TO 10)	16'-6" (4.9 m)	17'-0" (5.1 m)
	MEDIUM	10 TO 25 (10 TO 25)	15'-6" (5.2 m)	16'-0" (5.9 m)
	DENSE	25 TO 50 (25 TO 50)	15'-0" (4.5 m)	15'-6" (4.6 m)
	VERY DENSE	>50 (>50)	14'-0" (4.2 m)	14'-6" (4.4 m)

### DESIGN NOTES

- (1) ALL DIMENSIONS IN INCHES (MILLIMETERS) UNLESS OTHERWISE SHOWN
- (2) THE ANCHOR RODS SHALL BE VERTICAL NO ADJUSTMENT SHALL BE ALLOWED AFTER THE FOUNDATION IS PLACED.
- (3) THE GAP BETWEEN THE FOUNDATION AND THE BASE PLATE SHALL BE ENCLOSED WITH A STAINLESS STEEL SCREEN FASTENED WITH A STAINLESS STEEL BAND.
- (4) THE TOP OF THE FOUNDATION TO 18" (450) BELOW GRADE SHALL BE FORMED.
- (5) SURFACE WATER WILL NOT BE PERMITTED TO ENTER THE HOLE AND ALL WATER WHICH MAY HAVE INFILTRATED INTO THE HOLE SHALL BE REMOVED BEFORE PLACING CONCRETE.
- (6) THE LIGHT TOWER SHALL NOT BE ERECTED UNTIL AFTER THE CONCRETE HAS BEEN CURED ACCORDING TO ARTICLE 1020.13.
- (7) ANCHOR RODS SHALL BE STRAIGHT AND SHALL BE ACCORDING TO AASHTO M 314 OR ASTM F1554, GRADE 725(GRADE 105) AND GALVANIZED ACCORDING TO ARTICLE 1006.9.
- (8) ANCHOR ROD INFORMATION SHALL BE SUBMITTED FOR APPROVAL AND SHALL BE FULLY COORDINATED FOR APPROVAL WITH TOWER MANUFACTURER REQUIREMENTS.
- (9) REINFORCEMENT BARS SHALL BE ACCORDING TO ARTICLE 1006.10
- (10) TWO ANCHOR RODS OPPOSITE EACH OTHER SHALL HAVE THE ANCHOR ROD THREADS PEENED AFTER NUTS ARE INSTALLED.
- (11) A MINIMUM OF THREE FULL THREADS SHALL REMAIN EXPOSED AFTER LIGHT TOWER IS INSTALLED.
- (12) ALL GROUNDING INDICATED IN THE PLANS SHALL BE INCLUDED IN THE COST OF THE LIGHT TOWER FOUNDATION AND SHALL NOT BE PAID FOR SEPARATELY.



FILE NAME	USER NAME	DESIGNED	REVISED
DATE	DATE	DATE	DATE

STATE OF ILLINOIS  
DEPARTMENT OF TRANSPORTATION

HIGH MAST LIGHT TOWER  
90 FT TO 110 FT (27 m TO 34 m) FOUNDATION DETAIL

P.A. RTE.	SECTION	COUNTY	TOTAL SHEETS	SHEET NO.
328	(112 & 113)WRS-5	DUPAGE	963	715
BE-501		CONTRACT NO. 60131		
FED. ROAD DIST. NO. 1 ILLINOIS FED. AID PROJECT				

SCALE: NONE SHEET NO. 1 OF 2 SHEETS STA. TO STA.