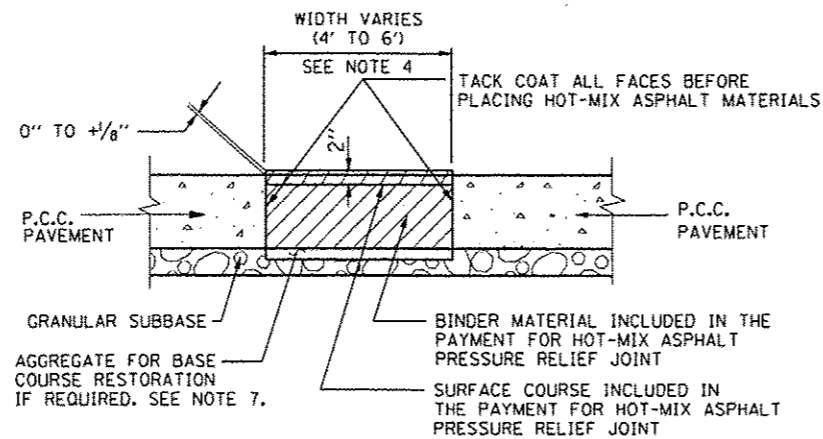


HOT-MIX ASPHALT PRESSURE RELIEF JOINT  
WITH PROPOSED OVERLAY

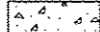
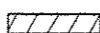

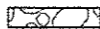


HOT-MIX ASPHALT PRESSURE RELIEF JOINT  
WITHOUT PROPOSED OVERLAY

NOTES FOR HOT-MIX ASPHALT PRESSURE RELIEF JOINT:

1. PAVEMENT SHALL BE SAWCUT OR BULKHEADED FULL DEPTH ALONG A NEAT LINE PERPENDICULAR TO THE EDGE OF PAVEMENT AT LOCATIONS SHOWN ON THE PLANS OR AS DETERMINED BY THE ENGINEER. PAVEMENT BETWEEN SAWCUTS SHALL BE REMOVED AND THE AREA SHALL BE CLEANED TO THE SATISFACTION OF THE ENGINEER.
2. THE IN-PLACE DENSITY SHALL NOT BE LESS THAN 95% OF THE BULK SPECIFIC GRAVITY ("d") DENSITY, EXCEPT THAT IF A TARGET DENSITY HAS BEEN PREVIOUSLY ESTABLISHED FOR THE SAME MIX, THE IN-PLACE DENSITY OF EACH LIFT OF THE MIX WILL BE ACCEPTED AT 95% OF THE BULK SPECIFIC GRAVITY ("d") DENSITY, OR 98% OF THE TARGET DENSITY WHICHEVER IS THE LEAST.
3. THE REMOVAL OF EXISTING LONGITUDINAL TIE BARS OR REINFORCEMENT SHALL BE CONSIDERED INCIDENTAL TO HOT-MIX ASPHALT PRESSURE RELIEF JOINT.
4. EXACT LOCATIONS AND WIDTH OF HOT-MIX ASPHALT PRESSURE RELIEF JOINTS WILL BE DETERMINED BY THE ENGINEER IN THE FIELD.
5. THE CONTRACT UNIT PRICE PER SQUARE FOOT FOR HOT-MIX ASPHALT PRESSURE RELIEF JOINT SHALL INCLUDE THE COST OF THE SAW CUT OR BULKHEAD FULL DEPTH, REMOVAL OF EXISTING PAVEMENT, HOT-MIX ASPHALT MATERIALS (TACK COAT), AND HOT-MIX ASPHALT CONCRETE MATERIALS.
6. REFER TO THE CONTRACT DOCUMENTS FOR THE REQUIRED BINDER AND SURFACE COURSE MATERIALS.
7. IF REQUIRED, AGGREGATE FOR BASE COURSE RESTORATION WILL BE MEASURED AND PAID FOR IN TONS, PER SECTION 351.

LEGEND

-  P.C.C. PAVEMENT
-  PROPOSED SURFACE COURSE (SEE DETAIL FOR HOT-MIX ASPHALT P.R.J. W/OUT PROPOSED OVERLAY)
-  PROPOSED OVERLAY
-  GRANULAR SUBBASE

CONTRACT 60I31 SHEET 876 OF 963



DATE	REVISIONS

HOT-MIX ASPHALT  
PRESSURE RELIEF JOINTS

STANDARD A3-00

APPROVED  DATE 1-1-2007