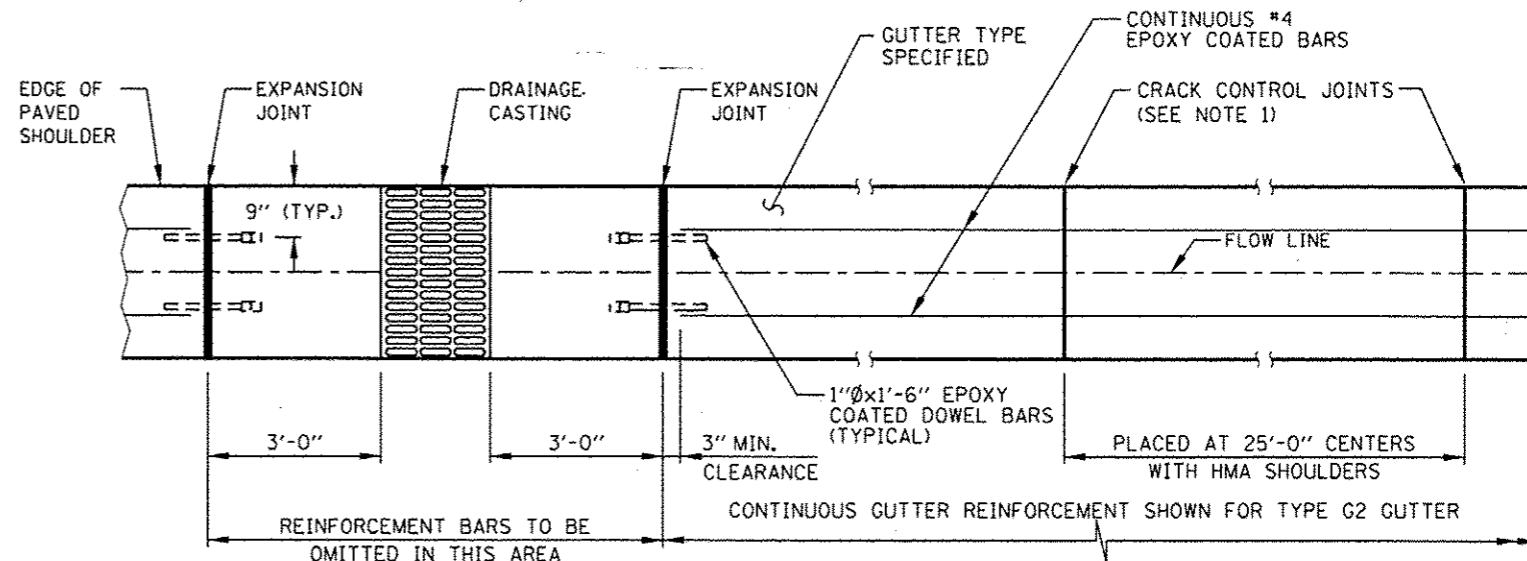
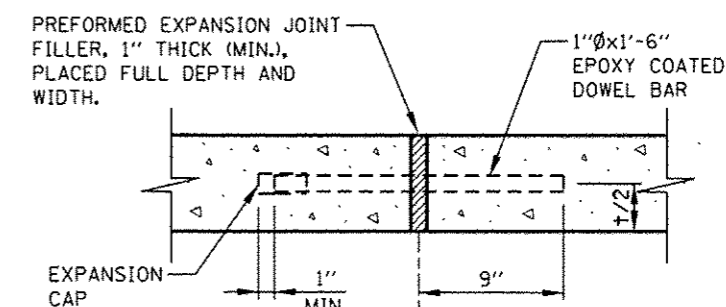


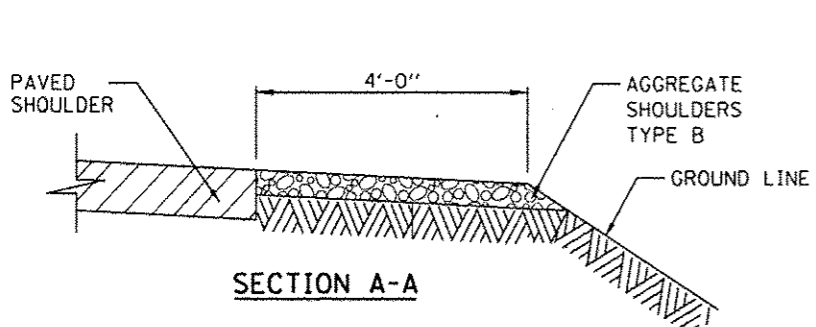
**GUTTER TRANSITION TERMINATION**



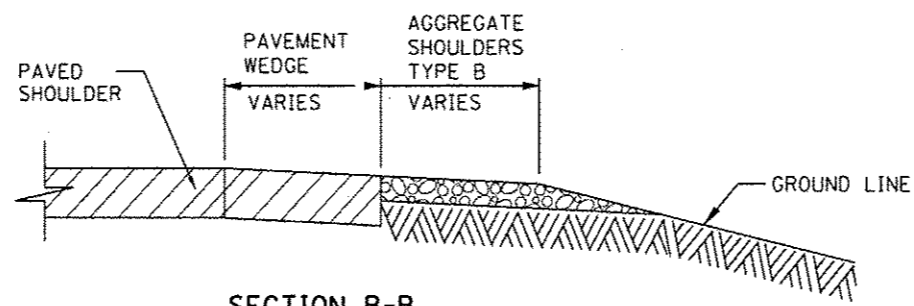
**GUTTER PLAN**



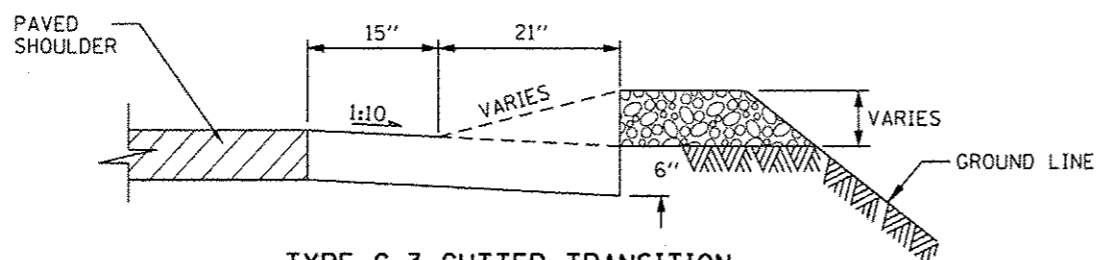
**EXPANSION JOINT**



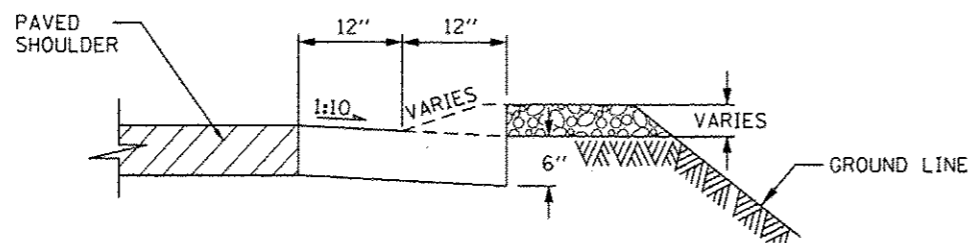
**SECTION A-A**



**SECTION B-B  
HMA SHOULDER TRANSITION**

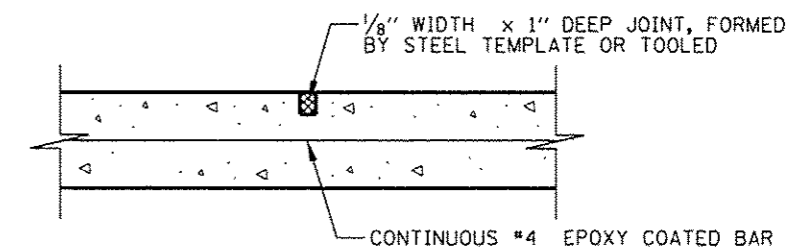


**TYPE G-3 GUTTER TRANSITION**



**TYPE G-2 GUTTER TRANSITION**

**SECTION C-C**



**CRACK CONTROL JOINT**

**EXPANSION-CRACK CONTROL JOINTS  
TYPE G-3/G-2 GUTTER**

CONTRACT 60I31 SHEET 890 OF 963  
SHEET 2 OF 2

**NOTES:**

- GUTTER CRACK CONTROL JOINTS TO ALIGN IN PROLONGATION WITH PCC SHOULDER JOINTS WHERE EXISTING.
- SEE SHEET 1 OF THIS SERIES FOR NOTES.

APPROVED.....  
Paul Kovacs  
CHIEF ENGINEER  
DATE 2-7-2012...



GUTTER AND CURB DETAILS

STANDARD B1-04