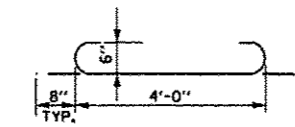
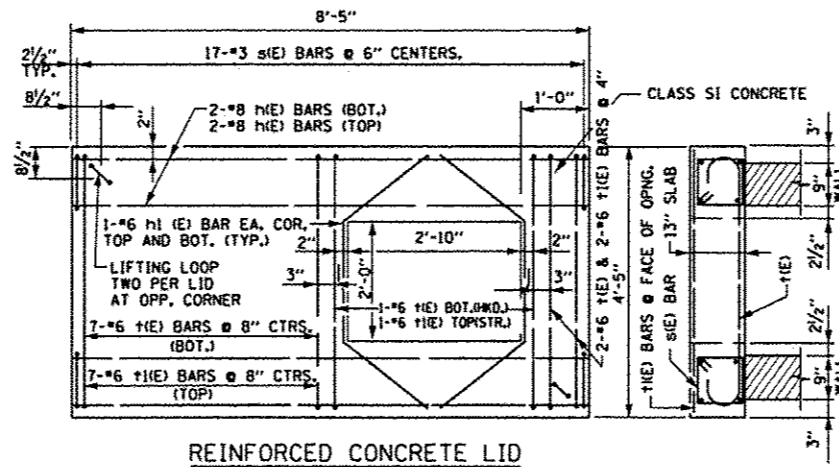


HALF PLAN

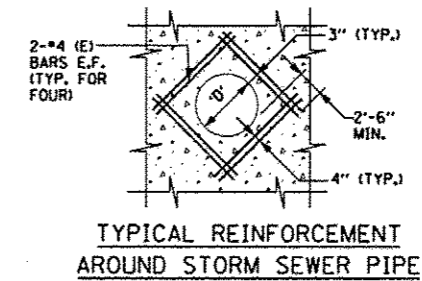


BAR \uparrow (E)

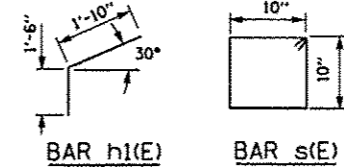


REINFORCED CONCRETE LID

DRAINAGE STRUCTURE TYPE G-3, MODIFIED

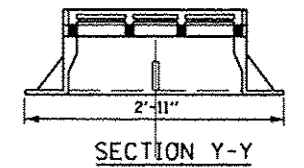


TYPICAL REINFORCEMENT AROUND STORM SEWER PIPE

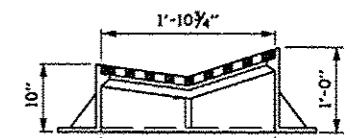


BAR h(E)

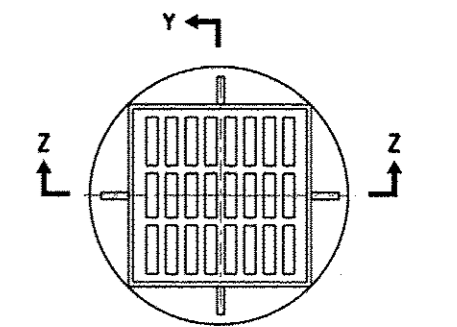
BAR s(E)



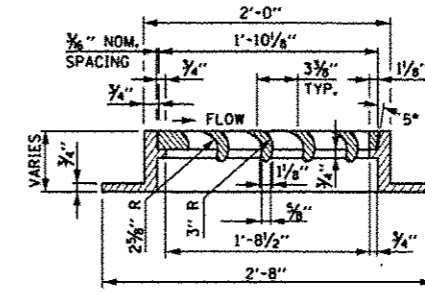
SECTION Y-Y



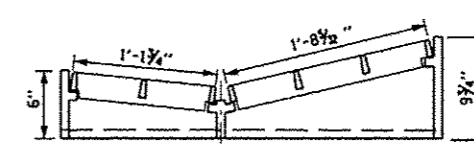
SECTION Z-Z



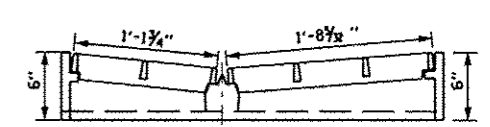
TYPE G-2 FRAME & GRATE



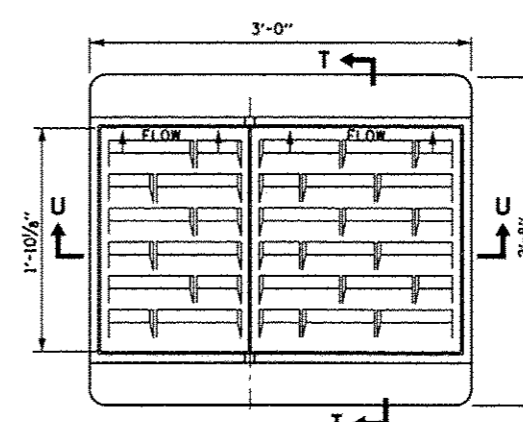
SECTION T-T



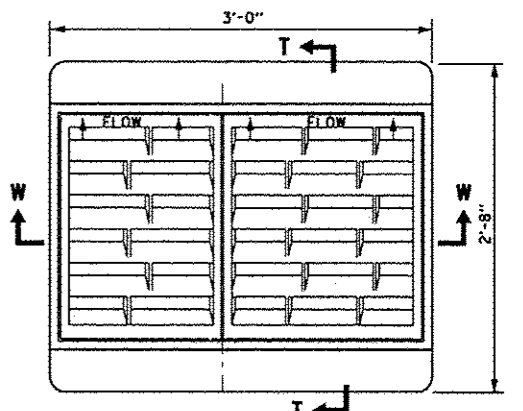
SECTION U-U



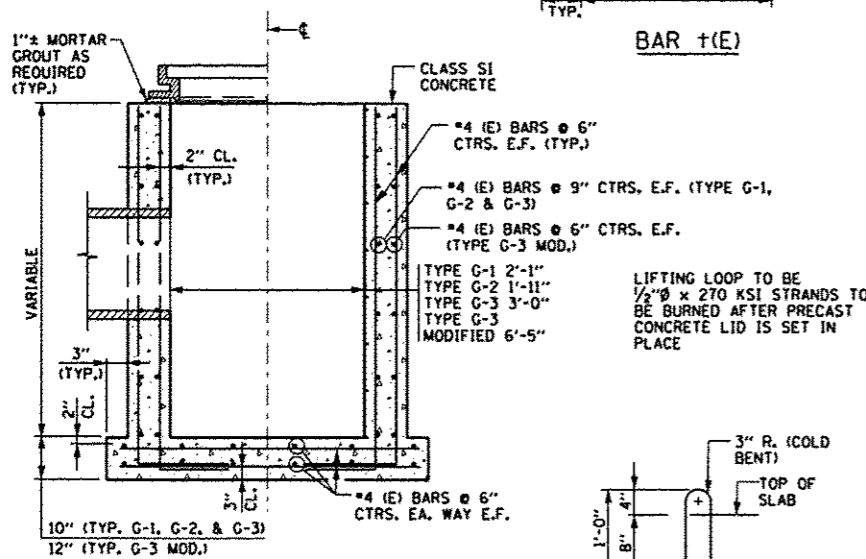
SECTION W-W



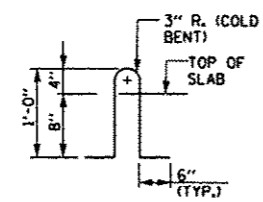
TYPE G-3 FRAME & GRATE



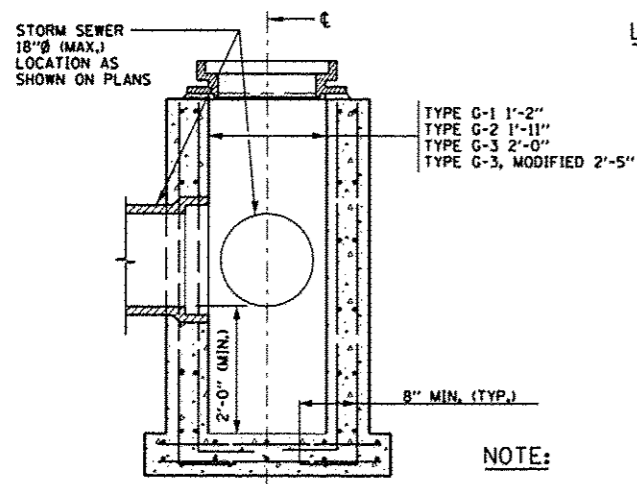
TYPE G-3, MODIFIED FRAME & GRATE



SECTION A-A



LIFTING LOOP DETAIL



SECTION B-B

CATCH BASIN TYPE "G" SERIES

NOTE:
POSITION OF OPENING VARIES FROM 3'-2" TO 5'-4" MEASURED FROM BACK OF GUTTER LINE

NOTES:

1. PRECAST CONCRETE UNITS WILL BE ACCEPTABLE PROVIDED THEY MEET ALL THE REQUIREMENTS AS SHOWN ON THIS DRAWING. BASE EXTENSION OF 3" NOT REQUIRED FOR PRECAST UNITS. FABRICATION DRAWINGS SHOWING PIPE OPENINGS, REINFORCEMENT AND OTHER PERTINENT DIMENSIONS WILL BE REQUIRED FOR EACH UNIT, FOR APPROVAL BY THE ENGINEER PRIOR TO FABRICATION.
2. CATCH BASINS TYPE G-SERIES SHALL BE USED IN THE SWALE ON THE HIGH SIDE OF SUPERELEVATED PAVEMENT.
3. CATCH BASINS TYPE G-2 SHALL BE USED ALONG RAMPS WHERE G-2 GUTTER IS PROVIDED.
4. CATCH BASINS TYPE G-3 SHALL BE USED WHERE G-3 GUTTER IS PROVIDED.
5. CATCH BASINS TYPE G-3 MODIFIED SHALL BE USED IN PAVEMENT SECTIONS AND ON THE LOW SIDE OF SUPERELEVATED PAVEMENT.
6. CATCH BASINS TYPE G-3 MODIFIED SHALL BE PROVIDED WITH A REINFORCED CONCRETE SLAB TOP AS DETAILED ON THIS DRAWING.
7. TYPE S FRAME AND GRATE SHALL BE NEENAH R-3338-F MODIFIED BY THE ADDITION OF THE FOURTH SIDE OF THE FRAME, OR APPROVED EQUAL.
8. TYPE G-2 FRAME AND GRATE SHALL BE NEENAH R-3508-A2 OR APPROVED EQUAL.
9. TYPE G-3 FRAME AND GRATE SHALL BE NEENAH INLET FOR ROLLTYPE CURB R-3501-U OR EAST JORDAN IRON WORKS 10004 OR APPROVED EQUAL.
10. TYPE G-3, MODIFIED FRAME AND GRATE SHALL BE NEENAH INLET FOR ROLL TYPE CURB SPECIAL R-3501-UJ OR APPROVED EQUAL.
11. MORTAR OR SEALER SHALL BE USED WHEN A PRECAST REINFORCED CONCRETE LID IS USED.
12. REINFORCEMENT BARS DESIGNATED (E) SHALL BE EPOXY COATED.

CONTRACT 60I31 SHEET 892 OF 963



DATE	REVISIONS
6-1-2009	DELETE REINF. CONC. LID TYPE S FRAME & GRATE
2-7-2012	REVISED REINFORCEMENT BARS

CATCH BASINS TYPES G AND TYPE G MODIFIED, FRAMES AND GRATES TYPE G-2, G-3 & G-3 MODIFIED

STANDARD B8-02

APPROVED: *Paul Kovacs* DATE 6-1-2009...
CHIEF ENGINEER