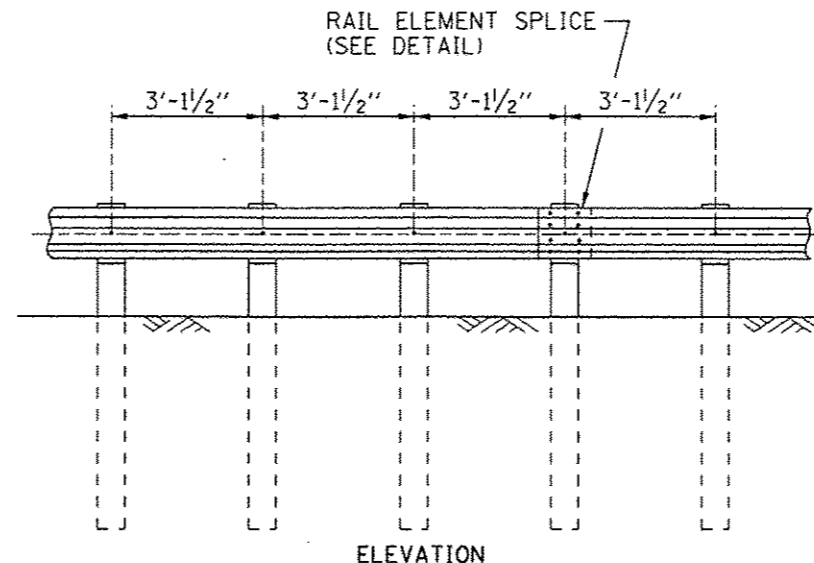


ELEVATION

**TYPE A**

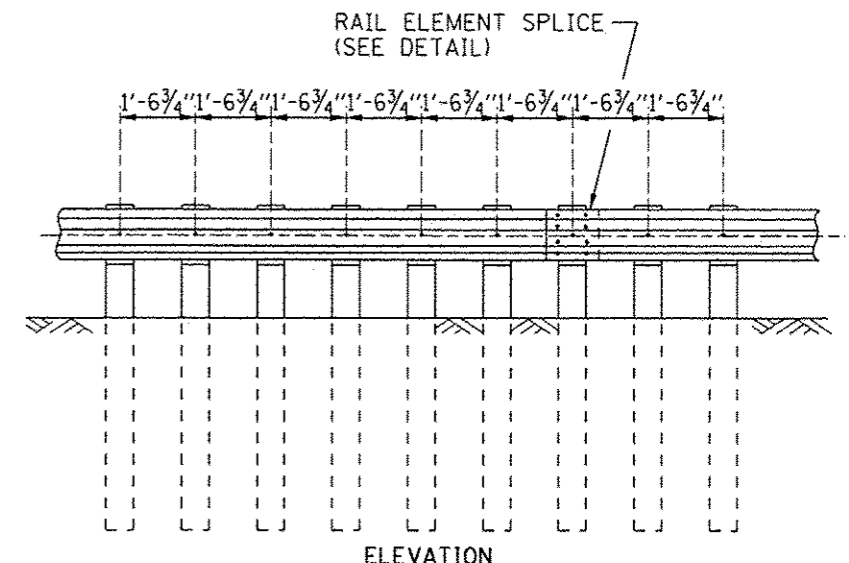
6'-3" TYPICAL POST SPACING



ELEVATION

**TYPE B**

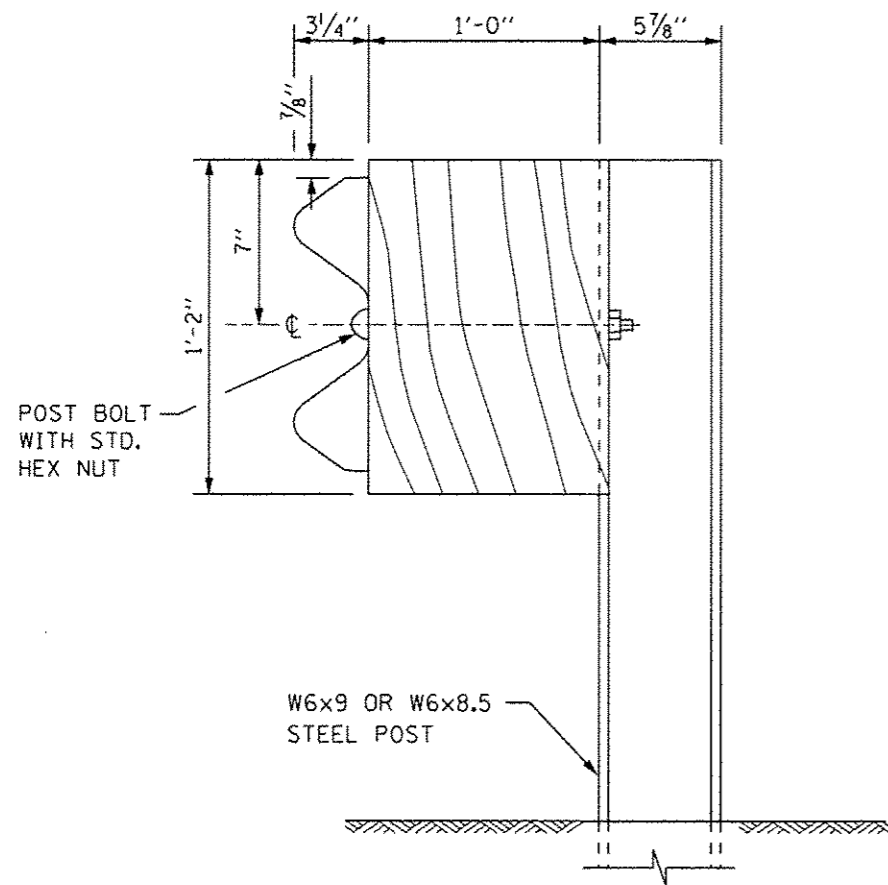
3'-1/2" 1/2 POST SPACING



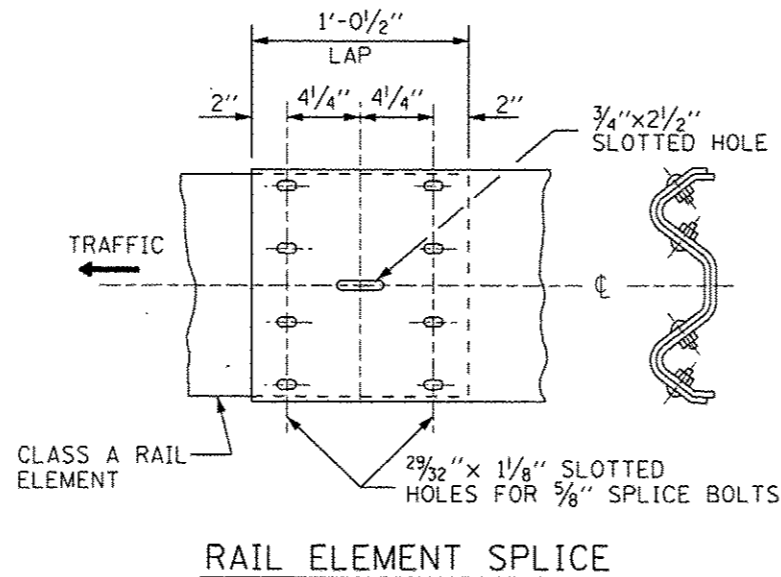
ELEVATION

**TYPE C**

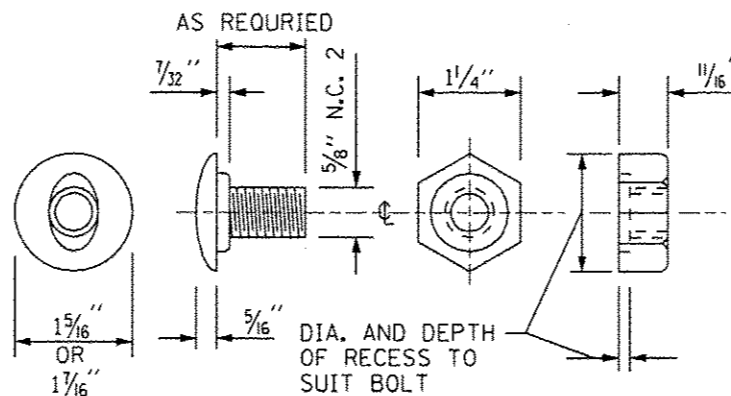
1'-6 3/4" 1/4 POST SPACING



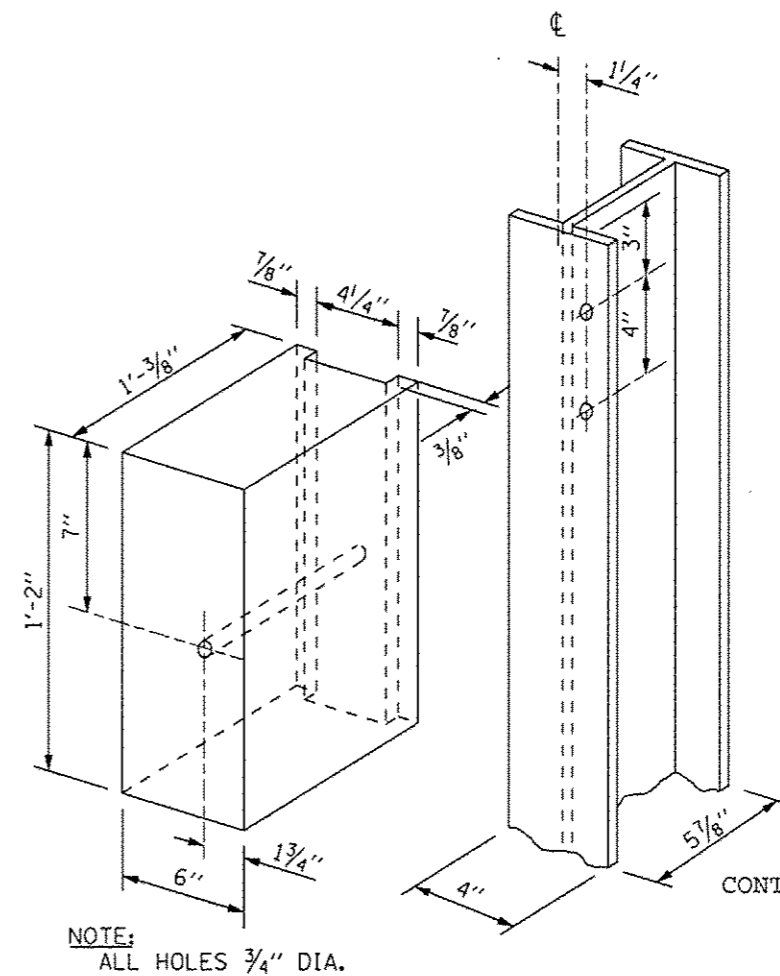
STEEL POST CONSTRUCTION



RAIL ELEMENT SPLICE

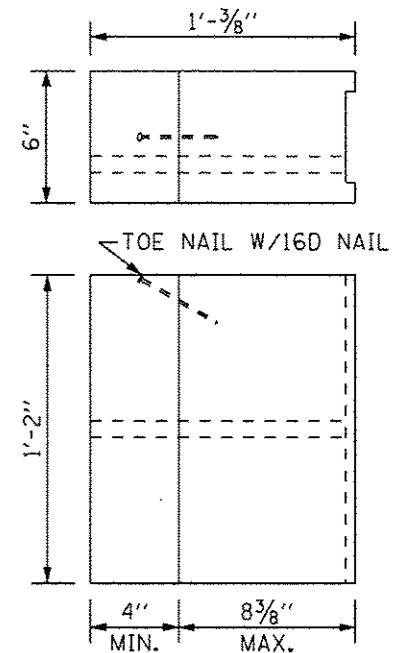


POST OR SPLICE BOLT & NUT



NOTE: ALL HOLES 3/4" DIA.

WOOD BLOCK-OUT AND STEEL POST DETAILS



TWO-PIECE WOOD BLOCKOUT OPTION

CONTRACT 60I31 SHEET 898 OF 963  
SHEET 2 OF 4

**Illinois Tollway**  
*Open Roads for a Faster Future*

GALVANIZED STEEL PLATE  
BEAM GUARDRAIL

STANDARD C1-05

APPROVED *Paul Kovacs* CHIEF ENGINEER DATE 7-1-2009