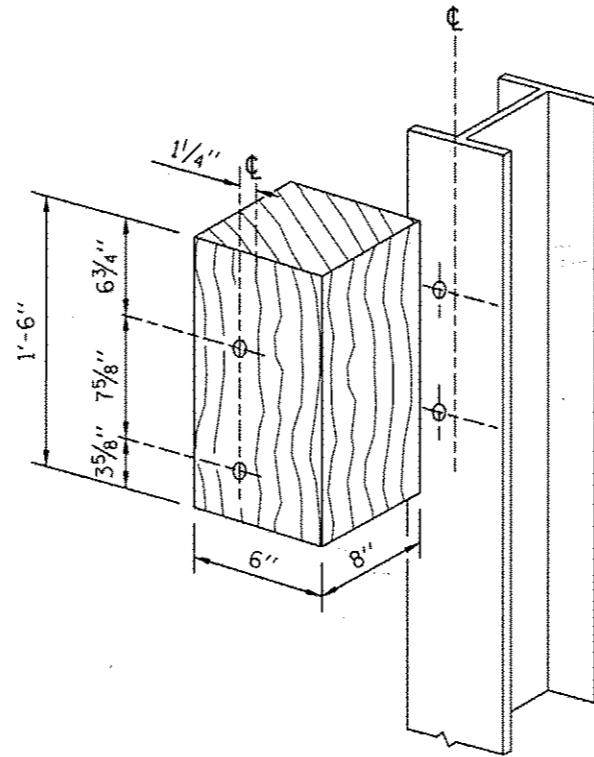
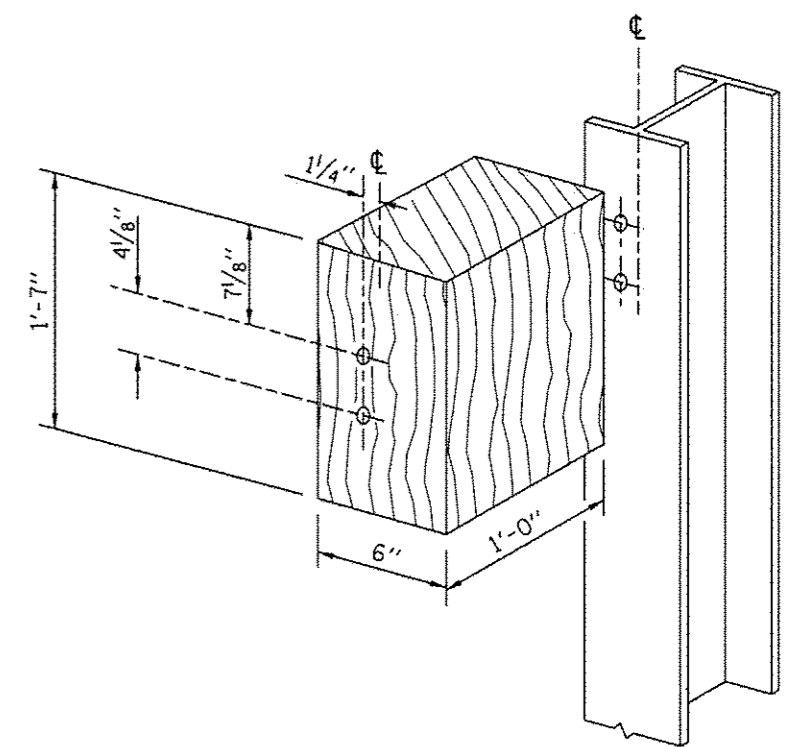


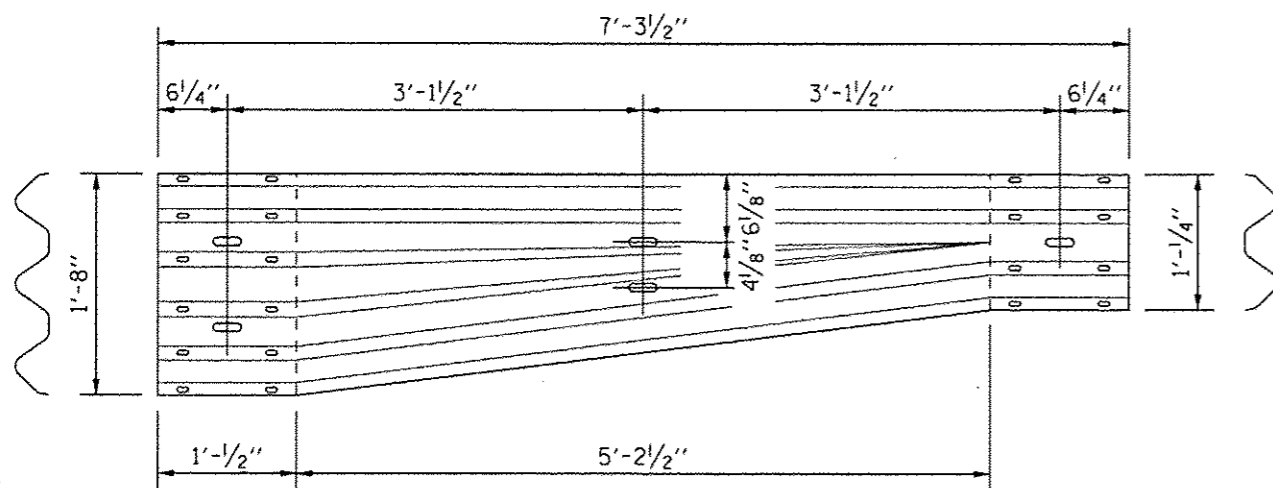
THRIE BEAM END SHOE DETAIL



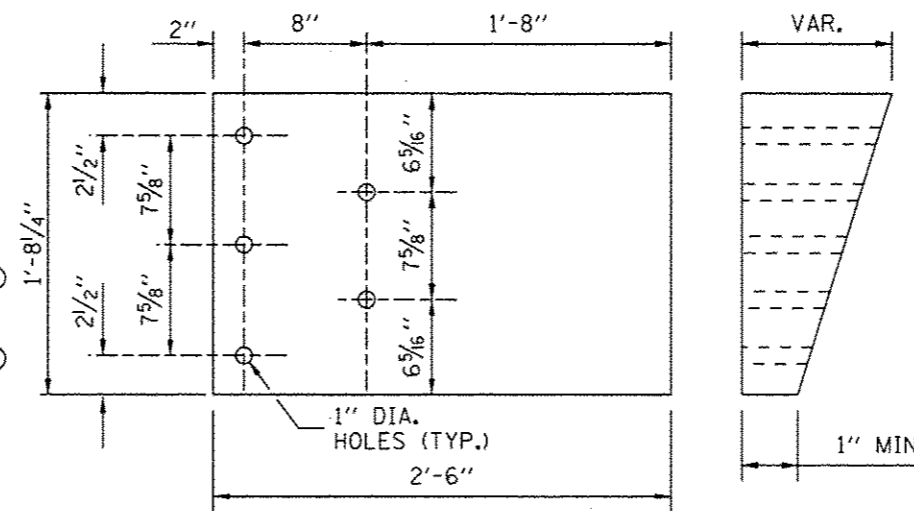
POSTS 1-11 WOOD BLOCKOUT DETAIL



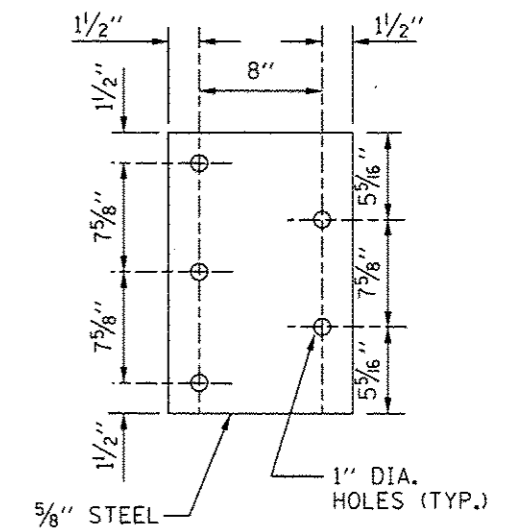
POST 12 WOOD BLOCKOUT DETAIL  
(SEE STANDARD C1 FOR POST 13-17 BLOCKOUTS.)



TRANSITION SECTION  
(10 GAUGE RAIL ELEMENT)



PARAPET WOOD BLOCK-OUT DETAIL



PARAPET STEEL BEARING PLATE DETAIL

(5 EACH INDIVIDUAL 5" x 5" x 5/8" STEEL PLATES WITH CENTERED 1" HOLES MAY BE SUBSTITUTED FOR THE PLATE SHOWN.)

CONTRACT 60I31 SHEET 918 OF 963  
SHEET 4 OF 4

APPROVED *Paul Kovacs* DATE 7-1-2009  
CHIEF ENGINEER

NOTE:

SEE SHEET 1 OF THIS SERIES FOR NOTES.

**Illinois Tollway**  
Open Roads for a Faster Future

TRAFFIC BARRIER  
TERMINAL, TYPE T6

STANDARD C9-03