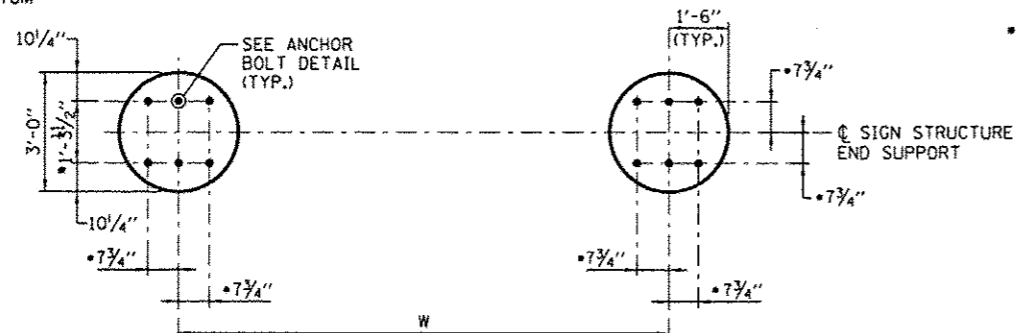


3 HOOPS MINIMUM TOP AND BOTTOM (TYP.)

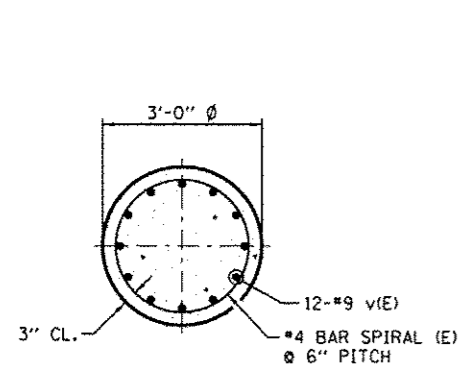


PLAN

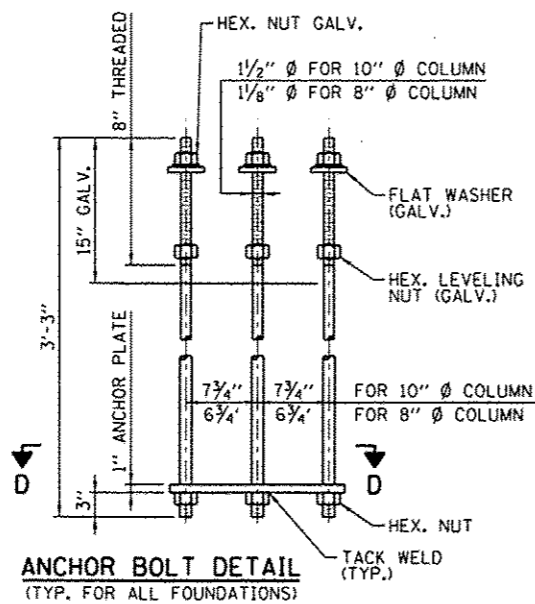
(FOR 10" Ø COLUMN)

• FOR 8" Ø COLUMN USE 6 3/4" ANCHOR BOLT SPACING.

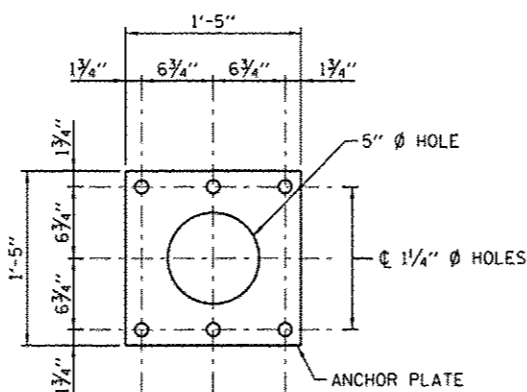
• ANCHOR ROD SHALL BE GROUND OR FILED TO BRIGHT METAL AT CLAMP AND GROUND CABLE CONNECTION.



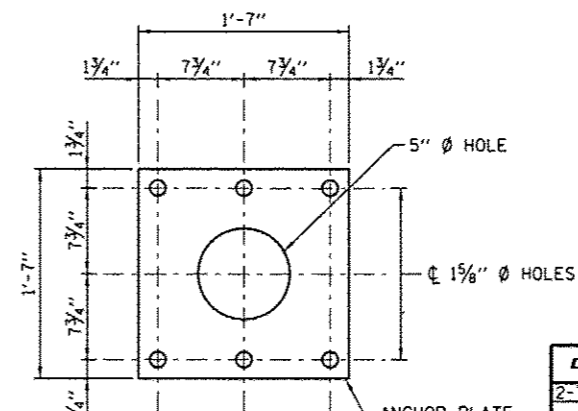
SECTION A-A  
(TYPICAL BOTH SHAFTS)



ANCHOR BOLT DETAIL  
(TYP. FOR ALL FOUNDATIONS)



SECTION D-D  
(FOR 8" Ø COLUMN)



SECTION D-D  
(FOR 10" Ø COLUMN)

NOTES:

1. THE FOUNDATION DETAILS SHOWN ARE BASED ON COMMON COHESIVE SOIL CONDITIONS (SILTY OR SANDY CLAY), WITH AN AVERAGE  $Q_u > 1.25$  TON/SO. FT. NO STANDARD DRILLED SHAFT FOUNDATIONS WERE DESIGNED OR DETAILED FOR COHESION LESS SOIL CONDITIONS. REGARDLESS THE DESIGN SECTION ENGINEER (DSE) MUST CONDUCT A SUBSURFACE INVESTIGATION AT EACH OVERHEAD SIGN FOUNDATION TO DETERMINE THE ACTUAL SOIL PROPERTIES. SHOULD THE INVESTIGATION REVEAL THE PRESENCE OF COHESION LESS SOIL OR COHESIVE SOILS WITH PROPERTIES LESS THAN THE AVERAGES INDICATED HEREIN, THE DSE SHALL DESIGN AND DETAIL THE DRILLED SHAFT FOUNDATIONS TO MEET THE ACTUAL SOIL CONDITIONS.
2. ALL MATERIAL, FABRICATION, AND CONSTRUCTION REQUIREMENTS SHALL BE IN ACCORDANCE WITH SECTION 734 OF THE IDOT STANDARD SPECIFICATIONS.
3. CONCRETE SHALL BE PLACED MONOLITHICALLY, WITHOUT CONSTRUCTION JOINTS UNLESS NOTED OTHERWISE.
4. BACKFILL SHALL BE PLACED PER SECTION 502 OF THE IDOT STANDARD SPECIFICATION AND PRIOR TO ERECTION OF SUPPORT COLUMN.
5. A NORMAL SURFACE FINISH FOLLOWED BY A BRIDGE SEAT SEALER APPLICATION WILL BE REQUIRED ON CONCRETE SURFACES ABOVE THE LOWEST ELEVATION 6" BELOW FINISHED GROUND LINE. COST INCLUDED IN THE COST OF THE FOUNDATION.
6. ALL REBAR DESIGNATED (E) SHALL BE EPOXY COATED. REBAR SHALL BE POSITIONED SO THAT THERE WILL BE NO INTERFERENCE BETWEEN VERTICAL REINFORCEMENT AND ANCHOR BOLTS.
7. FURNISHING AND INSTALLING ALL CONDUIT, FITTINGS AND GROUNDING SYSTEM IS INCLUDED IN THE COST OF THE FOUNDATION.
8. NO SONOTUBES OR DECOMPOSABLE FORMS SHALL BE USED 6" BELOW THE FINISHED GROUND LINE. PERMANENT METAL FORMS OR OTHER SHIELDING MAY NOT BE LEFT IN PLACE BELOW THE ELEVATION WITHOUT THE ENGINEER'S WRITTEN PERMISSION. EXCAVATIONS SHALL BE DEWATERED BEFORE CONCRETE PLACEMENT IF DIRECTED BY THE ENGINEER AT NO ADDITION COST.

DESIGN SPECIFICATIONS:

THESE FOUNDATIONS ARE DESIGNED TO SATISFY THE 2009 AASHTO STANDARD SPECIFICATIONS FOR STRUCTURAL SUPPORTS FOR HIGHWAY SIGNS, LUMINAIRES, AND TRAFFIC SIGNALS, FIFTH EDITION.

DESIGN TABLE FOR DRILLED SHAFTS IN COHESIVE SOILS						
TRUSS No.	W	A	B	F	CLASS DS CONC. CY	REBAR POUNDS
T-60	4'-4 1/2"	2'-6"	25'-0"	27'-6"	14.4	2850
T-65	4'-8"	2'-6"	25'-0"	27'-6"	14.4	2850
T-70	5'-0"	2'-6"	25'-0"	27'-6"	14.4	2850
T-75	5'-3"	2'-6"	25'-0"	27'-6"	14.4	2850
T-80	5'-6"	2'-6"	25'-0"	27'-6"	14.4	2850
T-85	5'-9"	2'-6"	26'-0"	28'-6"	14.9	2950
T-90	5'-11 1/2"	2'-6"	26'-0"	28'-6"	14.9	2950
T-95	6'-2"	2'-6"	26'-0"	28'-6"	14.9	2950
T-100	6'-7 1/2"	2'-6"	26'-0"	28'-6"	14.9	2950
T-105	6'-11"	2'-6"	29'-0"	31'-6"	16.5	3260
T-110	7'-1 1/2"	2'-6"	29'-0"	31'-6"	16.5	3260
T-115	7'-4 1/2"	2'-6"	29'-0"	31'-6"	16.5	3260
T-120	7'-8"	2'-6"	29'-0"	31'-6"	16.5	3260

BAR LIST - EACH FOUNDATION  
(2 SHAFTS)

BAR	NUMBER	SIZE	LENGTH	SHAPE
v(E)	24	#9	F LESS 5"	—
#4 BAR SPIRAL (E) - SEE SIDE ELEVATION				

CONTRACT 60I31 SHEET 942 OF 963  
SHEET 1 OF 3



DATE	REVISIONS
2-7-2012	REVISED FOR DETAIL
	ADDED CONDUIT/GROUNDING DETAIL

OVERHEAD SIGN STRUCTURES  
SHOULDER FOUNDATION  
DRILLED SHAFT DETAILS

STANDARD F3-01

APPROVED *Paul Kovacs* CHIEF ENGINEER DATE 2-7-2012