

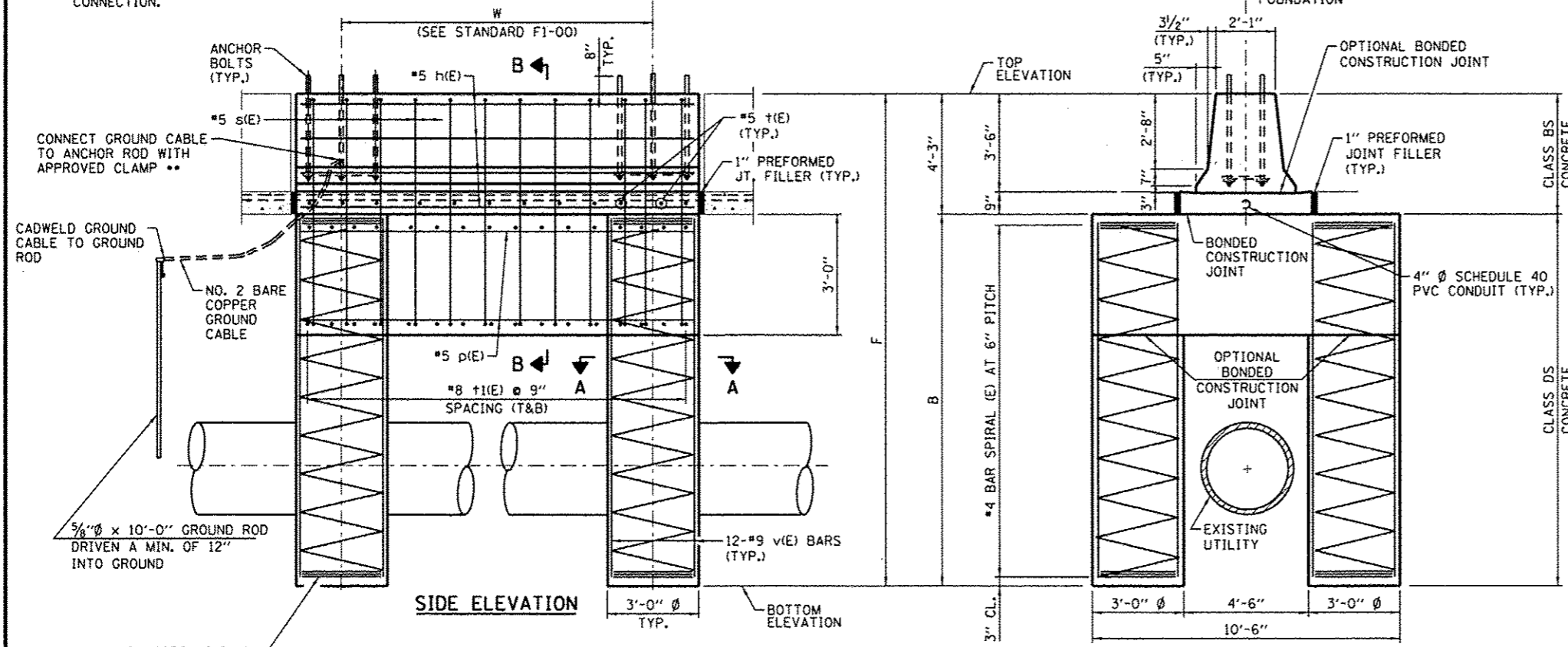
ANCHOR ROD SHALL BE GROUND OR FILED TO BRIGHT METAL AT CLAMP AND GROUND CABLE CONNECTION.

Ø SIGN STRUCTURE SUPPORT COLUMN & DRILLED SHAFT FOUNDATION (TYP.)

Ø SIGN STRUCTURE FOUNDATION

NOTES:

1. SEE SHEET 1 OF STANDARD F3-01 FOR GENERAL NOTES AND DESIGN CRITERIA.



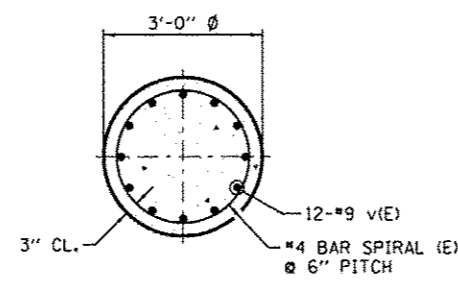
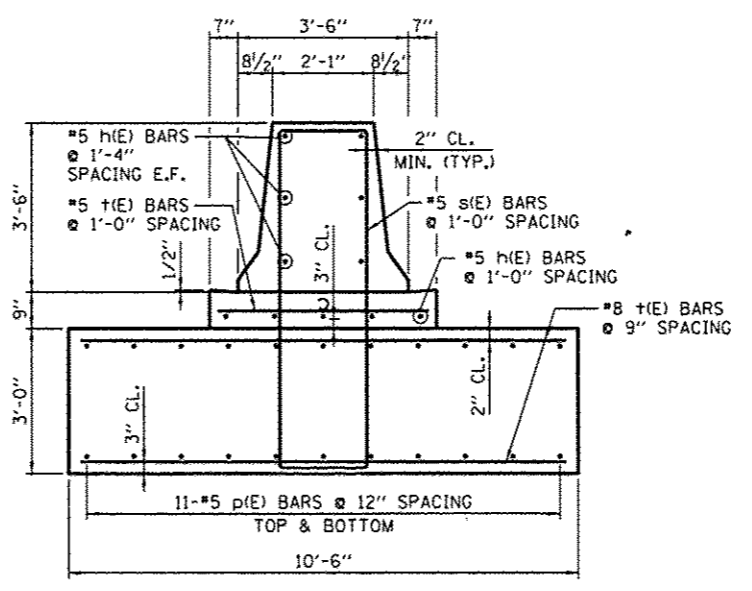
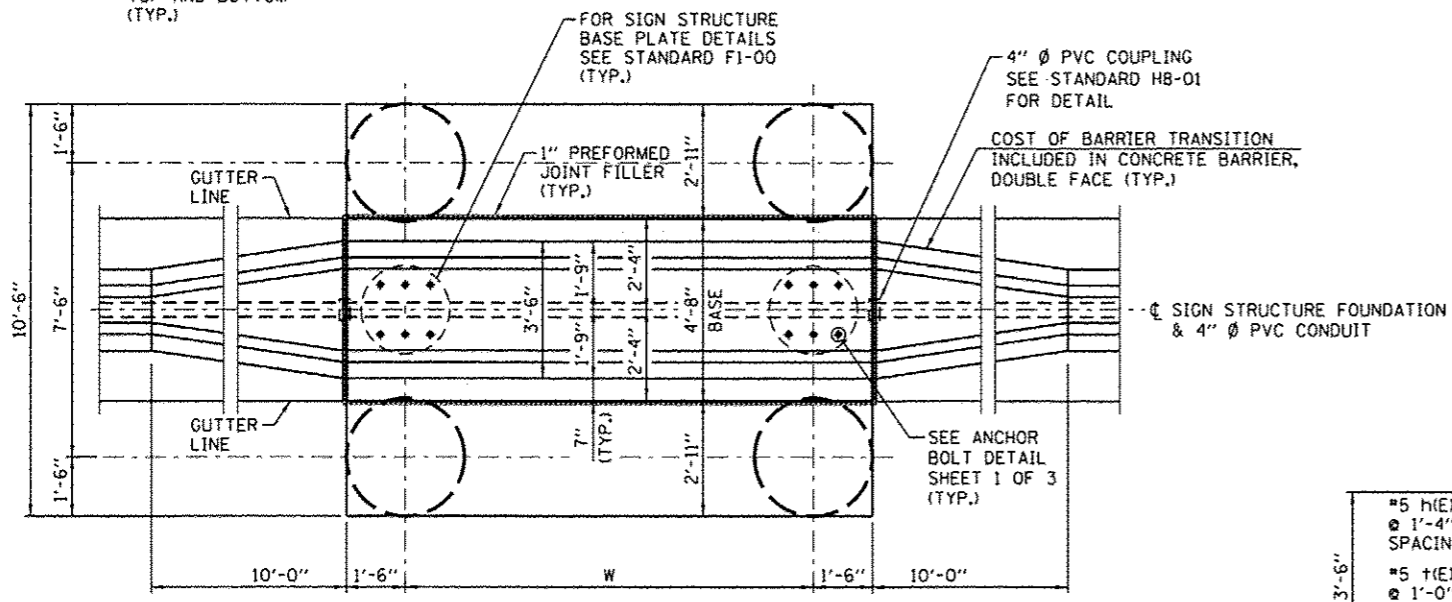
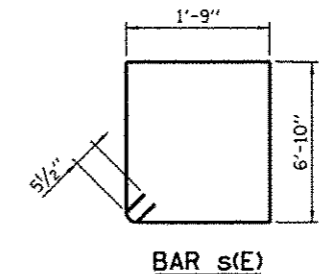
DESIGN TABLE FOR DRILLED SHAFTS IN COHESIVE SOILS

TRUSS No.	W	B	CLASS BS CONC. CY	CLASS DS CONC. CY	REBAR POUNDS
T-60	4'-4 1/2"	25'-0"	3.4	31.6	5440
T-65	4'-8"	25'-0"	3.6	32.0	5450
T-70	5'-0"	25'-0"	3.7	32.4	5450
T-75	5'-3"	25'-0"	3.8	32.7	5480
T-80	5'-6"	25'-0"	3.9	33.0	5480
T-85	5'-9"	26'-0"	4.1	34.3	5690
T-90	5'-11 1/2"	26'-0"	4.2	34.5	5690
T-95	6'-2"	26'-0"	4.3	34.8	5720
T-100	6'-7 1/2"	26'-0"	4.5	35.3	5720
T-105	6'-11"	29'-0"	4.6	38.8	6340
T-110	7'-1 1/2"	29'-0"	4.7	39.0	6360
T-115	7'-4 1/2"	29'-0"	4.8	39.3	6370
T-120	7'-8"	29'-0"	4.9	39.7	6370

BAR LIST - EACH FOUNDATION

BAR NUMBER	SIZE	LENGTH	SHAPE
h(E) 11	#5	W ADD 2'-8"	—
p(E) 22	#5	W ADD 2'-8"	—
s(E) VARIES	#5	18'-1"	□
t(E) VARIES	#5	4'-4"	—
+(E) VARIES	#8	10'-2"	—
v(E) 48	#9	B LESS 0'-5"	—

#4 BAR SPIRAL (E) - SEE END VIEW



CONTRACT 60131 SHEET 944 OF 963
SHEET 3 OF 3

Illinois Tollway
Open Roads for a Faster Future

OVERHEAD SIGN STRUCTURES
MEDIAN FOUNDATION
DRILLED SHAFT DETAILS

STANDARD F3-01

APPROVED: *Paul Kovacs*
CHIEF ENGINEER DATE 2-7-2012