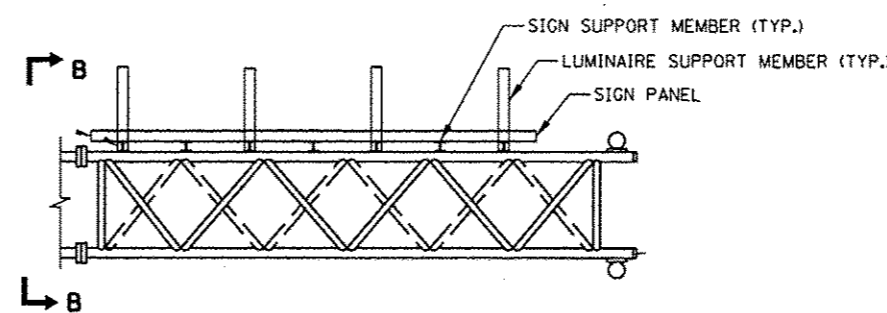
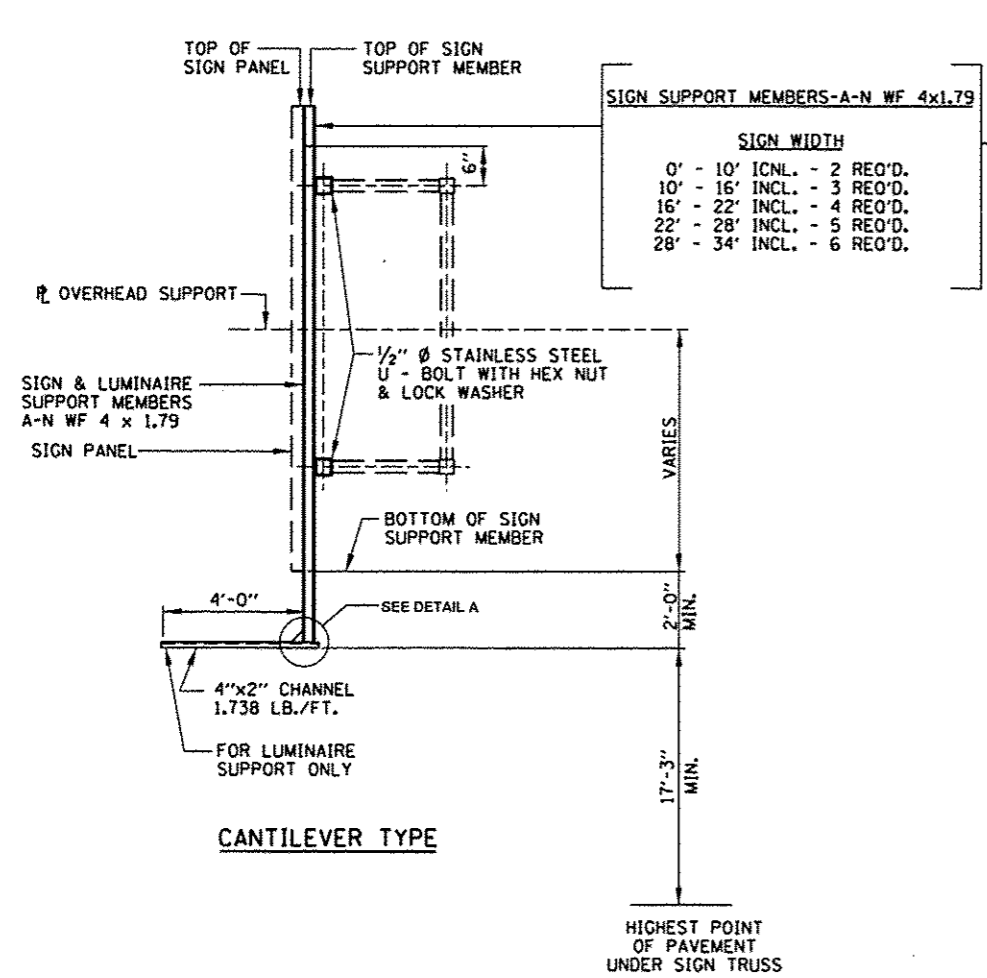


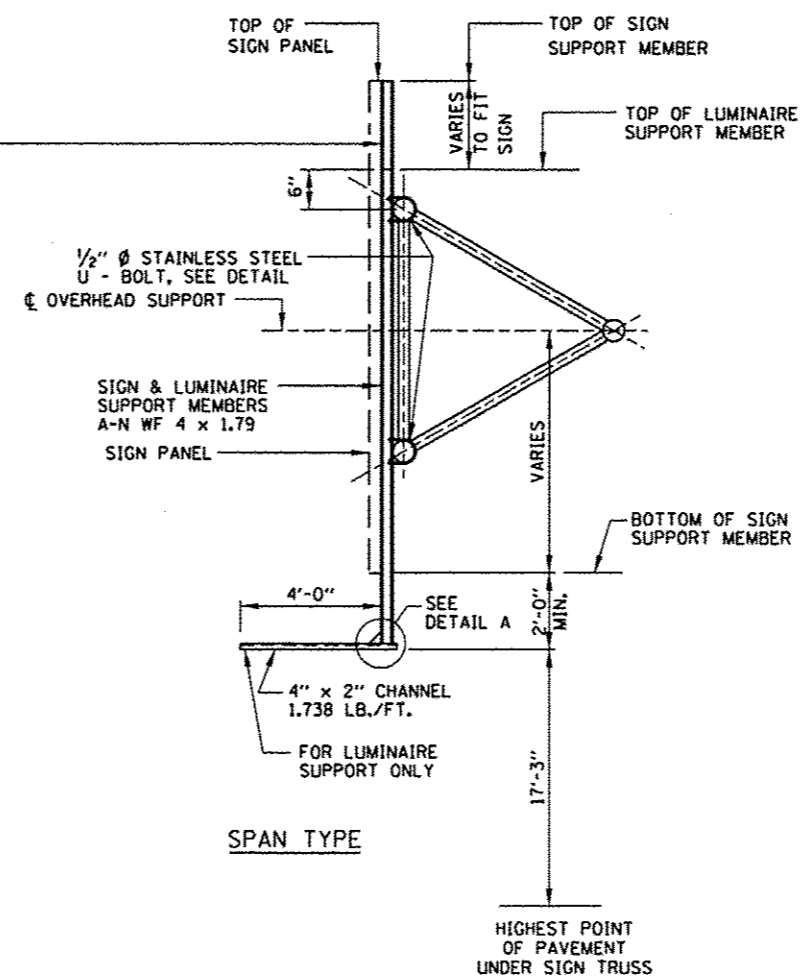
PLAN



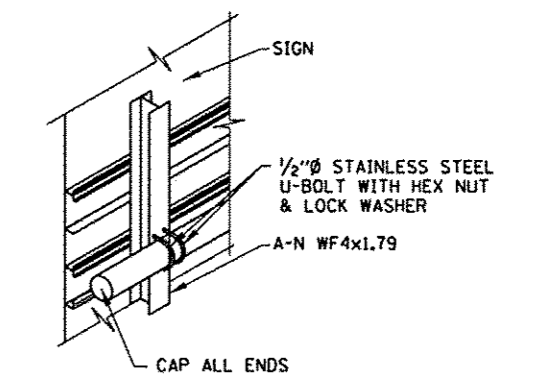
PLAN



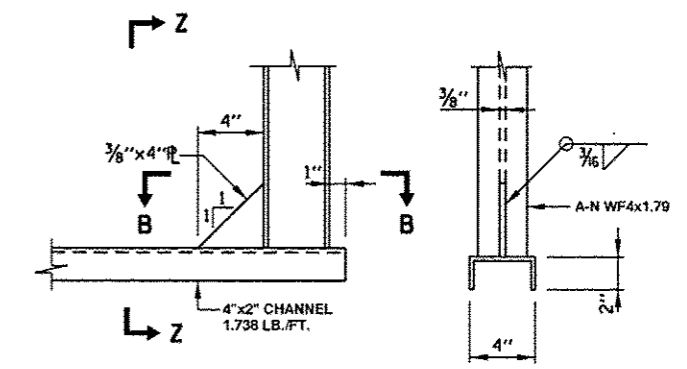
SECTION A-A



SECTION B-B

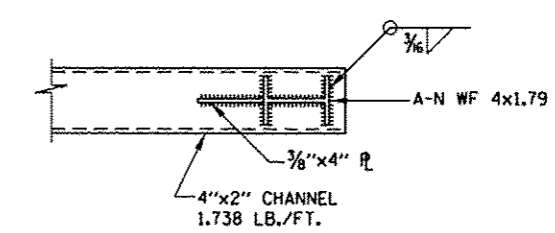


STAINLESS STEEL U-BOLT DETAIL



DETAIL A

SECTION Z-Z



SECTION B-B

SIGN AND LUMINAIRE SUPPORT DETAIL

- NOTE:
- SIGN PANEL SHALL BE ATTACHED TO TRUSS AS CLOSE TO PANEL JOINTS AS POSSIBLE.
 - LUMINAIRE SUPPORT MEMBERS TO BE INSTALLED ONLY WHEN SIGN STRUCTURE IS TO BE ILLUMINATED. DESIGNER TO DETERMINE REQUIREMENTS BASED ON ROADWAY GEOMETRY.

NOTES:
ALL MATERIAL IS ALUMINUM (UNLESS OTHERWISE NOTED).

CONTRACT 60131 SHEET 945 OF 963



DATE	REVISIONS
1-1-2009	ADDED PLAN VIEWS FOR SIGN STRUCTURES
2-7-2012	REVISED OVERHEAD SIGN STRUCTURE CANTILEVER DIAGONALS

OVERHEAD SIGN STRUCTURE
SIGN AND LUMINAIRE
SUPPORTS

STANDARD F8-02

APPROVER: *Paul Kovacs* DATE: 2-7-2012
CHIEF ENGINEER