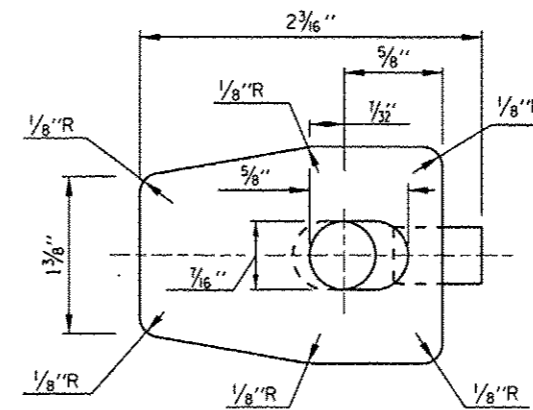
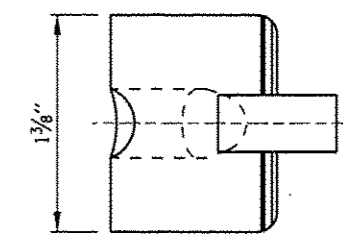


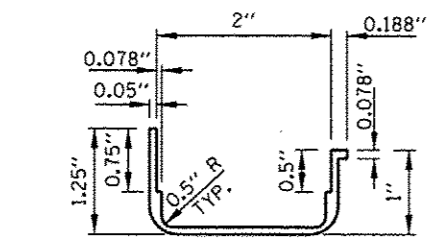
12" PANEL  
TYPE B SIGN PANEL EXTRUSIONS



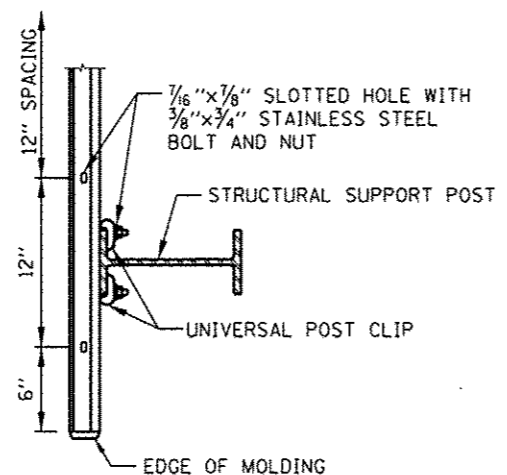
PLAN VIEW



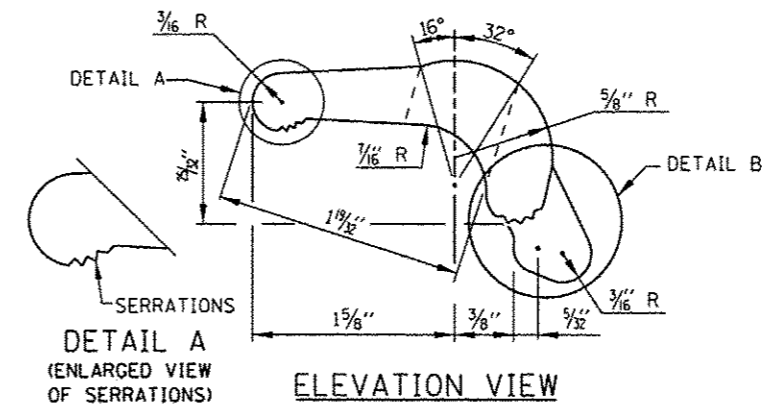
END VIEW



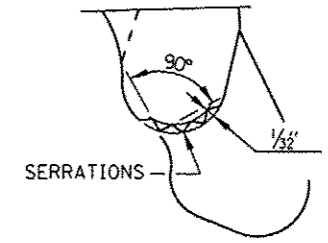
EDGE MOLDING SECTION  
FOR SIGN PANEL



SECTION C-C

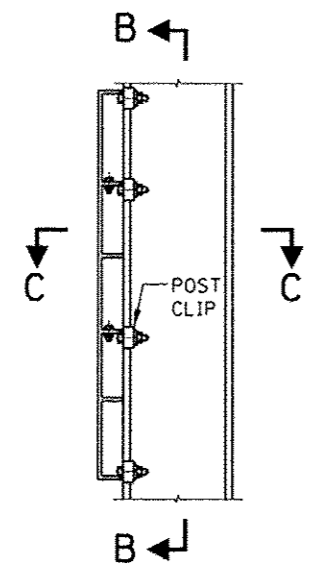


ELEVATION VIEW

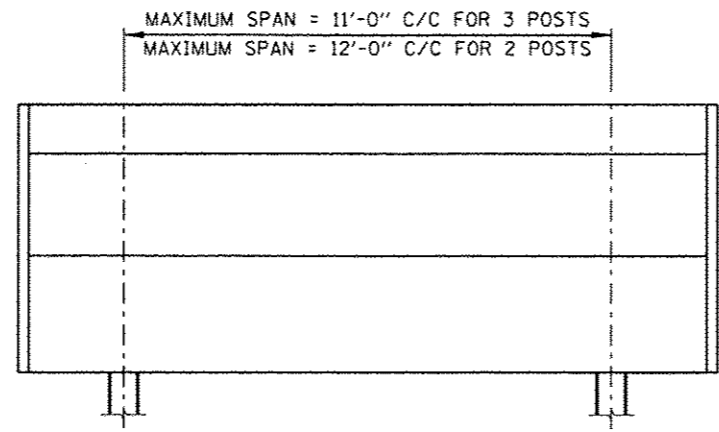


DETAIL B  
(ENLARGED DETAIL OF SERRATIONS)

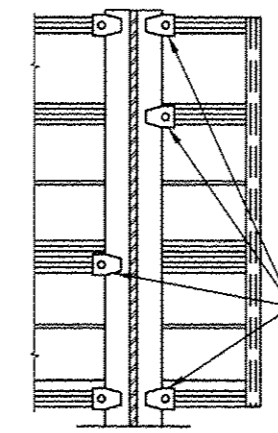
ALUMINUM CLIP DETAIL



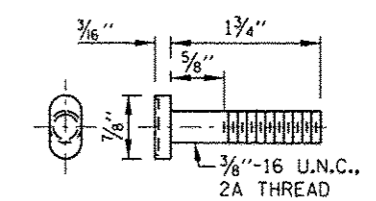
SECTION A-A



FACE OF SIGN PANEL



SECTION B-B



POST CLIP BOLT  
STAINLESS STEEL

PROVIDE TWO (2) POST CLIPS AT TOP AND BOTTOM. ALTERNATE INTERIOR POST CLIPS ON SIGNS UNDER 24 FEET LONG AND OVER HEAD MOUNTED SIGNS. DO NOT ALTERNATE INTERIOR CLIPS ON OTHER SIGNS.

CONTRACT 60I31 SHEET 946 OF 963



DATE	REVISIONS
1-1-2009	MODIFIED TYPE B SIGN PANEL DIM.
	MODIFIED POST CLIP DETAIL
2-7-2012	REMOVED DETAIL FOR MOUNTING 2 PANEL SIGN

MISCELLANEOUS DETAILS AND ALUMINUM SIGN PANELS

STANDARD F10-02

APPROVED *Paul Kovacs* DIRECT ENGINEER DATE 2-7-2012