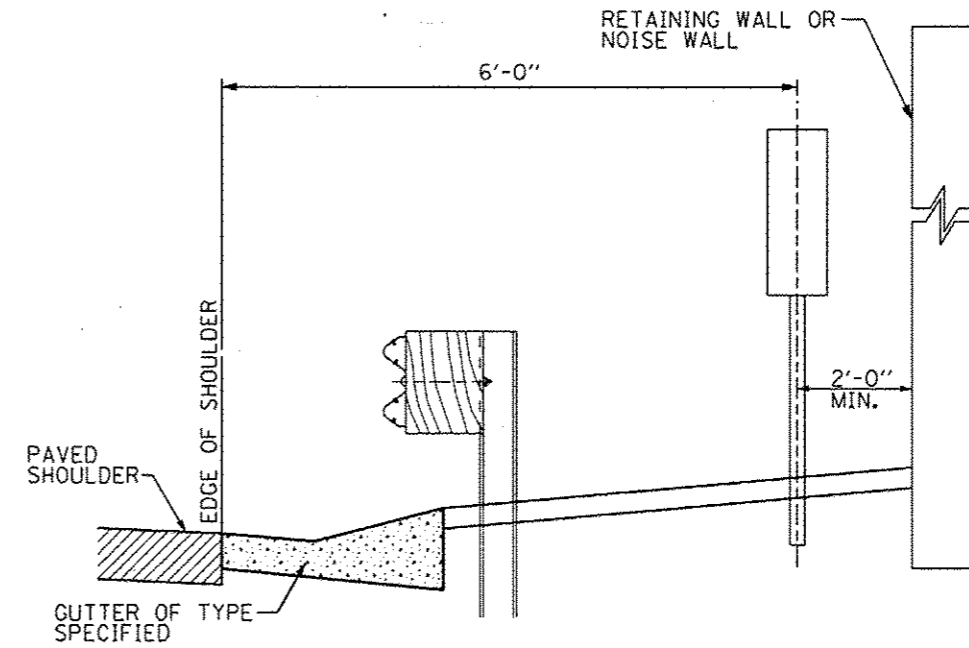


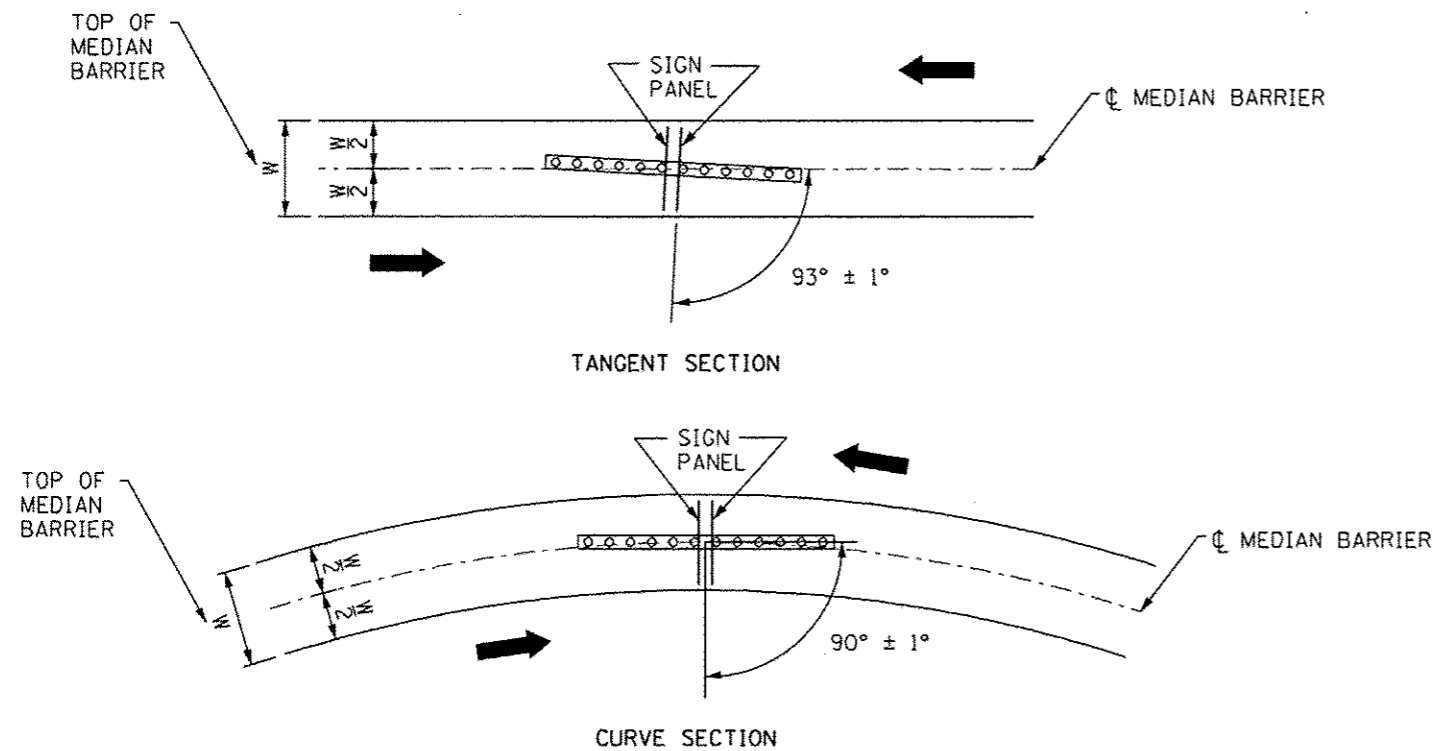
GROUND MOUNT SIGN POSITIONING

NOT TO SCALE



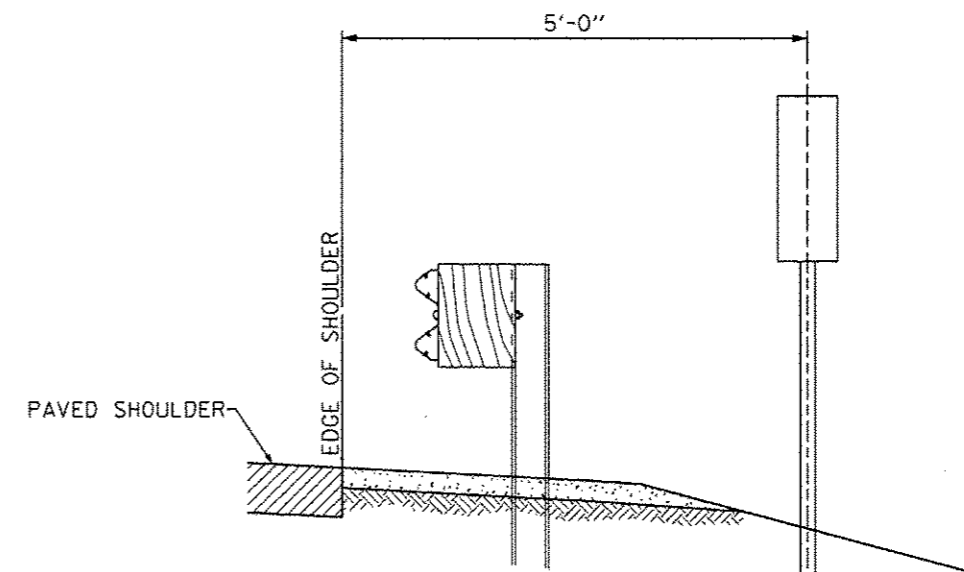
SECTION WITH GUTTER

NOT TO SCALE



MEDIAN BARRIER SIGN POSITIONING

NOT TO SCALE



SECTION WITHOUT GUTTER

NOT TO SCALE

← DIRECTION OF TRAFFIC

CONTRACT 60I31 SHEET 948 OF 963
SHEET 2 OF 3

APPROVED *Paul Kovacs* CHIEF ENGINEER DATE 4-6-2009

Illinois Tollway
Open Roads for a Faster Future

MILEPOST MARKER

STANDARD F11-02