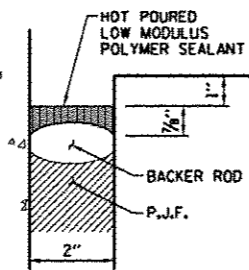
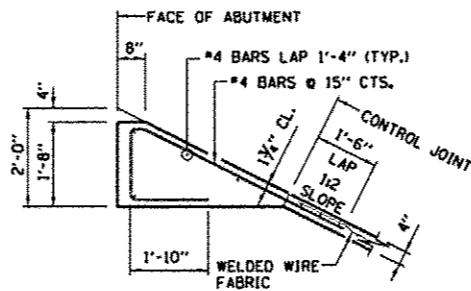


DETAIL "A"



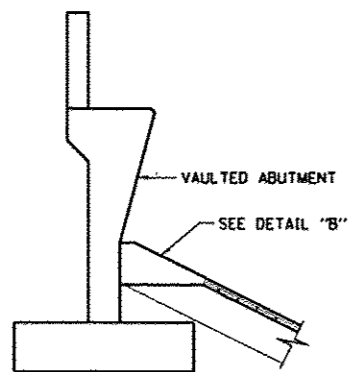
DETAIL "AA"



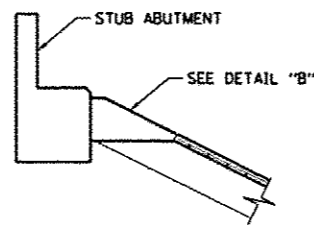
DETAIL "B"

NOTE:

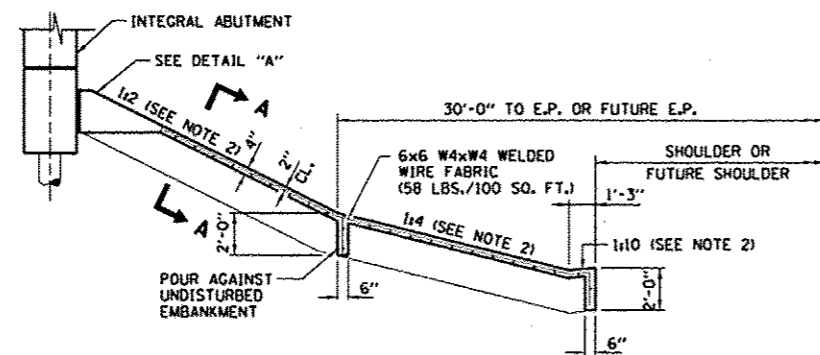
SEALANT, BACKER ROD AND P.J.F. SHALL MEET THE REQUIREMENTS OF SECTIONS 1050 AND 1051 OF THE IDOT STANDARD SPECIFICATIONS.



AT VAULTED ABUTMENT

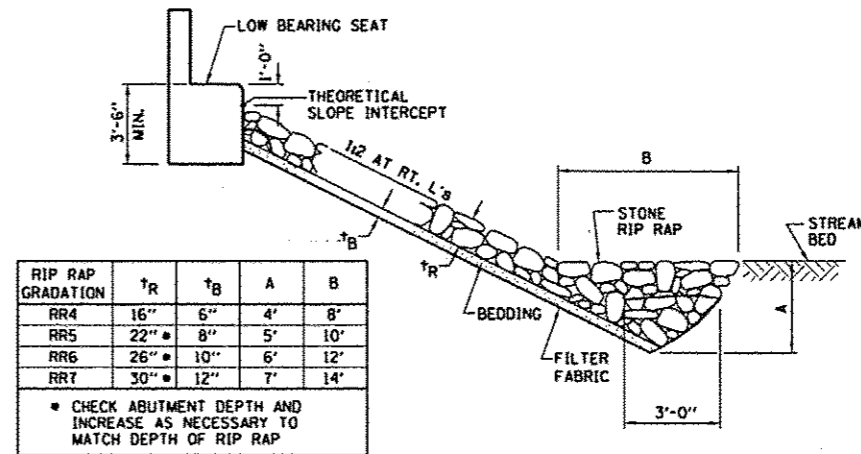


AT STUB ABUTMENT

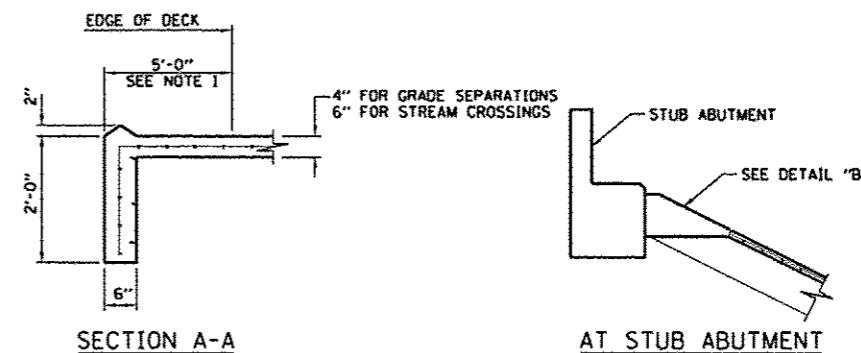


AT INTEGRAL ABUTMENT

SLOPE WALLS FOR BRIDGES OVER TOLLWAY



STONE RIPRAP FOR TOLLWAY BRIDGES OVER WATERWAYS

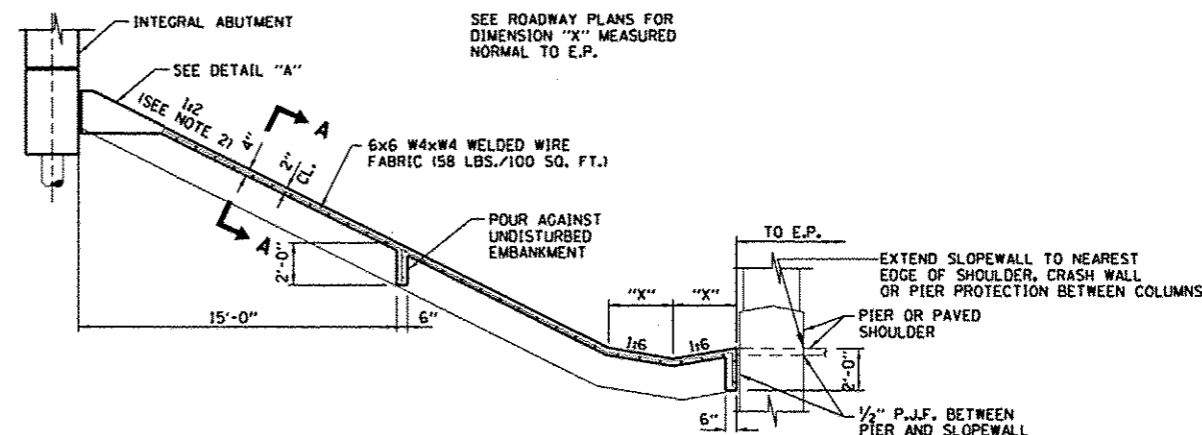


SECTION A-A

AT STUB ABUTMENT

NOTE:

SEE ROADWAY PLANS FOR DIMENSION "X" MEASURED NORMAL TO E.P.



AT INTEGRAL ABUTMENT

TOLLWAY BRIDGES OVER CROSSROADS

NOTES:

- DIMENSIONS SHALL BE 2'-0" IF DECK DRAINS ARE NOT PROVIDED.
- DIMENSIONS MARKED THUS ARE MEASURED NORMAL TO E.P.
- ALL SLOPES ARE EXPRESSED AS UNITS OF VERTICAL DISPLACEMENT TO UNITS OF HORIZONTAL DISPLACEMENT (V:H).

DATE	REVISIONS
6-1-2009	REVISED NOTES