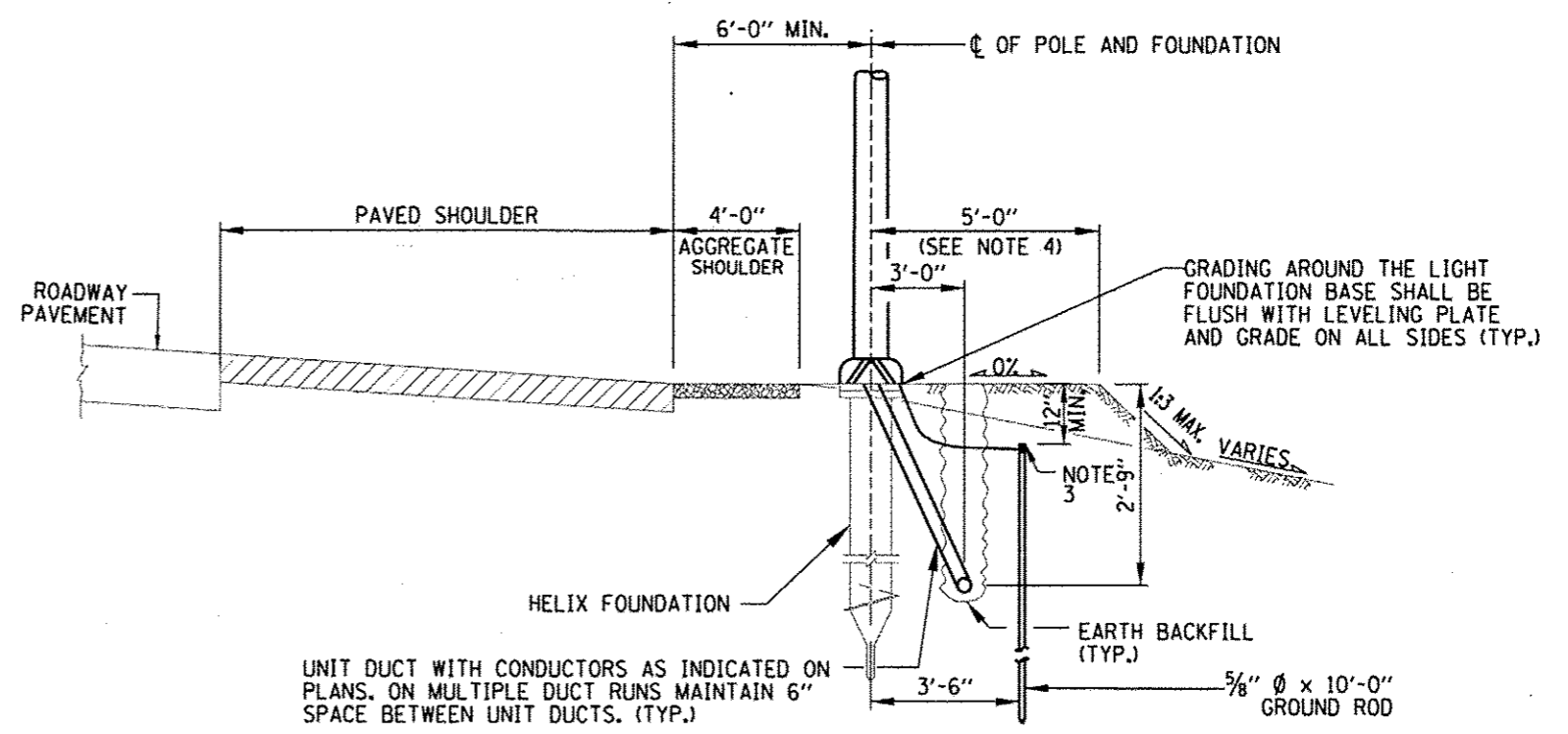
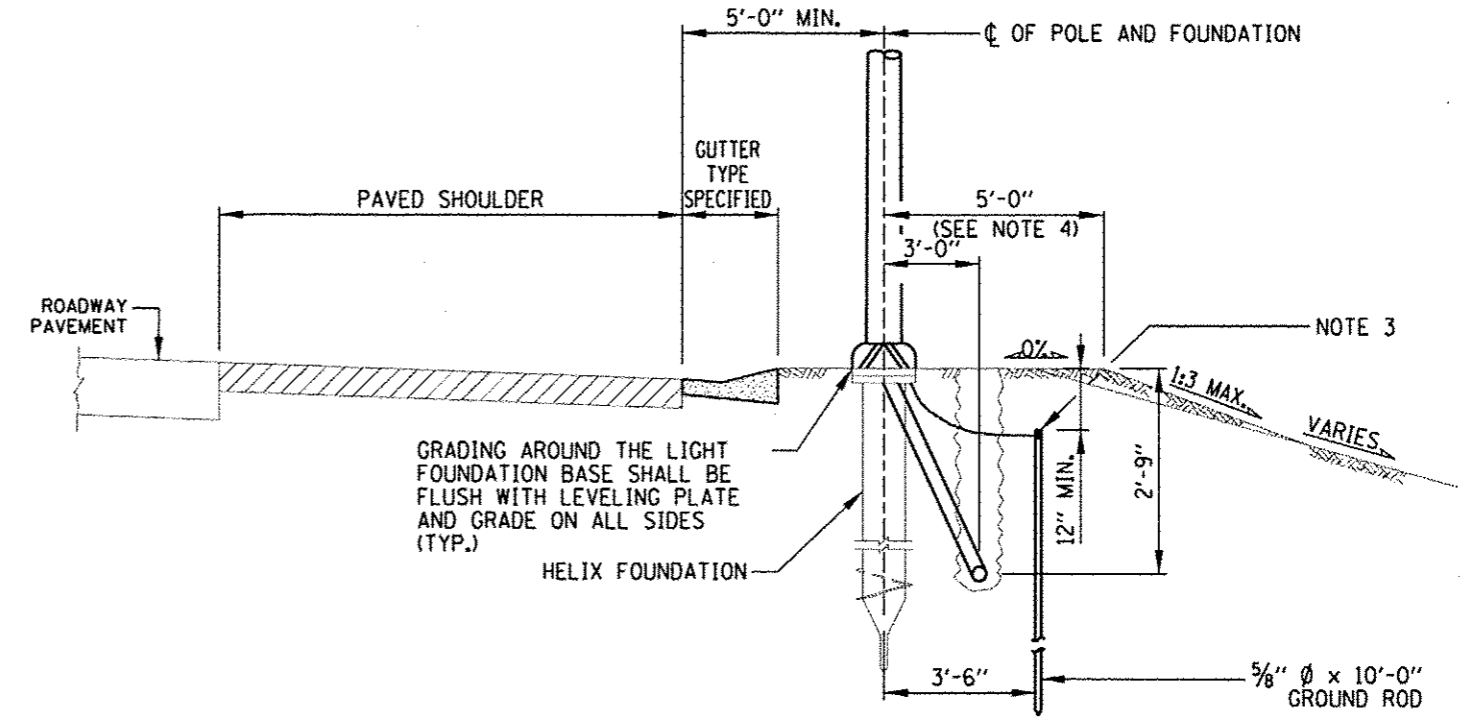


PLAN

HELIX FOUNDATION GRADING PLAN WITH FRONT SLOPES



HELIX FOUNDATION ADJACENT TO AGGREGATE SHOULDER WITH FORESLOPE



HELIX FOUNDATION ADJACENT TO GUTTER WITH FORESLOPE

CONTRACT 60131 SHEET 954 OF 963
SHEET 3 OF 6

APPROVED *Paul Kovacs* CHIEF ENGINEER DATE 2-7-2012

NOTE:
SEE SHEET 1 OF THIS SERIES FOR NOTES.



LIGHT STANDARD FOUNDATION

STANDARD H1-01