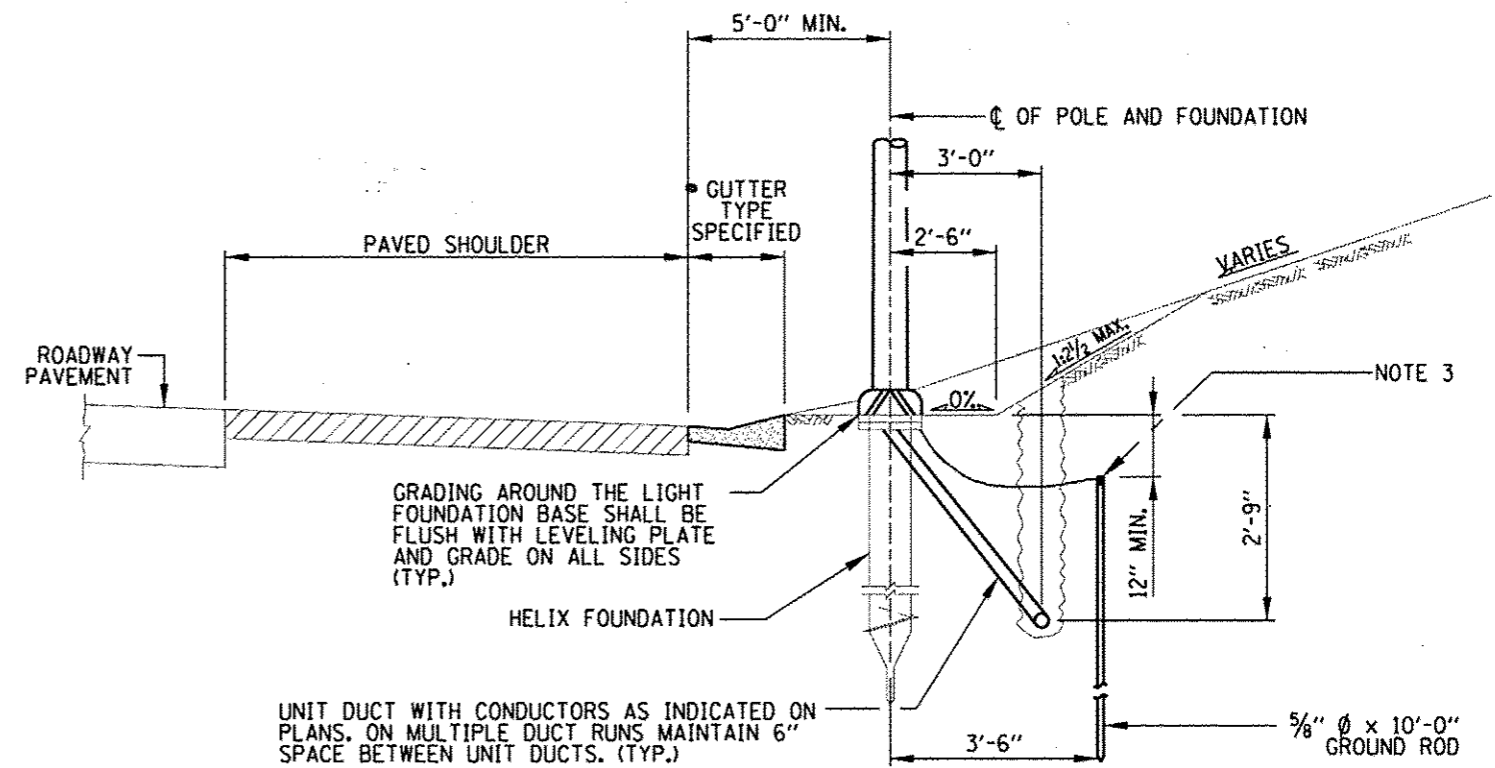
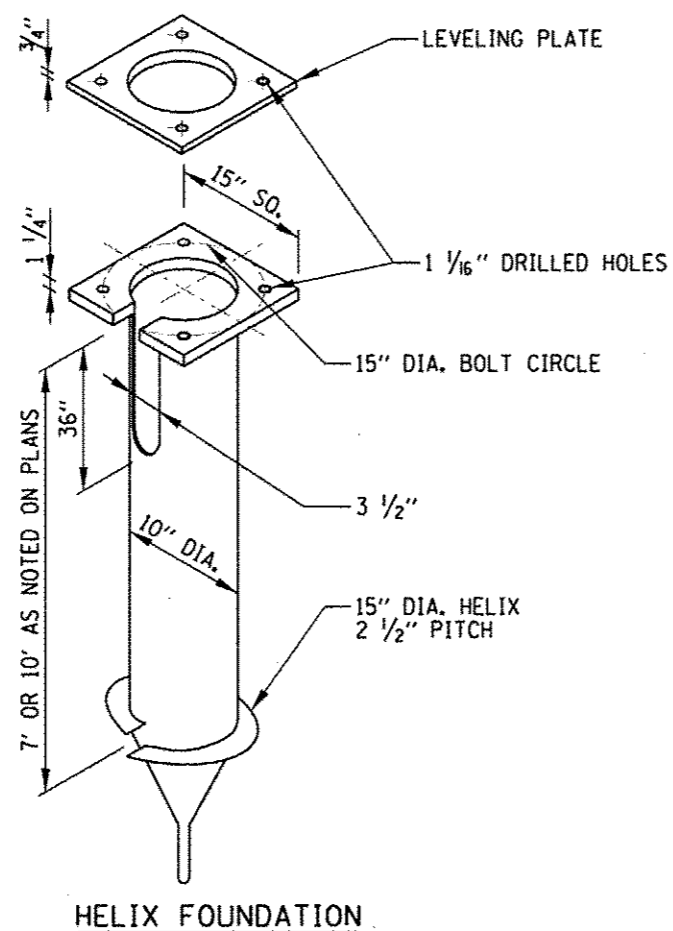


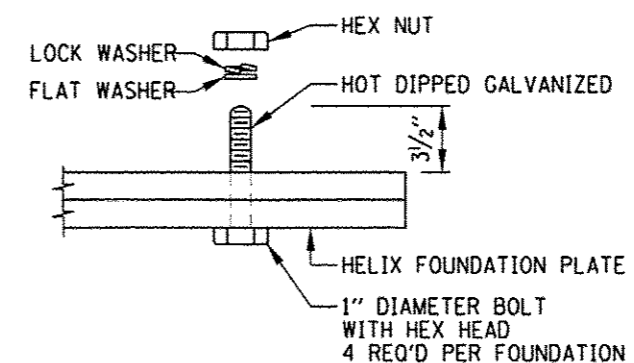
PLAN
HELIX FOUNDATION GRADING PLAN WITH BACKSLOPE



HELIX FOUNDATION ADJACENT TO GUTTER WITH BACKSLOPE



HELIX FOUNDATION



HELIX FOUNDATION
BASE ATTACHMENT DETAIL

NOTE:

SEE SHEET 1 OF THIS SERIES FOR NOTES.

CONTRACT 60I31 SHEET 955 OF 963
SHEET 4 OF 6

Illinois Tollway
Open Roads for a Faster Future

LIGHT STANDARD
FOUNDATION

STANDARD H1-01

APPROVED: *Paul Kovacs*
CHIEF ENGINEER DATE 2-7-2012