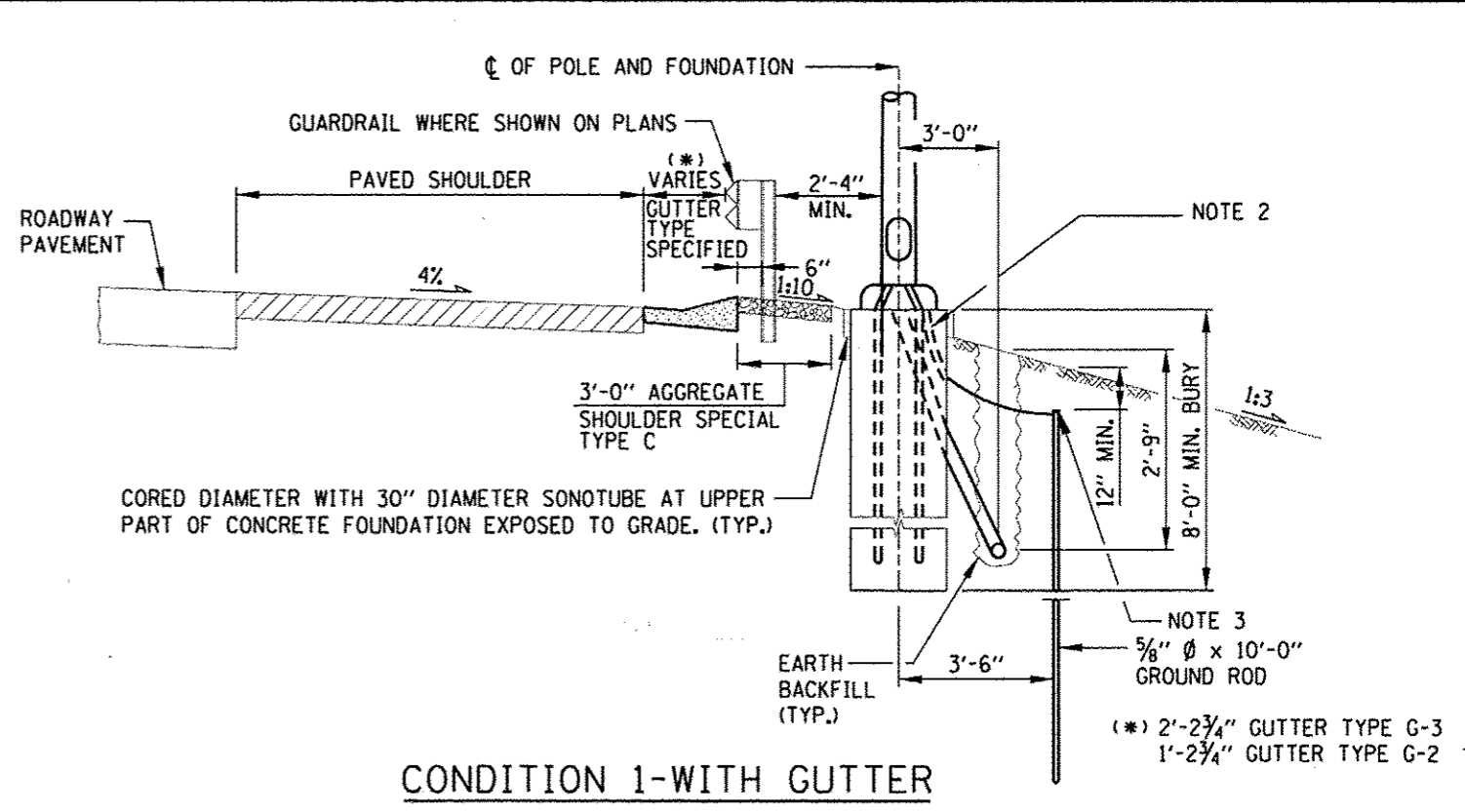
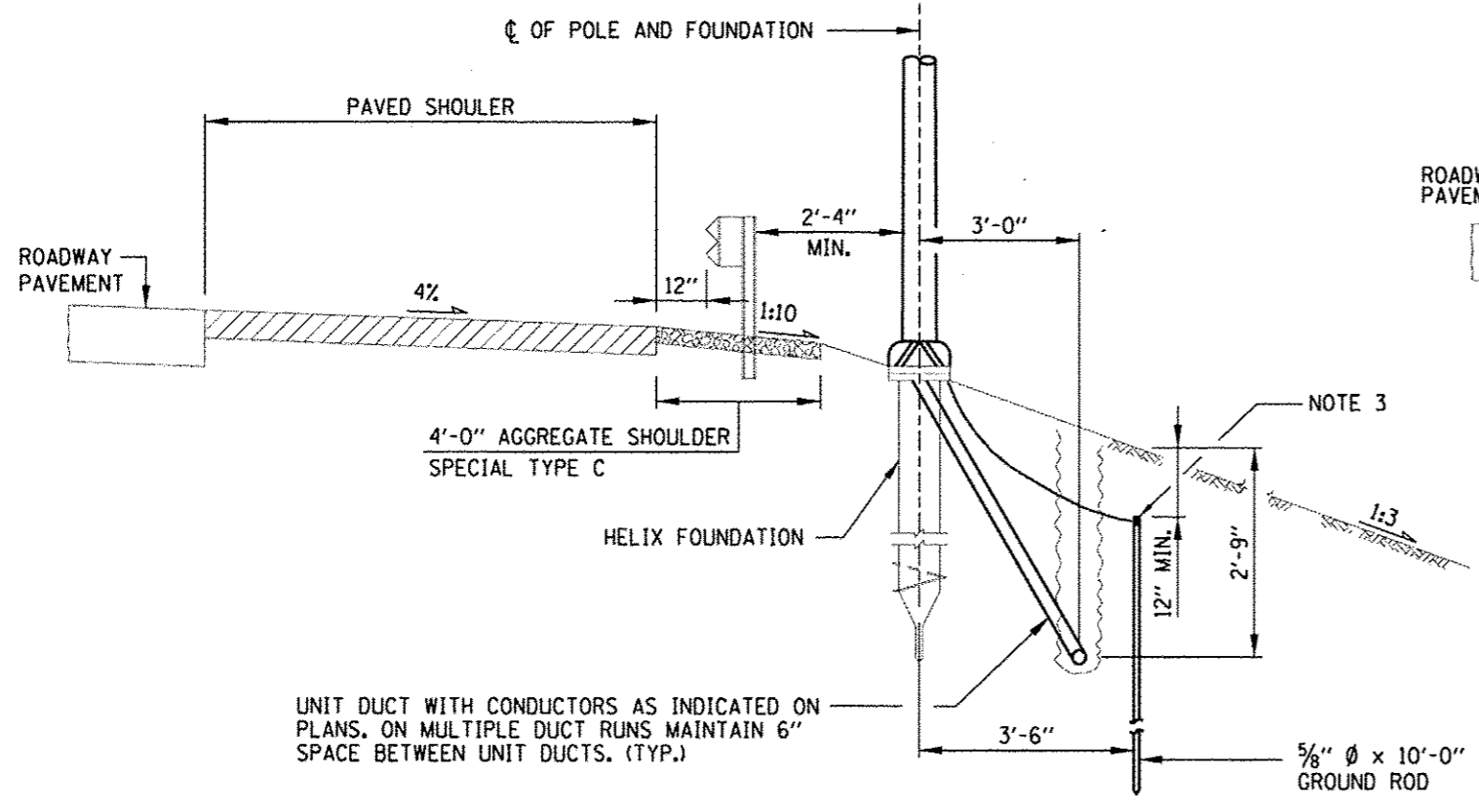


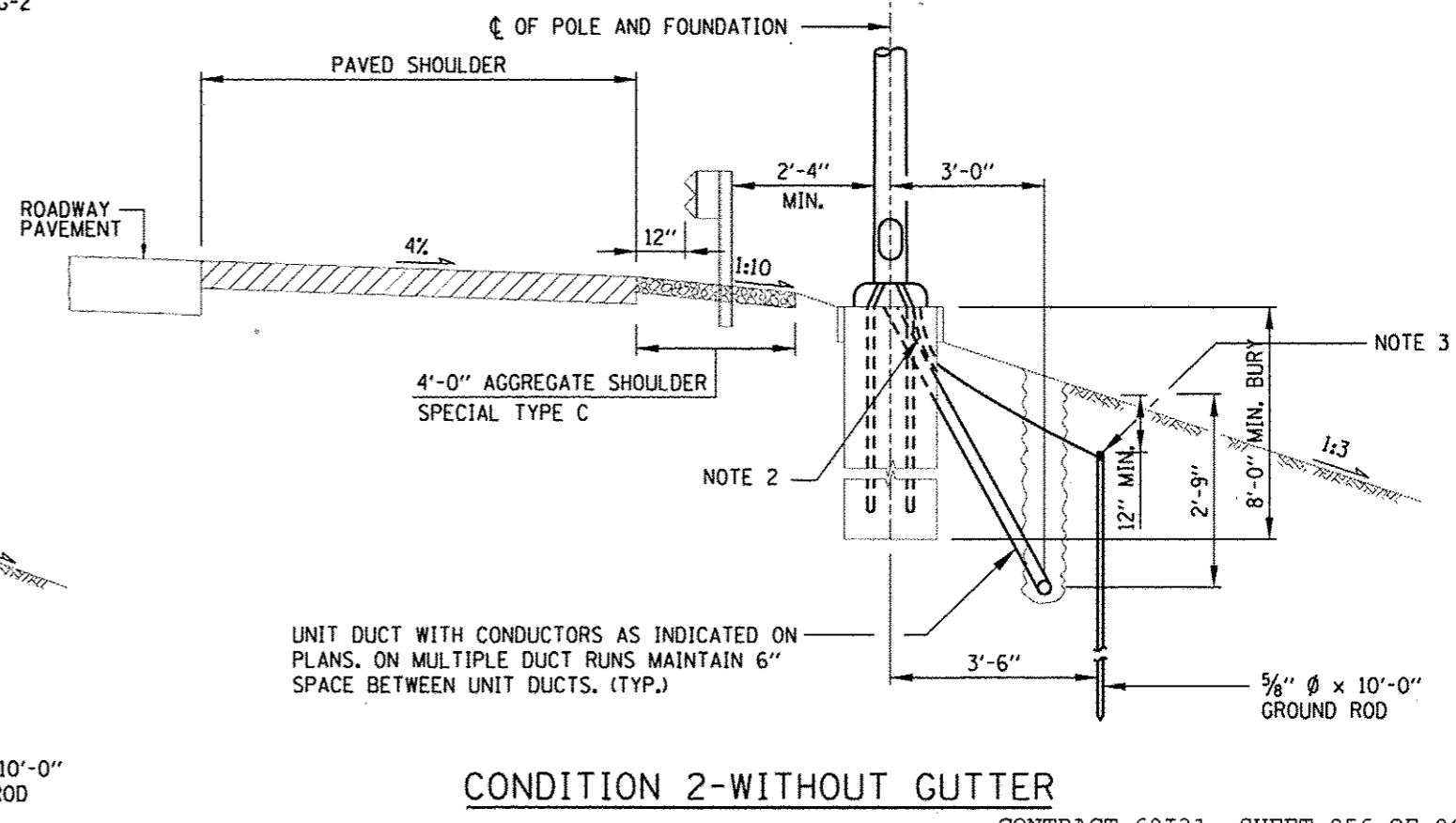
CONDITION 1-WITH GUTTER



CONDITION 1-WITH GUTTER



CONDITION 2-WITHOUT GUTTER  
HELIX FOUNDATION



CONDITION 2-WITHOUT GUTTER  
CONCRETE FOUNDATION

CONTRACT 60131 SHEET 956 OF 963  
SHEET 5 OF 6

NOTE:  
SEE SHEET 1 OF THIS  
SERIES FOR NOTES.



LIGHT STANDARD  
FOUNDATION

STANDARD H1-01

Paul Kovacs  
APPROVED... DATE 2-7-2012...