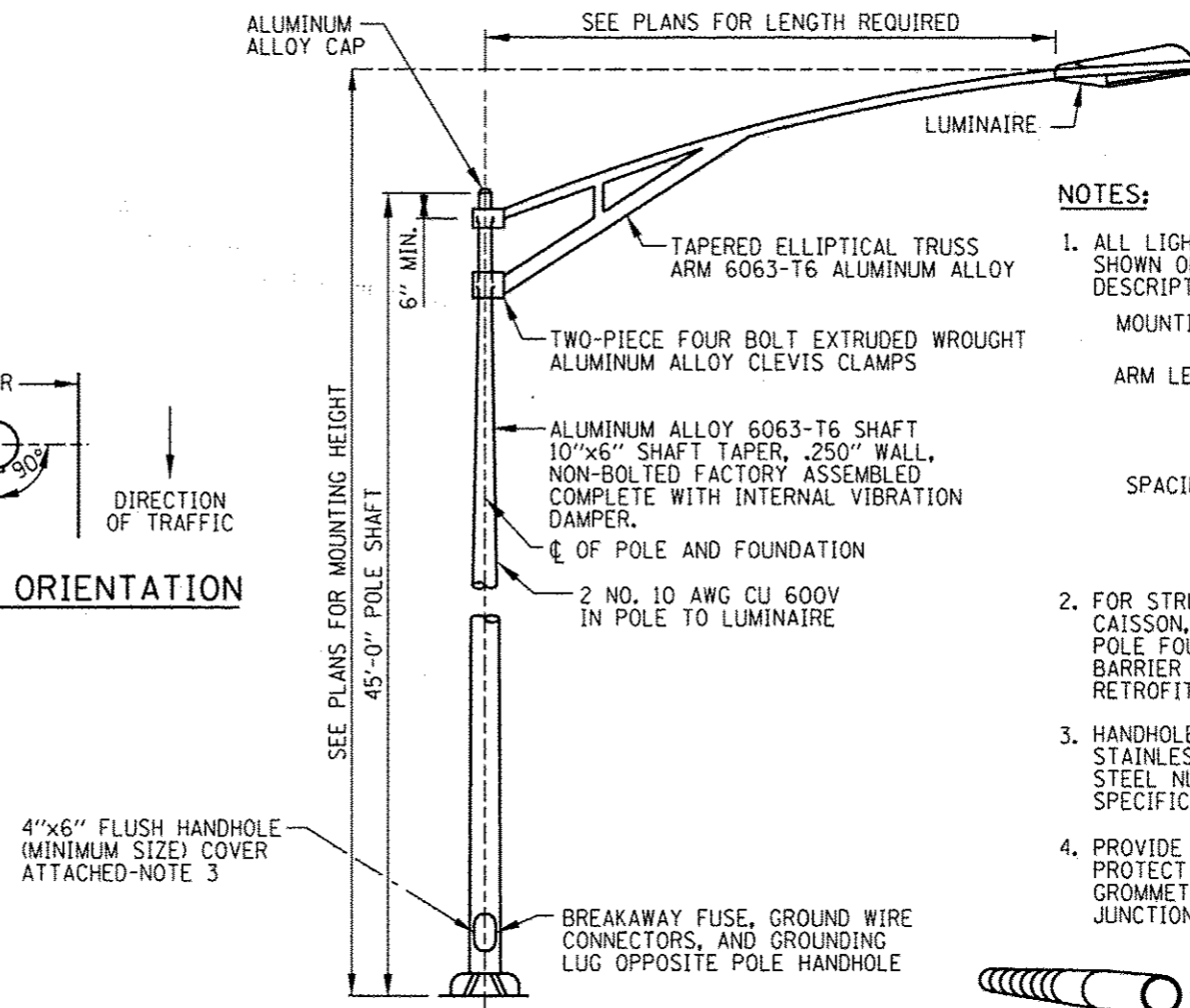
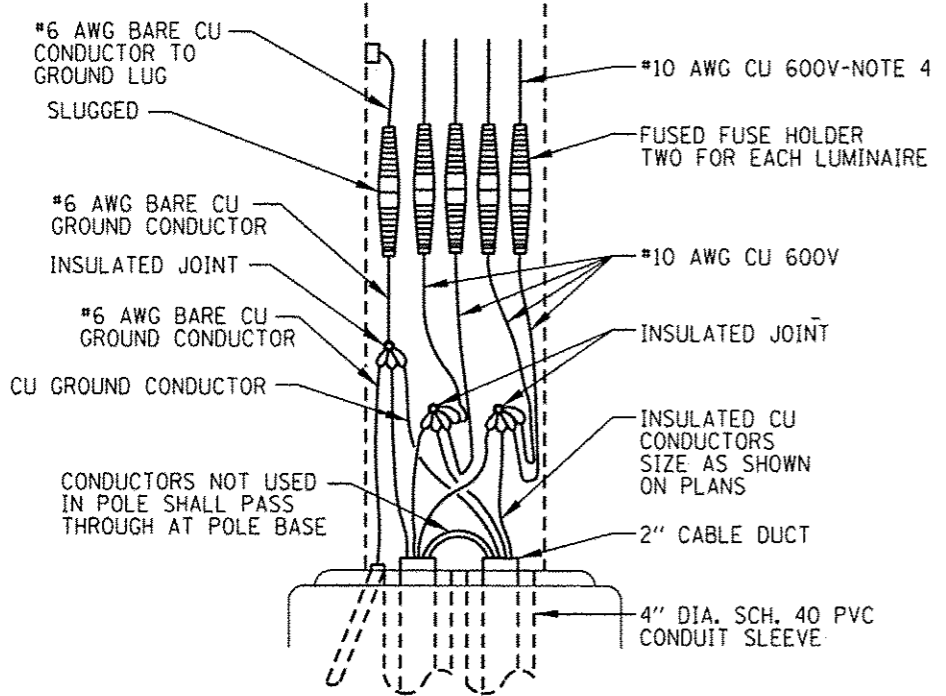
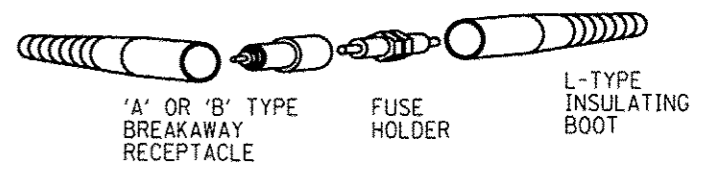


**TWIN MAST LIGHT STANDARD DETAIL**

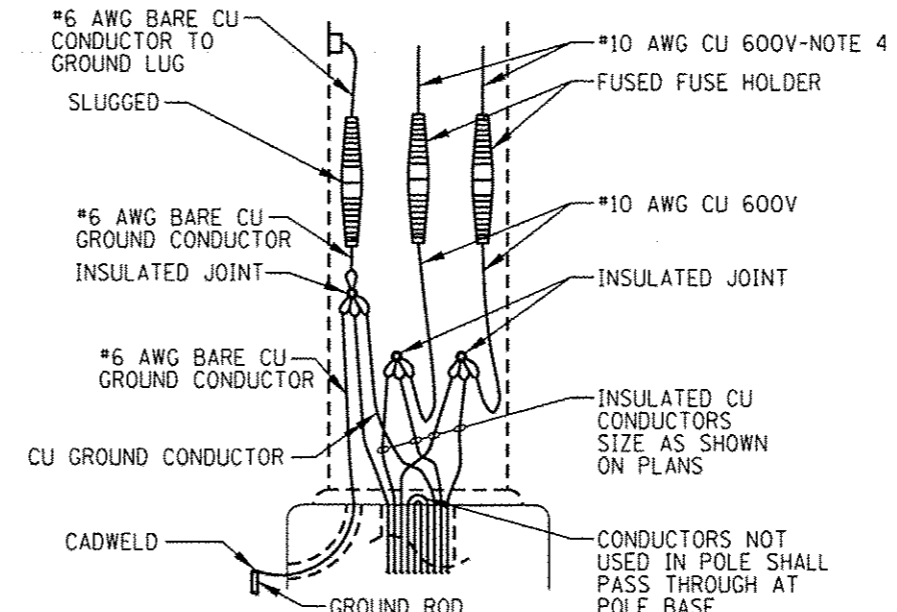


**SINGLE MAST LIGHT STANDARD DETAIL**

- NOTES:**
- ALL LIGHT STANDARDS, BOTH NEW AND EXISTING, ARE SHOWN ON PLANS WITH THE FOLLOWING SAMPLE DESCRIPTION:  
 MOUNTING HEIGHT  
 ARM LENGTH  
 SPACING RANGE  
 CIRCUIT NUMBER  
 STATION OF LIGHT STANDARD  
 STA. 0 + 20  
 DISTRIBUTION TYPE  
 CONTROL:  
 S=SEMI-CUTOFF  
 C=FULL CUTOFF
  - FOR STRUCTURAL DETAILS OF MEDIAN BARRIER AND CAISSON, SEE STANDARD H8 (MEDIAN BARRIER LIGHT POLE FOUNDATION DETAILS), STANDARD H9 (MEDIAN BARRIER LIGHT POLE FOUNDATION DETAILS - TYPE 4 RETROFIT, 32" BARRIER) OR STRUCTURAL PLANS.
  - HANDHOLE COVERS SHALL BE FASTENED USING TWO STAINLESS STEEL SCREWS WITH CAPTIVE STAINLESS STEEL NUTS OR INSERTS, PER THE SUPPLEMENTAL SPECIFICATIONS.
  - PROVIDE A 24" LONG POLYETHYLENE TUBE TO PROTECT CABLES WHERE THEY PASS THROUGH THE GROMMETTED OPENING AT THE POLE/MAST ARM JUNCTION.

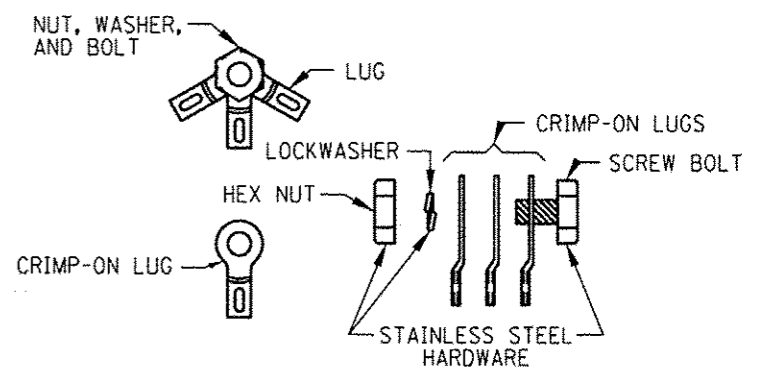


**TWIN MAST POLE BASE WIRING DIAGRAM**



**SINGLE MAST POLE BASE WIRING DIAGRAM**

**IN-THE-LINE FUSE HOLDER DETAIL WITH BREAKAWAY FEATURE**



**JOINT ASSEMBLY DETAILS**

CONTRACT 60I31 SHEET 958 OF 963



DATE	REVISIONS
2-7-2012	REVISED LIGHT POLE HANDHOLE NOTES, REMOVED CABLE VOLTAGE, AND REVISED NOTES

LIGHT STANDARD POLE WIRING

STANDARD H2-01

APPROVED: *Paul Kovacs* DATE 2-7-2012  
CHIEF ENGINEER