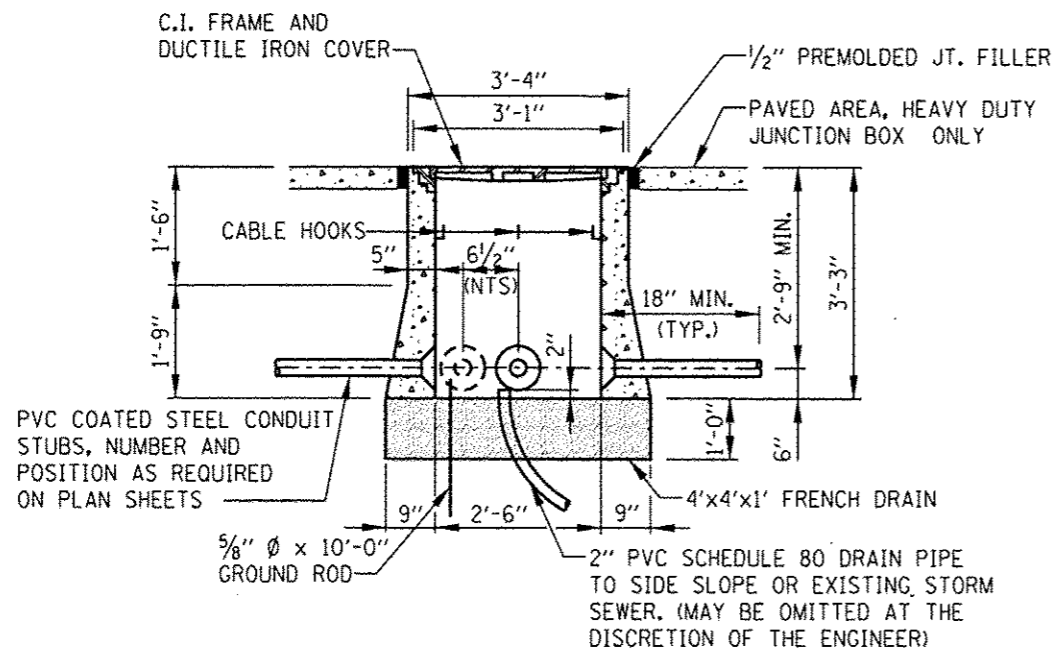


**TRENCHING FOR CONDUIT IN NON-PAVED AREAS**

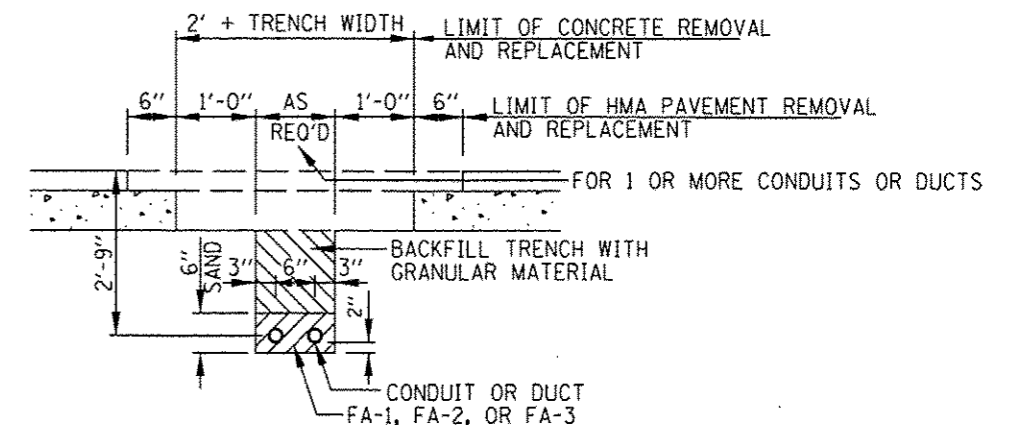
(NOTE 6)



**PAVED AREA INSTALLATION  
HANDHOLE AND HEAVY DUTY HANDHOLE**  
SEE NOTES

**NOTE:**

SAW-CUT HMA AND CONCRETE PAVEMENTS PRIOR TO REMOVAL



**TRENCHING FOR CONDUIT IN PAVED AREAS**

(NOTE 6)

**NOTES:**

- HANDHOLES LOCATED IN UNPAVED AREAS AND NOT SHIELDED BY GUARDRAIL SHALL BE CONSTRUCTED WITH THE TOP FLUSH WITH THE ADJACENT SLOPE.
- HEAVY DUTY HANDHOLE - THIS TYPE SHALL BE CONSTRUCTED IN PAVED AREAS AND ITS FRAME AND COVER SHALL BE EITHER NEENAH FOUNDRY R-6662-PP WITH TYPE G LIFTING HANDLE OR EAST JORDAN IRON WORKS NO. 8213 WITH LIFTING RING, OR APPROVED EQUAL.
- HANDHOLE - THIS TYPE SHALL BE CONSTRUCTED ONLY IN NON-PAVED AREAS AND ITS FRAME AND COVER SHALL BE NEENAH FOUNDRY R-6660-NH OR APPROVED EQUAL. THE FRAME AND COVER SHALL BE INSTALLED WITH THE HINGES AT THE SIDE FACING APPROACHING TRAFFIC.
- AGGREGATE FOR FRENCH DRAIN SHALL BE PER ARTICLE 1003.04 OF THE STANDARD SPECIFICATIONS.
- 10 FEET OF EXTRA CABLE SHALL BE COILED IN EACH HANDHOLE.
- TRENCH AND BACKFILL FOR ELECTRICAL WORK SHALL BE INCLUDED IN THE COST OF THE UNDERGROUND RACEWAY AND WILL NOT BE MEASURED FOR PAYMENT.

CONTRACT 60I31 SHEET 959 OF 963



DATE	REVISIONS
2-7-2012	MODIFY TRENCH DETAIL, NEW HANDHOLE DETAILS AND REVISED NOTES

HANDHOLES AND BURIED WIRING DETAILS

STANDARD H4-01

APPROVED: *Paul Kovacs* CHIEF ENGINEER DATE 2-7-2012...