

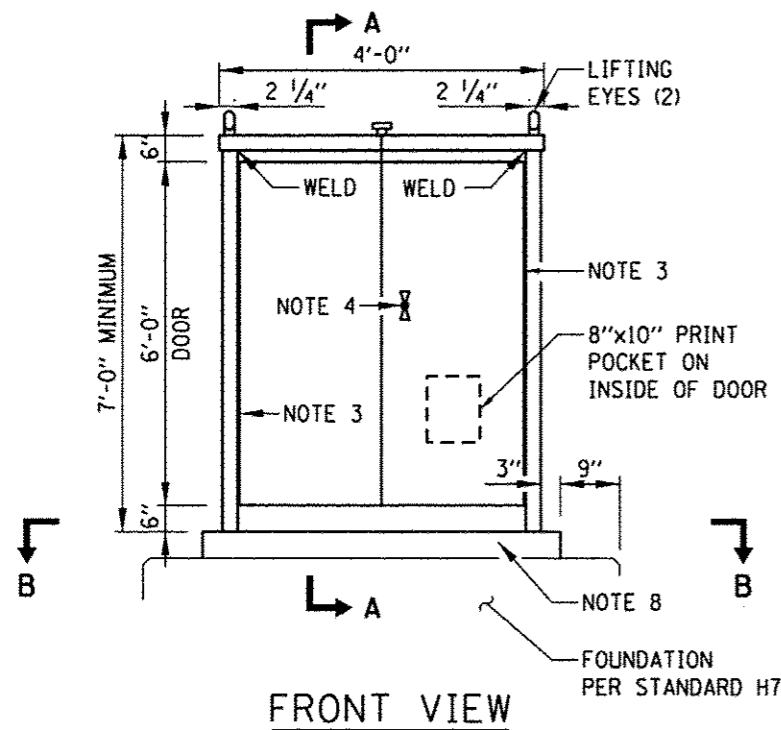
CONTROL CONSOLE WIRING DIAGRAM

WIRING DIAGRAM NOTES:

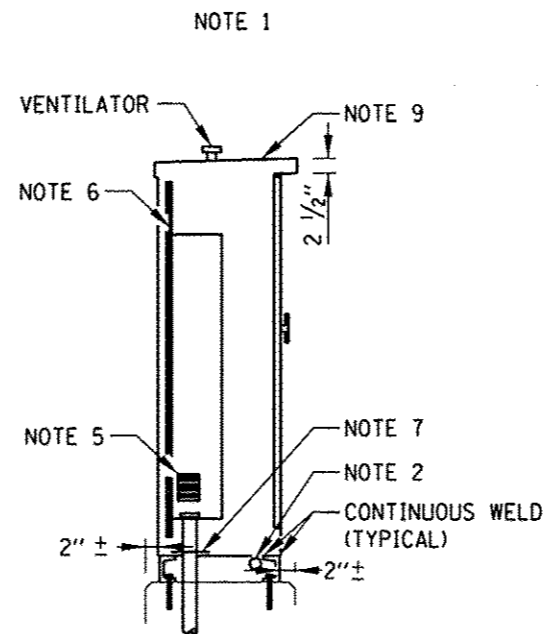
1. TO UTILITY SERVICE. 480/240V, 1 PHASE, 3 WIRE, GROUNDED, WHEN A METER HOUSING IS REQUIRED (FED FROM PAD MOUNTED UTILITY TRANSFORMER WITHIN TOLLWAY RIGHT-OF-WAY).
2. TO SERVICE PEDESTAL, 480/240V, 1 PHASE, 3 WIRE, GROUNDED. SEE STANDARD H5.
3. ITEM NUMBERS REFER TO EQUIPMENT LIST ON SHEET 1 (OF 2) IN THIS SERIES.
4. PROVIDE BREAKERS PER SCHEDULE ON THE CONTRACT PLANS.

CONTROL CONSOLE NOTES:

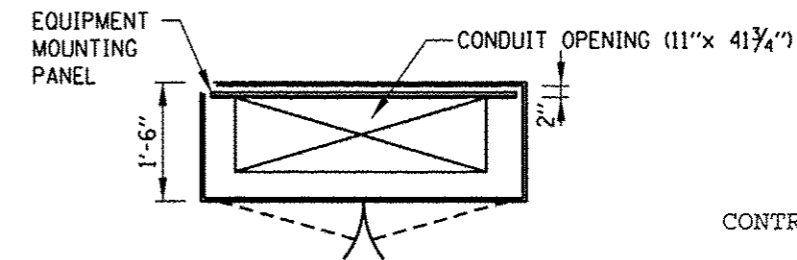
1. FOR INTERIOR EQUIPMENT LAYOUT DETAILS, SEE SHEET 1 (OF 2) IN THIS SERIES.
2. CONDUIT AND CABLE BETWEEN METER FITTING AND DISCONNECT SWITCH ROUTED BETWEEN CONTROL CONSOLE AND CONCRETE FOUNDATION, WHEN A METER HOUSING IS REQUIRED. CONDUIT AND CABLE SHALL BE THE SAME AS THE SERVICE.
3. CONTINUOUS STAINLESS STEEL PIANO HINGES.
4. 3 POINT LATCH VAULT TYPE HANDLE WITH MASTER KEYED CHICAGO CYLINDER LOCK CATALOG NO. 60
5. SCREENED LOUVERS ON SIDES OF CABINET.
6. 10 GAUGE GALVANIZED STEEL EQUIPMENT MOUNTING PANEL (PAINTED WHITE).
7. REMOVABLE #10 GAUGE 13"x43 3/4" STAINLESS STEEL PLATE. DRILL PLATE AS REQUIRED FOR CONDUIT ENTRY.
8. 4" x 2 1/2" STAINLESS STEEL CHANNEL (2 REQUIRED-FRONT AND BACK). EXTEND CHANNEL 3" BEYOND ENCLOSURE (CONTINUOUSLY WELD CHANNEL TO ENCLOSURE).
9. TOP SLOPED 1/2" TO REAR FOR DRAINAGE.



FRONT VIEW



SECTION A-A



SECTION B-B

CONTRACT 60I31 SHEET 961 OF 963  
SHEET 2 OF 2



OUTDOOR CONTROL  
CONSOLE DETAILS

STANDARD H6-01

APPROVED *Paul Kovacs* CHIEF ENGINEER DATE 2-7-2012