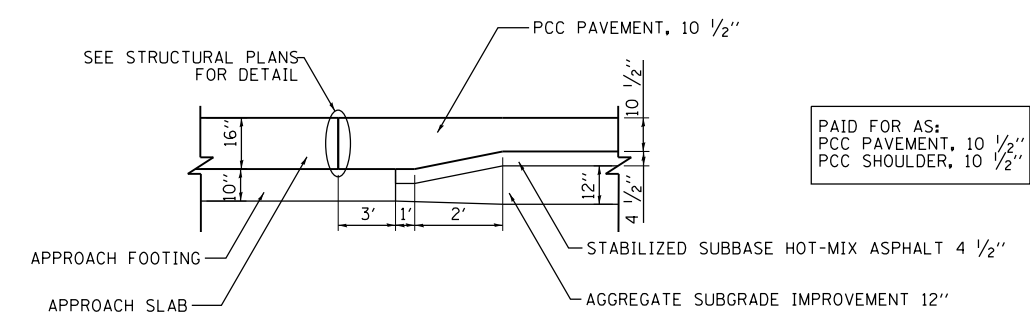
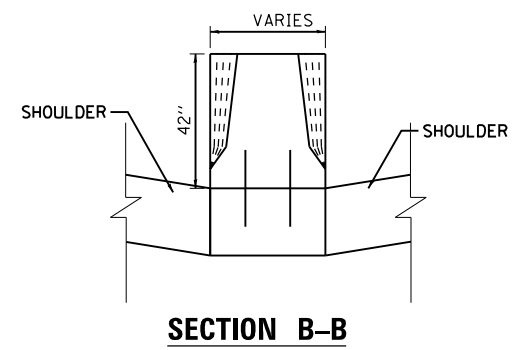
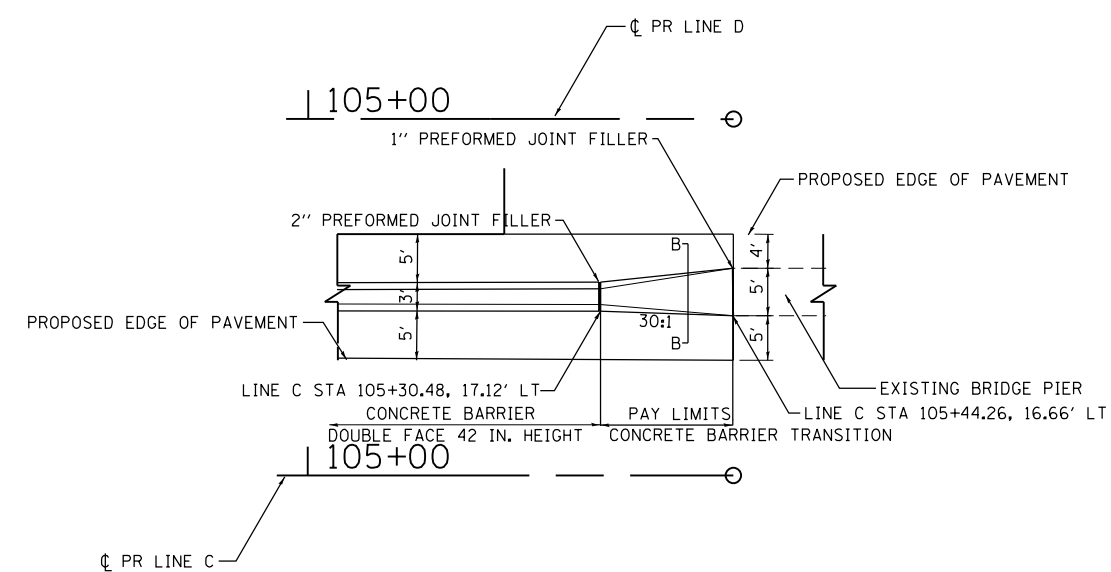


**DETAIL OF CONCRETE BARRIER TRANSITION AT EXISTING ROUNDED PIER**



**SN 06-2440/2470 APPROACH TRANSITION**

PAID FOR AS:  
PCC PAVEMENT, 10 1/2"  
PCC SHOULDER, 10 1/2"

BOWMAN, BARRETT & ASSOCIATES INC.  
CONSULTING ENGINEERS  
Chicago, Illinois  
312.228.0100  
www.bbandainc.com

FILE NAME = *FILEL*	USER NAME = default	DESIGNED -	REVISED -
		DRAWN -	REVISED -
		CHECKED -	REVISED -
		DATE - 03/29/2013	REVISED -

**STATE OF ILLINOIS  
DEPARTMENT OF TRANSPORTATION**

<b>CONCRETE BARRIER TRANSITION DETAIL STONY ISLAND EXTENSION</b>			
SCALE:	SHEET NO.	OF SHEETS	STA. TO STA.

F.A.I. RTE.	SECTION	COUNTY	TOTAL SHEETS	SHEET NO.
94	2012-059-BR	COOK	631	72
CONTRACT NO. 60J12				
ILLINOIS FED. AID PROJECT				

S:\1072-05-CADD\01680112-Sht-barrier-det.dgn