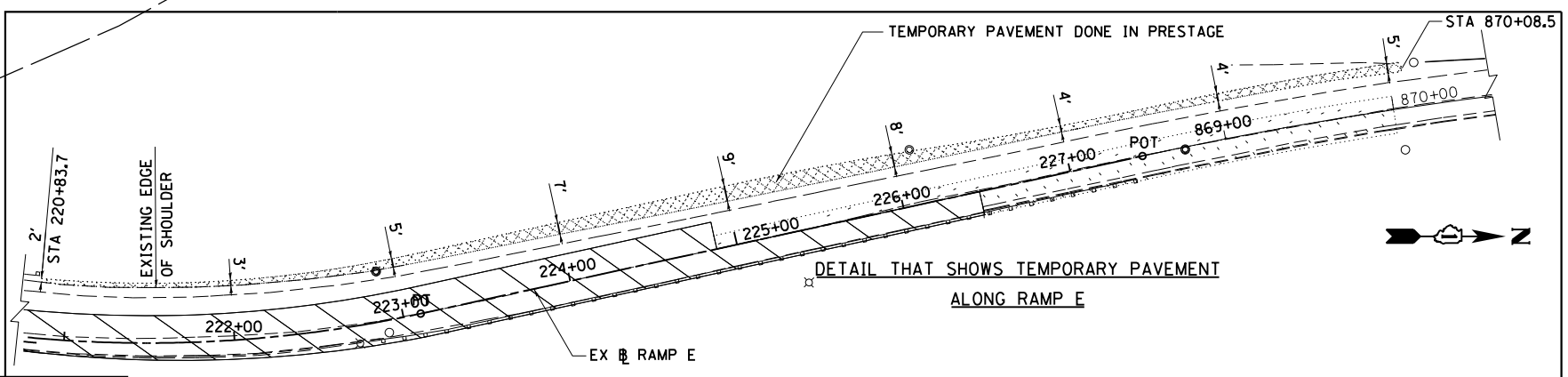


- MOT LEGEND**
- ☐ TYPE III BARRICADE
 - ▭ IMPACT ATTENUATORS, TEMPORARY (FULLY REDIRECTIVE, NARROW), TEST LEVEL 3
 - ▨ TEMPORARY PAVEMENT
 - ▩ WORKZONE: FULL REHABILITATION
 - ▧ WORKZONE: SCARIFICATION AND OVERLAY
 - ① TEMPORARY CONCRETE BARRIER WITH BARRIER WALL MARKERS, TYPE C
 - ② RELOCATE TEMPORARY CONCRETE BARRIER
 - ③ DRUMS AT 50'C-C WITH BIDIRECTIONAL STEADY BURN LIGHTS
 - ④ WET REFLECTIVE TEMPORARY TAPE TYPE III, 4 INCH, WHITE
 - ⑤ WET REFLECTIVE TEMPORARY TAPE TYPE III, 4 INCH, YELLOW
 - ⑥ WET REFLECTIVE TEMPORARY TAPE TYPE III, 4 INCH, WHITE, 2'D-6'S
 - ⑦ WET REFLECTIVE TEMPORARY TAPE TYPE III, 5 INCH WHITE, 10'D-30'S
 - ⑧ WET REFLECTIVE TEMPORARY TAPE TYPE III, 8 INCH WHITE
 - ⑨ WET REFLECTIVE TEMPORARY TAPE TYPE III, 12 INCH WHITE
 - ⑩ IMPACT ATTENUATORS, RELOCATE (FULLY REDIRECTIVE, NARROW), TEST LEVEL 3
 - ⑪ IMPACT ATTENUATORS, TEMPORARY (NON-REDIRECTIVE), TEST LEVEL 3
 - ⑫ IMPACT ATTENUATORS, RELOCATE (NON-REDIRECTIVE), TEST LEVEL 3



BOWMAN, BARRETT & ASSOCIATES INC.
 CONSULTING ENGINEERS
 Chicago, Illinois
 312.228.0100
 www.bbainc.com

USER NAME = default	DESIGNED - RA	REVISED -
PLOT SCALE = *SCALE*	DRAWN - RA	REVISED -
PLOT DATE = 3/29/2013	CHECKED - RGR	REVISED -
	DATE - 03/29/2013	REVISED -

**STATE OF ILLINOIS
 DEPARTMENT OF TRANSPORTATION**

**MAINTENANCE OF TRAFFIC
 STAGE 1**

SCALE: 1"=50' SHEET NO. 6 OF 47 SHEETS STA. TO STA.

F.A.I. RTE.	SECTION	COUNTY	TOTAL SHEETS	SHEET NO.
94	2012-059-BR	COOK	631	98
CONTRACT NO. 60J12			ILLINOIS FED. AID PROJECT	

S:\1072-05-CADD\01680112-Sht-1-10-13.dwg