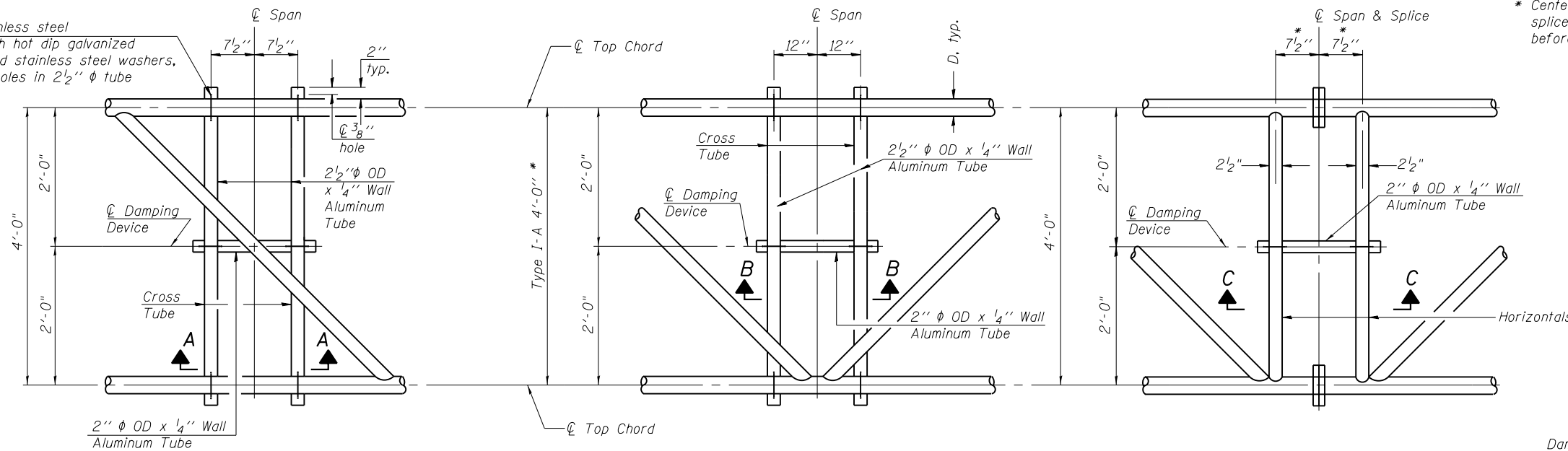


5/16" φ stainless steel
U- bolt with hot dip galvanized
locknuts and stainless steel washers,
typ. 3/8" φ holes in 2 1/2" φ tube

* Center of horizontal to center of
splice dimension may vary. Verify
before drilling holes in mounting tube.

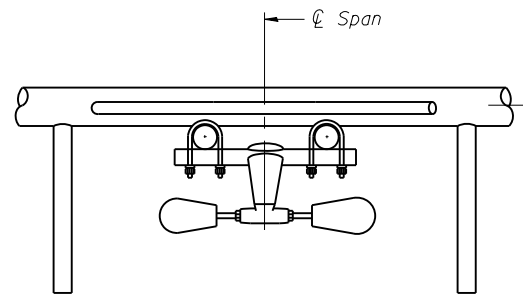


PLAN DETAIL "A"
℄ Span between Panel Points

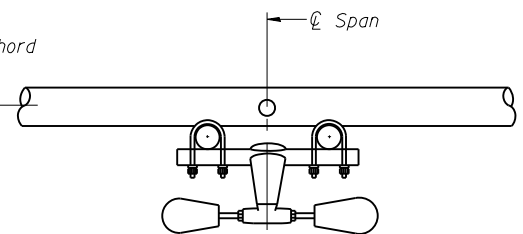
PLAN DETAIL "B"
℄ Span at Panel Point

PLAN DETAIL "C"
℄ Span at ℄ Chord Splice

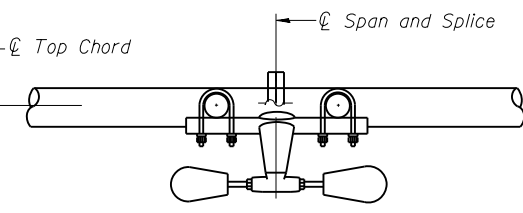
NOTES
Damper: One damper per truss. (31 lbs. minimum Stockbridge-Type Aluminum - 29" minimum between ends of weights) Cost included in Overhead Sign Structure...
Materials: Materials: Aluminum tubes shall be ASTM B221 alloy 6061 temper T6. Cost included in Overhead Sign Structure...



SECTION A-A

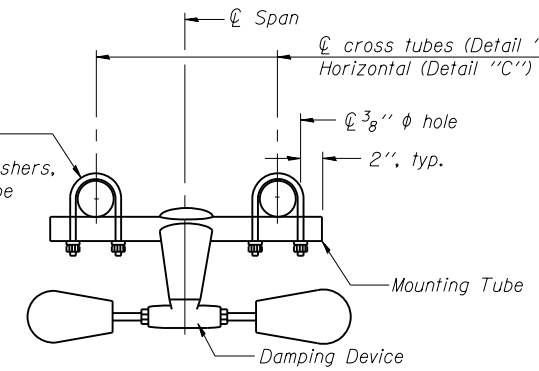


SECTION B-B

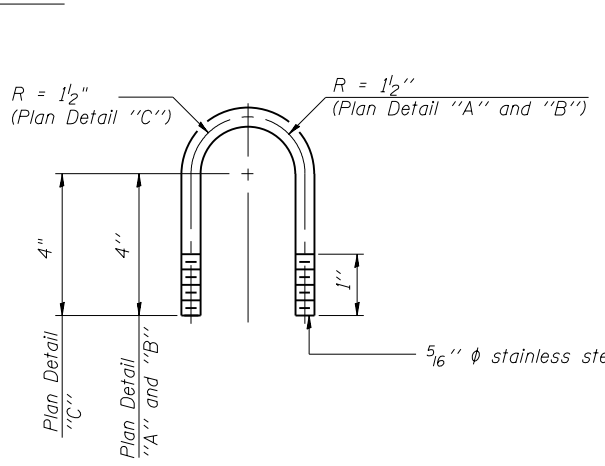


SECTION C-C

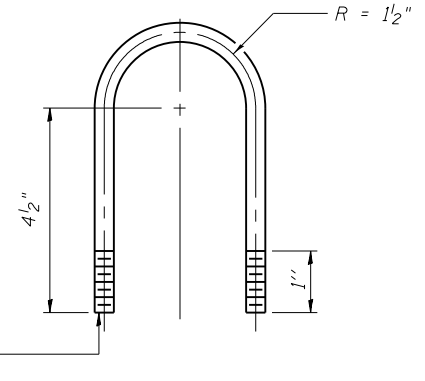
5/16" φ stainless steel
U- bolt with hot dip galvanized
locknuts and stainless steel washers,
typ. 3/8" φ holes in mounting tube



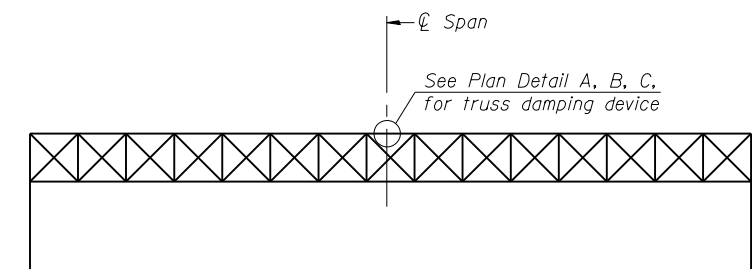
**TRUSS DAMPING
DEVICE CONNECTION DETAIL**
(Typical)



**DAMPING DEVICE MOUNTING
TUBE U-BOLT DETAIL**
(Typical)



**TOP CHORD TO CROSS TUBE
U-BOLT DETAIL**
(Typical - Detail "A" and "B")



ELEVATION
Aluminum Overhead
Sign Truss

2/12/27 PM

S:\1072_05_CADD\Structures\CADD Sheets\SignStructures-68.112-004-00.dwg/1/2013

OS-A-D

6-1-12

BOWMAN, BARRETT & ASSOCIATES INC.
CONSULTING ENGINEERS
Chicago, Illinois
312.228.0100
www.bbainc.com

USER NAME =	DESIGNED - JGC	REVISED -
PLOT SCALE =	CHECKED - BAK	REVISED -
PLOT DATE = 03/29/2013	DRAWN - JGC	REVISED -
	CHECKED - TL	REVISED -

STATE OF ILLINOIS
DEPARTMENT OF TRANSPORTATION

OVERHEAD SIGN STRUCTURE
DAMPING DEVICE

SHEET NO. S-4 OF S-18 SHEETS

F.A.I. RTE.	SECTION	COUNTY	TOTAL SHEETS	SHEET NO.
94	2012-059-BR	COOK	631	248
CONTRACT NO. 60J12				

ILLINOIS FED. AID PROJECT