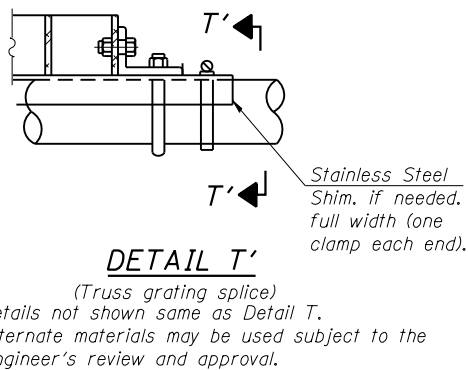
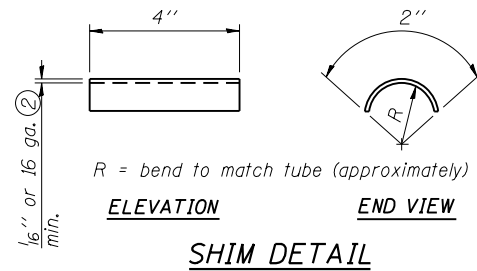


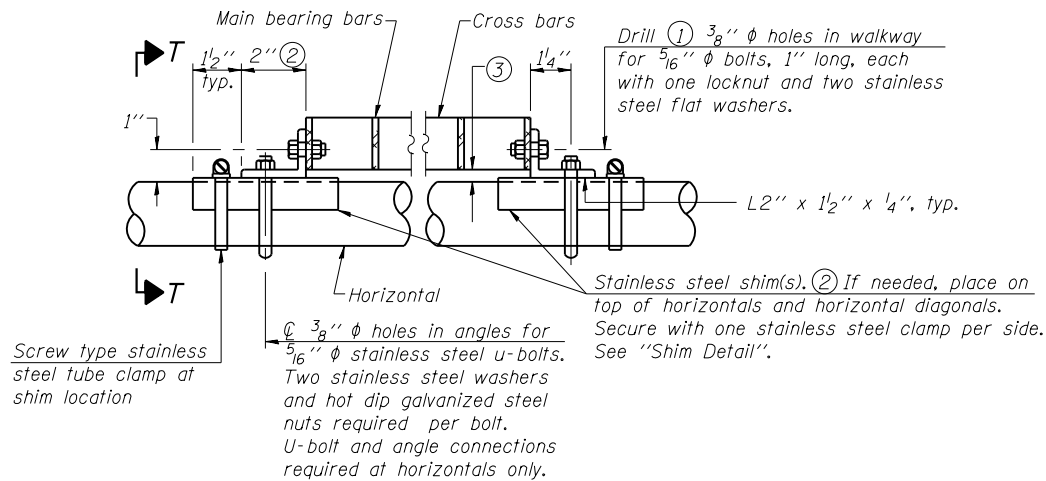
SECTION B-B



DETAIL T'

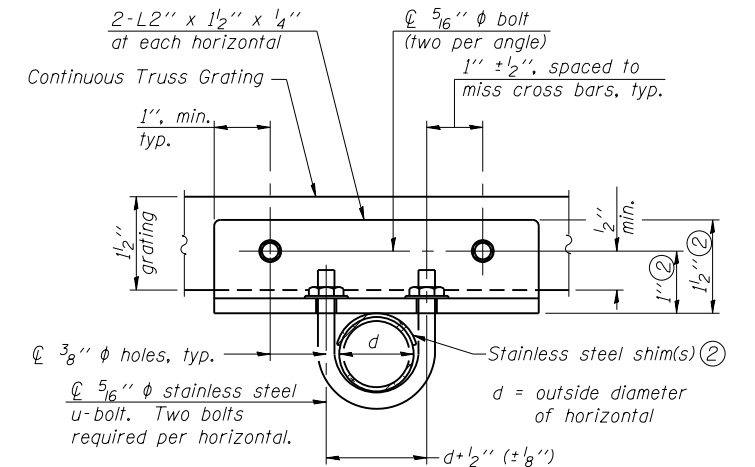


R = bend to match tube (approximately)

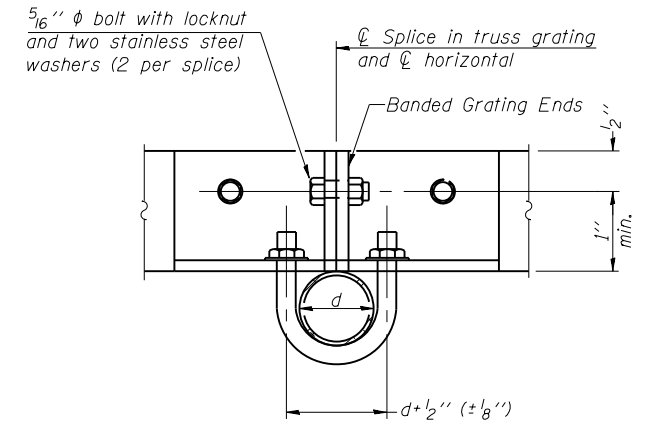


DETAIL T

(Continuous Truss grating)



SECTION T-T



SECTION T'-T'

SPECIFICATIONS FOR STANDARD ALUMINUM GRATING

Main Bearing Bars shall be 3/16" x 1/2" on 1 3/16" centers and conform to ASTM B221 Alloy 6061-T6.
 Cross bars shall be 3/16" x 1/2" on 4" centers and conform to ASTM B221 Alloy 6063-T5 or 6061-T6.

OR

Aluminum Grating with modified "T" sections for main bearing bars shall meet the following requirements:
 Main bars shall conform to ASTM B221 Alloy 6061-T6 and have a minimum section modulus equal to 0.0705 in.³ per bar, a depth of 1 1/2", spaced on 1 3/16" centers.
 Cross bars shall conform to ASTM B221 Alloy 6063-T5 or T-42 and spaced on 4" centers.

Structure Number	Station	A	④ B	C	④ D
ISO161094L000.0-001	2208+36	5 1/2"	3'-6"	4'-6"	11'-6"
ISO161094R000.0-002	79+80	5 1/2"	3'-0"	4'-6"	10'-6"
ISO161094R000.0-002	97+50	5 1/2"	3'-3"	4'-6"	11'-0"
ISO161094R000.0-001	602+17	5 1/2"	3'-6"	4'-6"	11'-6"

- ① Drilling holes in grating may be done in shop or field, based on Contractor's preference and subject to accurate alignment.
- ② Stainless steel shims shall be placed as shown in Detail T if needed to compensate for alignment variations between horizontal and diagonal pipes beyond adjustment provided by angles. Thicker shims may be used subject to shims performing properly.
- ③ Tube to grating gap may vary from 0 to 1/2", max. to align walkway, allow for camber, etc.
- ④ Based on actual height of tallest sign given on S-1.

OS-A-1 6-1-12

BOWMAN, BARRETT & ASSOCIATES INC.
 CONSULTING ENGINEERS
 Chicago, Illinois
 312.228.0100
 www.bbainc.com

USER NAME =	DESIGNED - JGC	REVISED -
PLOT SCALE =	CHECKED - BAK	REVISED -
PLOT DATE = 03/29/2013	DRAWN - JGC	REVISED -
	CHECKED - TL	REVISED -

STATE OF ILLINOIS
 DEPARTMENT OF TRANSPORTATION

OVERHEAD SIGN STRUCTURES
 ALUMINUM WALKWAY DETAILS

SHEET NO. S-10 OF S-18 SHEETS

F.A.I. RTE.	SECTION	COUNTY	TOTAL SHEETS	SHEET NO.
94	2012-059-BR	COOK	631	254
CONTRACT NO. 60J12				
ILLINOIS FED. AID PROJECT				

2/12/2013 PM

S:\1072_05_CADD\Structures\CADD Sheets\SignStructures-60J12-010-A\03/29/2013