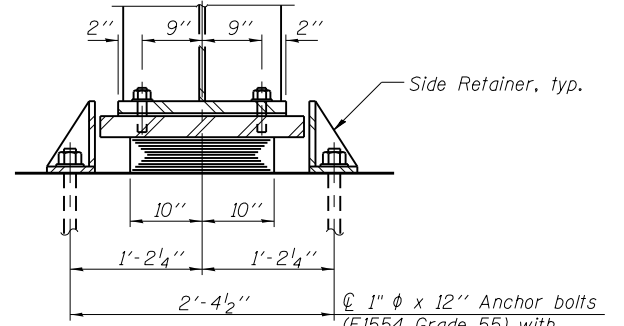


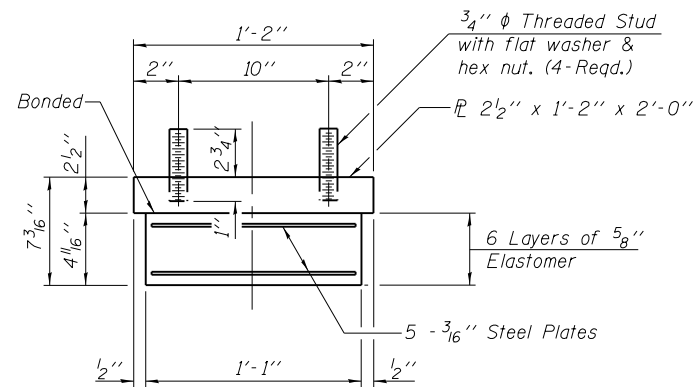
ELEVATION AT ABUT.



SECTION A-A

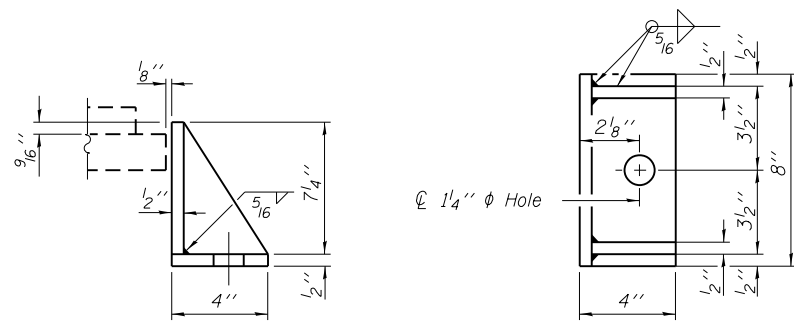
1" ϕ x 12" Anchor bolts (F1554 Grade 55) with 2 1/4" x 2 1/4" x 5/16" PL washer under nut

TYPE I ELASTOMERIC EXP. BRG.



BEARING ASSEMBLY

Note:
Shim plates shall not be placed under Bearing Assembly.



SIDE RETAINER

Equivalent rolled angle with stiffeners will be allowed in lieu of welded plates.

Notes:

Anchor bolts shall be ASTM F1554 all-thread (or an Engineer-approved alternate material) of the grade(s) and diameter(s) specified. The corresponding specified grade of AASHTO M314 anchor bolts may be used in lieu of ASTM F1554.

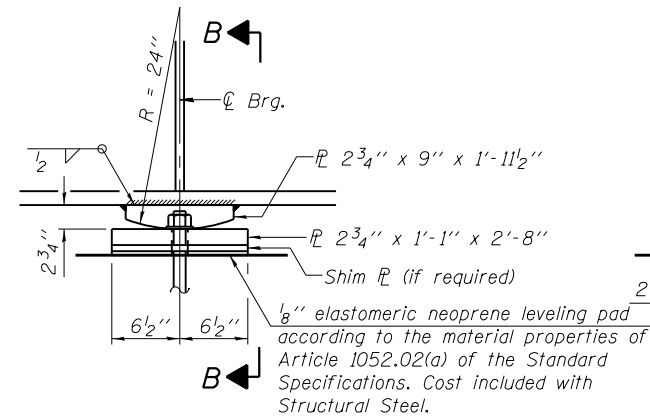
Anchor bolts at fixed bearings may be either cast in place or installed in holes drilled after the supported member is in place.

Anchor bolts for side retainers may be cast in place or installed in holes drilled before or after members are in place.

Drilled and set anchor bolts shall be installed according to Article 521.06 of the Standard Specifications.

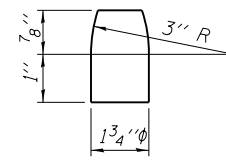
Side retainers and other steel members required for the elastomeric bearing assembly shall be included in the cost of Elastomeric Bearing Assembly, Type I.

Two 1/8" adjusting shims shall be provided for each bearing in addition to all other plates or shims and placed as shown on bearing details.

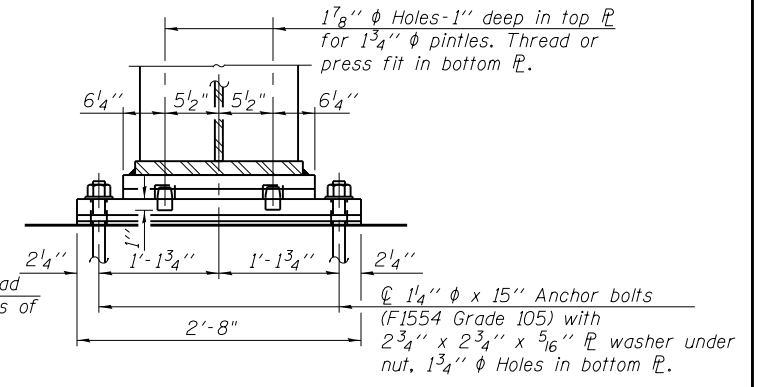


ELEVATION AT PIER

FIXED BEARING



PINTLE



SECTION B-B

BILL OF MATERIAL

Item	Unit	Total
Elastomeric Bearing Assembly Type I	Each	12
Anchor Bolts, 1"	Each	24
Anchor Bolts, 1 1/4"	Each	12



USER NAME =	DESIGNED - JGC	REVISED -
PLOT SCALE =	CHECKED - BAK	REVISED -
PLOT DATE = 03/29/2013	DRAWN - JGC	REVISED -
	CHECKED - TL	REVISED -

F.A.I. RTE.	SECTION	COUNTY	TOTAL SHEETS	SHEET NO.
94	2012-059-BR	COOK	631	399
CONTRACT NO. 60J12				
ILLINOIS FED. AID PROJECT				