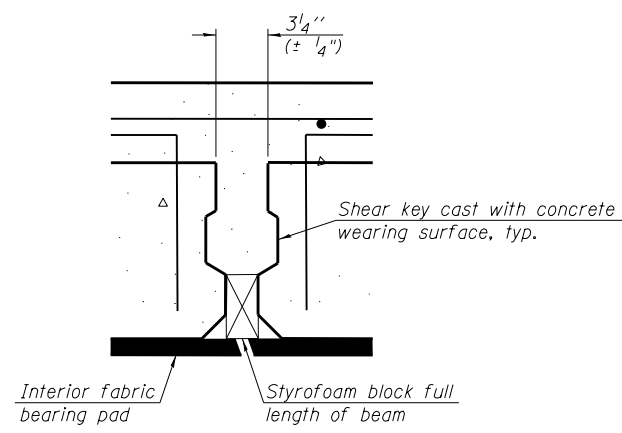
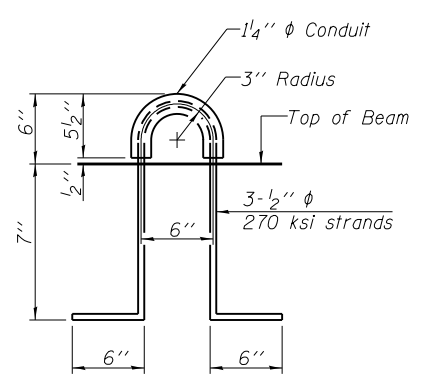


INTERIOR **EXTERIOR**
FABRIC BEARING PAD

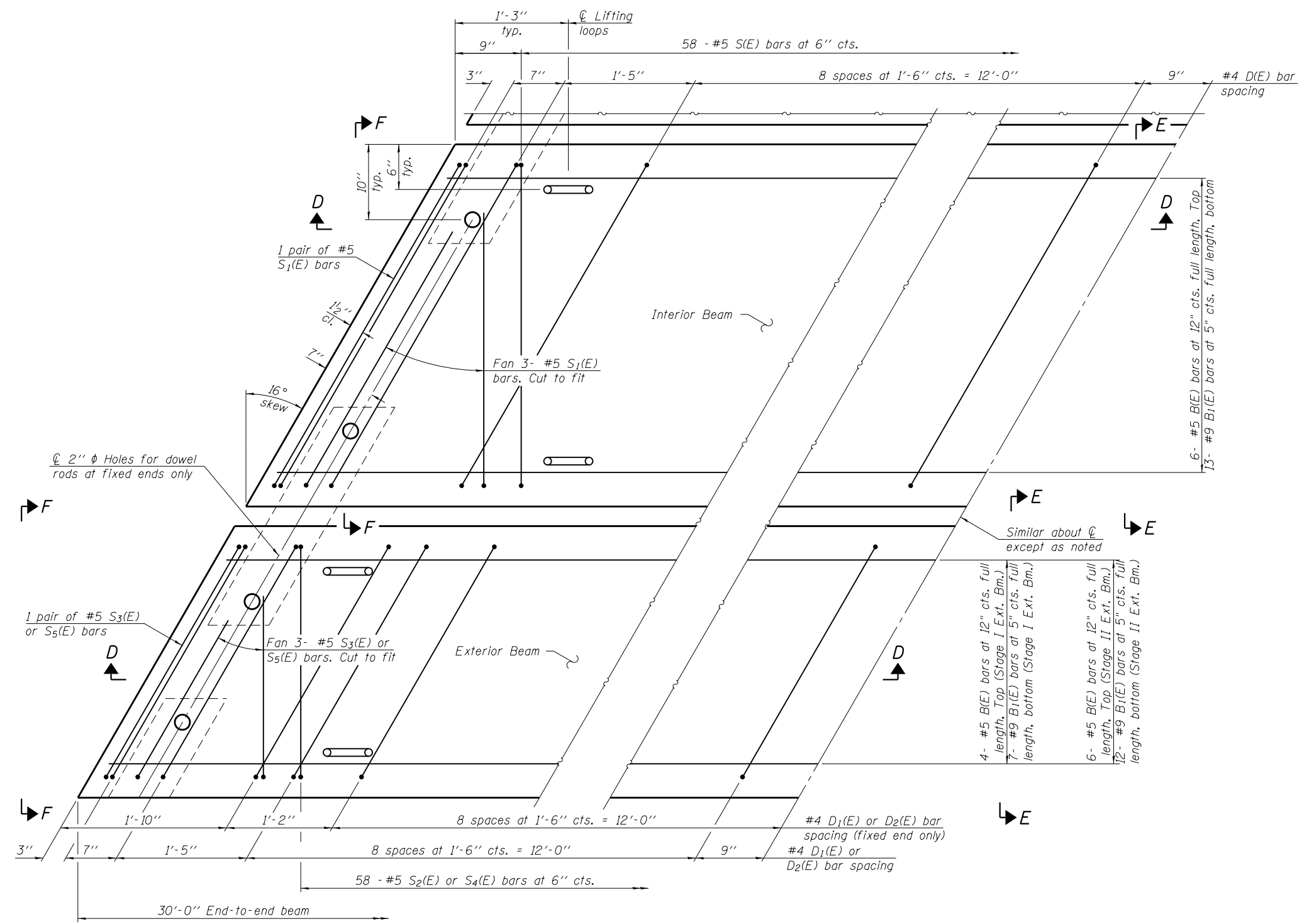
Notes:
All bearing pads shall be 1/2" thick.
Omit holes for fabric bearing pads at approach slab footing end of beams.
Expansion bearing pad shall be bonded to the approach slab footing.



SECTION THRU SHEAR KEY JOINT



LIFTING LOOP DETAIL



PLAN VIEW

(showing precast bridge approach beams)

2/4/19 PM

4/18/2013

S:\1072_05_CADD\Structure\1 SN 0162440\CADD Sheets\0162440-60J12-022-A303.dgn

BOWMAN, BARRETT & ASSOCIATES INC.
CONSULTING ENGINEERS
Chicago, Illinois
312.228.0100
www.bbainc.com

USER NAME =	DESIGNED - TL	REVISED -
PLOT SCALE =	CHECKED - BAK	REVISED -
PLOT DATE = 03/29/2013	DRAWN - TL	REVISED -
	CHECKED - BAK	REVISED -

STATE OF ILLINOIS
DEPARTMENT OF TRANSPORTATION

PRECAST BRIDGE APPROACH SLAB DETAILS III
STRUCTURE NO. 016-2440

SHEET NO. S-22 OF S-47 SHEETS

F.A.I. RTE. 94	SECTION 2012-059-BR	COUNTY COOK	TOTAL SHEETS 631	SHEET NO. 450
CONTRACT NO. 60J12				

ILLINOIS FED. AID PROJECT