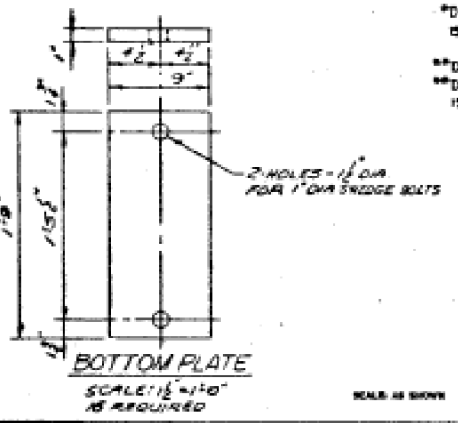
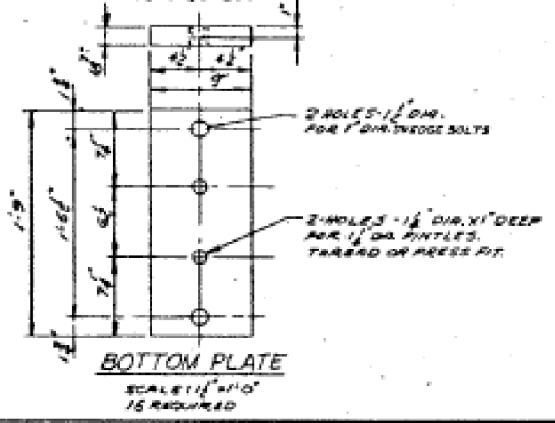
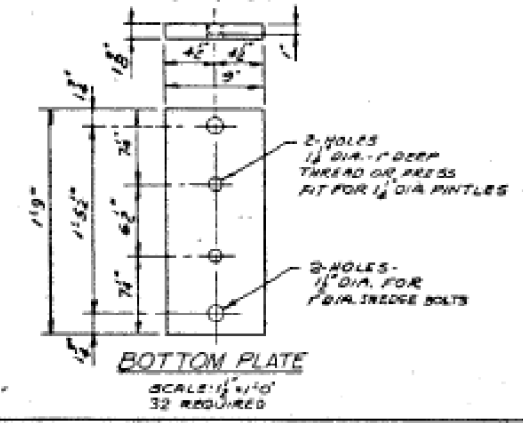
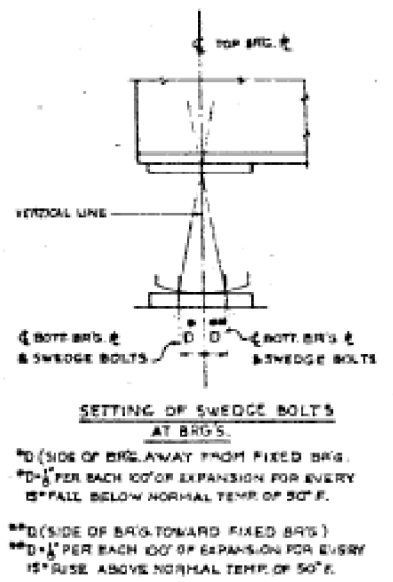
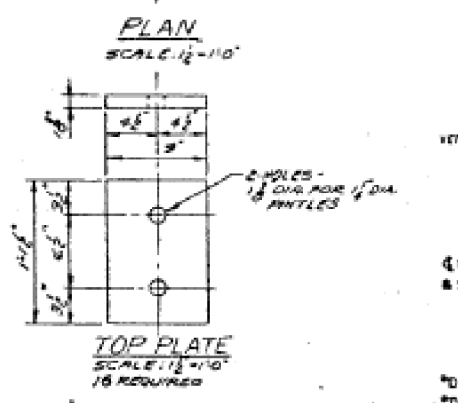
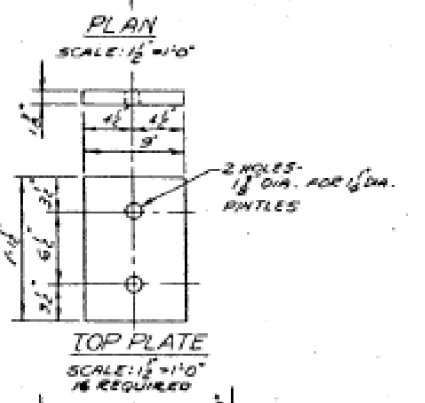
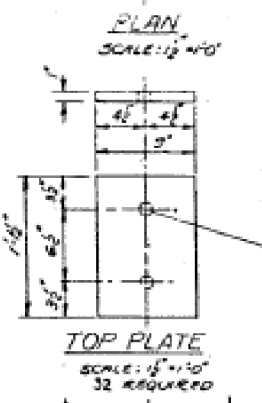


NOTE:
SWEDGE BOLTS FOR FIXED BRG'S TO BE CAST IN PLACE. ALL SWEDGE BOLTS ARE 1" DIA. ALL WASHERS ARE 2"x2 1/2" 1/2"



REVISIONS		
DATE	BY	DESCRIPTION

DEPARTMENT OF HIGHWAYS
COOK COUNTY, ILLINOIS

GEORGE W. QUINCE
PRESIDENT BOARD OF SUPERVISORS

THOMAS G. COTTS
SUPERVISOR

ROCKERS, BOLSTERS & BEARING PLATES
STONY ISLAND CONNECTOR TO FAI 94
OVER ACCESS ROAD TO FRONTAGE ROAD

COMPUTED BY: J. J. ... PROJECT: ABU-246 (63)
CHECKED BY: J. J. ...
DRAWN BY: J. J. ...
DATE: 1/24/63

DATE: 1/24/63
BY: J. J. ...
DESCRIPTION: ...

DATE: 1/24/63
BY: J. J. ...
DESCRIPTION: ...

DATE: 1/24/63
BY: J. J. ...
DESCRIPTION: ...

DATE: 1/24/63
BY: J. J. ...
DESCRIPTION: ...

DATE: 1/24/63
BY: J. J. ...
DESCRIPTION: ...

USER NAME :	DESIGNED - GFP/ GMK	REVISED -
PLOT SCALE :	DRAWN - GFP	REVISED -
PLOT DATE :	CHECKED - GMK	REVISED -
FILE NAME :	DATE - 03/29/13	REVISED -



STATE OF ILLINOIS
DEPARTMENT OF TRANSPORTATION

EXISTING PLAN (FOR INFORMATION ONLY)
SN 016-2439

SHEET NO. S13 OF S18 SHEETS

F.A.I. RTE.	SECTION	COUNTY	TOTAL SHEETS	SHEET NO.
94	2012-059-BR	COOK	631	488
CONTRACT NO. 60J12				
FED. ROAD DIST. NO. 1 ILLINOIS FED. AID PROJECT				