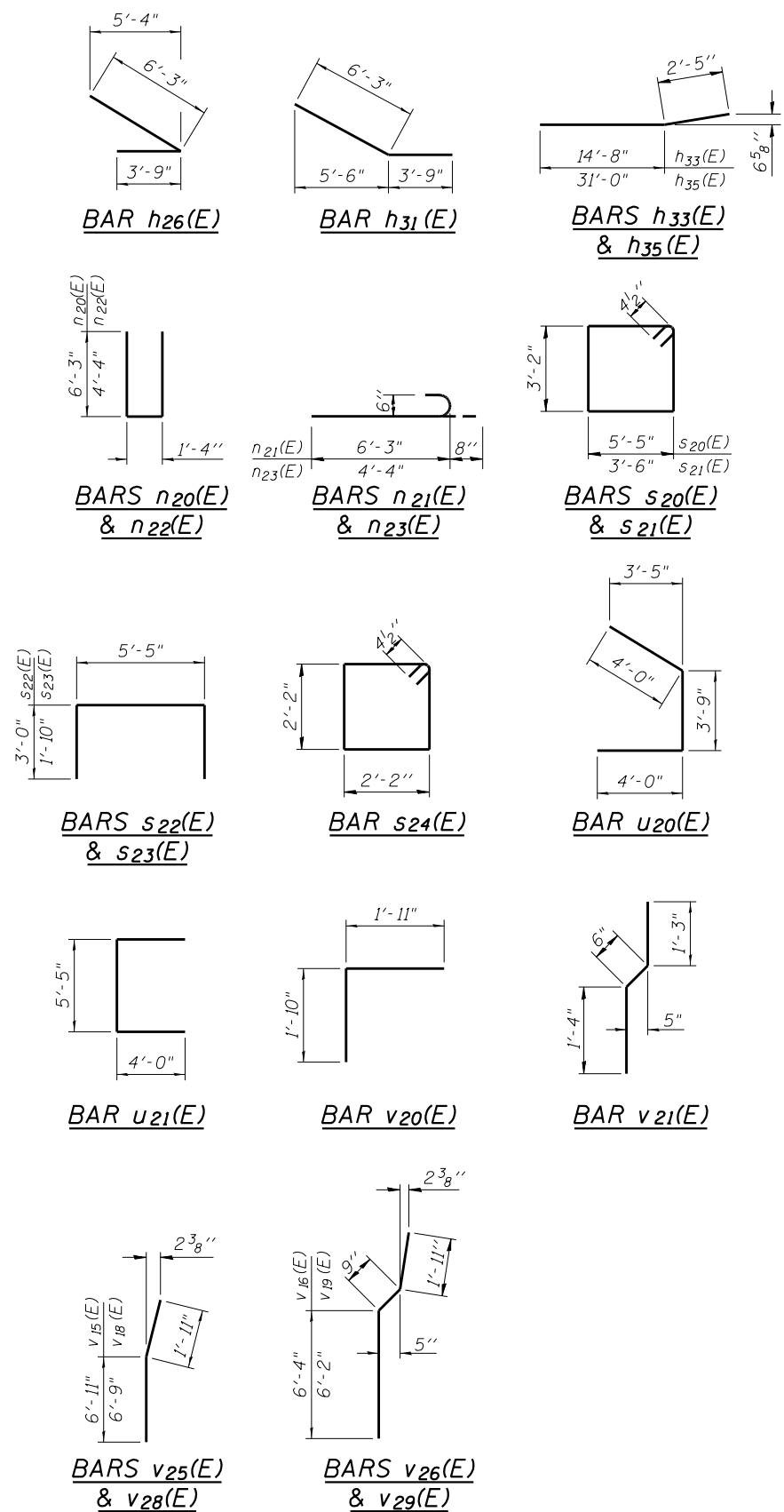


3:33:36 PM

4/30/2013

S:\1072_05_CADD\Structure\0162471-60\12-036-EA03.dgn



**EAST ABUTMENT
BILL OF MATERIAL**

Bar	No.	Size	Length	Shape
h21(E)	10	#5	19'-1"	
h22(E)	5	#5	18'-7"	
h23(E)	5	#5	7'-4"	
h24(E)	10	#5	29'-4"	
h25(E)	5	#6	29'-4"	
h26(E)	12	#5	10'-0"	
h27(E)	5	#5	21'-6"	
h28(E)	5	#5	10'-6"	
h29(E)	10	#5	32'-10"	
h30(E)	5	#6	32'-10"	
h31(E)	12	#5	10'-0"	
h32(E)	14	#4	18'-8"	
h33(E)	10	#4	17'-1"	
h34(E)	12	#4	31'-8"	
h35(E)	8	#4	33'-5"	
n20(E)	30	#6	13'-10"	
n21(E)	6	#6	6'-11"	
n22(E)	17	#6	10'-0"	
n23(E)	6	#6	5'-0"	
p20(E)	24	#7	20'-1"	
p21(E)	6	#7	32'-6"	
p22(E)	24	#7	20'-4"	
p23(E)	6	#7	18'-4"	
s20(E)	57	#4	17'-11"	
s21(E)	2	#4	14'-1"	
s22(E)	33	#4	11'-5"	
s23(E)	23	#4	9'-1"	
s24(E)	51	#4	9'-5"	
u20(E)	4	#6	11'-9"	
u21(E)	4	#6	13'-5"	
v20(E)	64	#5	3'-9"	
v21(E)	64	#4	3'-1"	
v22(E)	64	#4	5'-4"	
v23(E)	64	#4	6'-7"	
v24(E)	20	#6	8'-10"	
v25(E)	3	#6	8'-10"	
v26(E)	17	#6	9'-0"	
v27(E)	33	#6	8'-8"	
v28(E)	3	#6	8'-8"	
v29(E)	30	#6	8'-10"	
Concrete Structures		Cu. Yd.	117.9	
Reinforcement Bars, Epoxy Coated		Pound	10,040	
Furnishing Metal Shell Piles 12" X 0.250"		Foot	828	
Driving Piles		Foot	828	
Test Pile Metal Shells		Each	1	
Concrete Sealer		Sq. Ft.	711	

BOWMAN, BARRETT & ASSOCIATES INC.
CONSULTING ENGINEERS
Chicago, Illinois
312.228.0100
www.bbadainc.com

USER NAME =	DESIGNED - TL	REVISED -
CHECKED - BAK	REVISED -	
PLOT SCALE =	DRAWN - TL	REVISED -
PLOT DATE = 03/29/2013	CHECKED - BAK	REVISED -

STATE OF ILLINOIS
DEPARTMENT OF TRANSPORTATION

EAST ABUTMENT BILL OF MATERIALS
STRUCTURE NO. 016-2471

SHEET NO. S-36 OF S-63 SHEETS

F.A.I. RTE.	SECTION	COUNTY	TOTAL SHEETS	SHEET NO.
94	2012-059-BR	COOK	631	529
CONTRACT NO. 60J12				

ILLINOIS FED. AID PROJECT