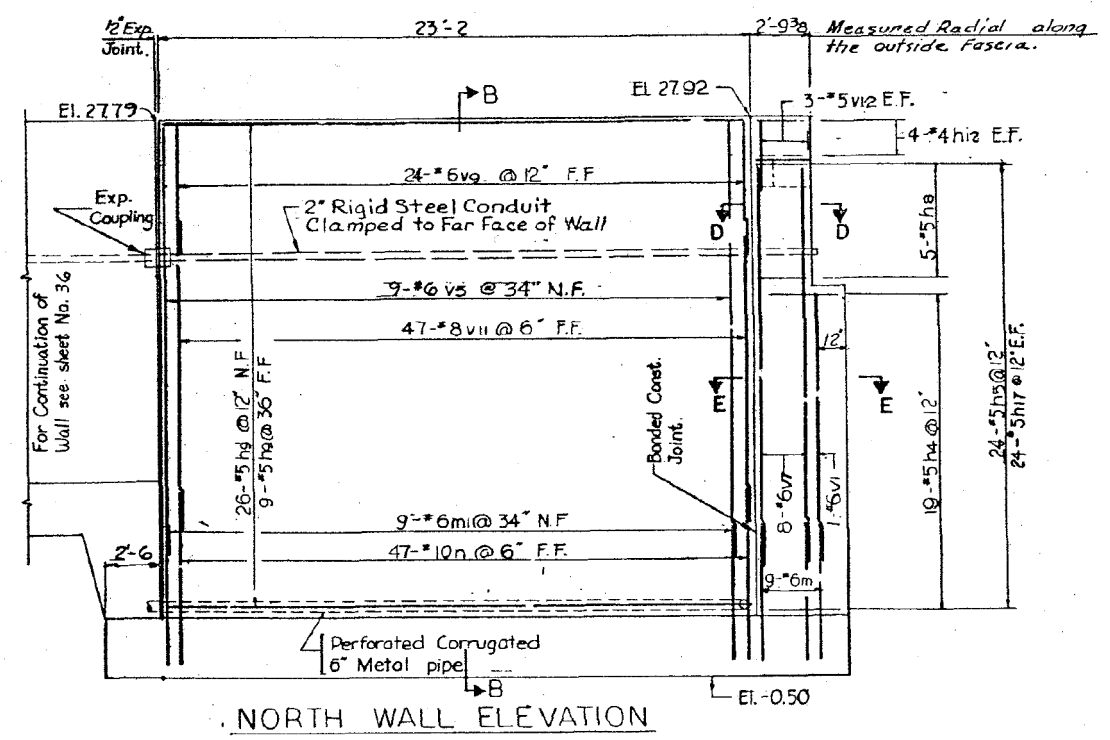
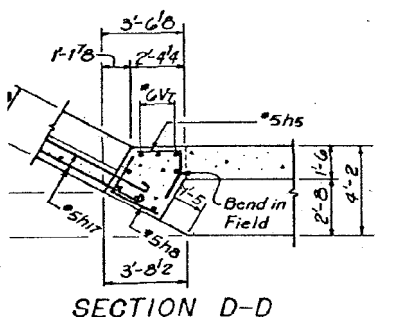


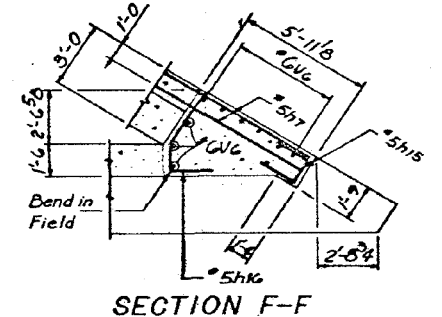
SOUTH WALL ELEVATION



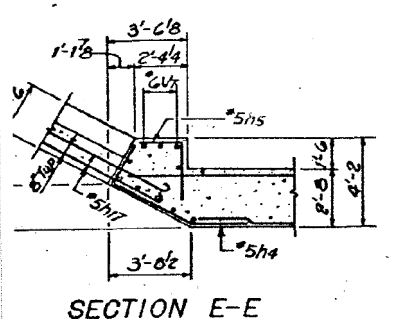
NORTH WALL ELEVATION



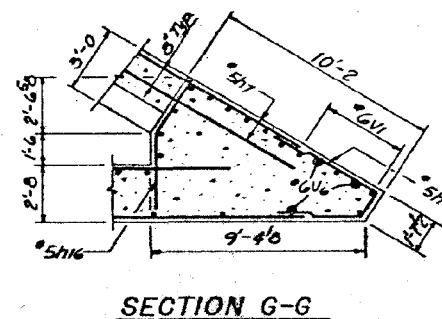
SECTION D-D



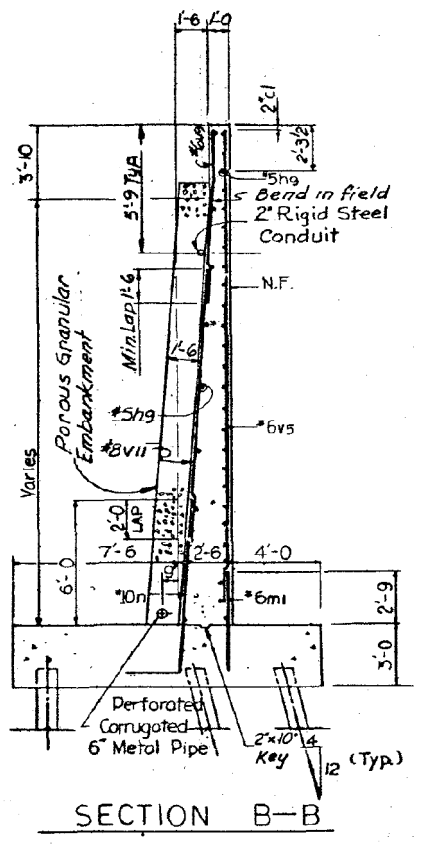
SECTION F-F



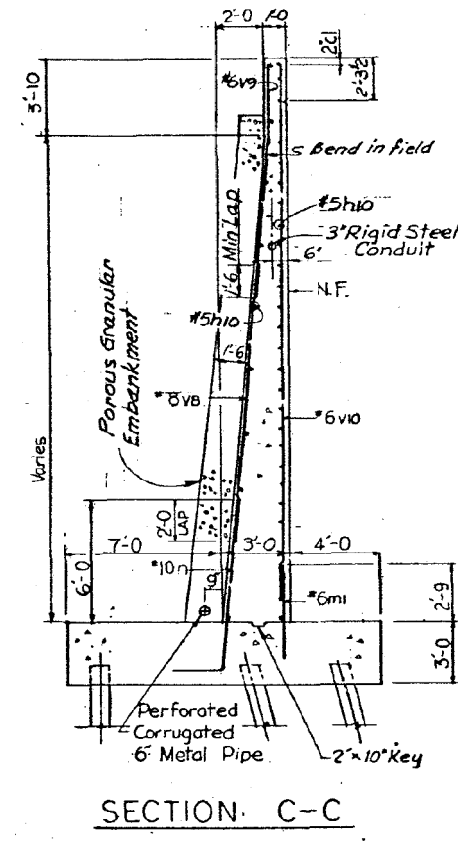
SECTION E-E



SECTION G-G



SECTION B-B



SECTION C-C

NOTES

- N.F. Indicates Near Face.
- F.F. Indicates Far Face.
- E.F. Indicates Each Face.
- Bars marked thus 2-3-#5 etc indicate 2 lines of bars with 3 lengths per line.
- For location of North and South Wall see sheet No. 25.
- Clearance from face of concrete to face of steel shall be 2" unless otherwise shown.

ITEM	UNIT	TOTAL
REINFORCEMENT BARS	LB	53928
CLASS X CONCRETE	C. Y.	509.7
EXCAVATION	C. Y.	292
POROUS GRANULAR EMBANKMENT	C. Y.	156
PROTECTIVE COAT	S. Y.	22
STEEL PILES	LIN. FT.	2150
TEST PILES	EA	1
CAST IRON PIPE	LIN. FT.	14

REVISIONS		
DATE	BY	DESCRIPTION

BILL OF MATERIAL				
BAR	NO.	SIZE	LENGTH	SHAPE
h	29	#5	31'-0"	
h1	25	#5	15'-0"	
h2	5	#5	10'-0"	
h3	60	#5	27'-6"	
h4	19	#5	7'-6"	
h5	24	#5	5'-6"	
h6	21	#5	9'-1"	
h7	54	#5	8'-0"	
h8	5	#5	4'-6"	
h9	35	#5	22'-10"	
h10	39	#5	26'-4"	
h11	8	#4	5'-7"	
h12	8	#4	2'-5"	
h13	12	#4	3'-0"	
h14	24	#4	24'-9"	
h15	6	#5	4'-3"	
h16	21	#5	6'-2"	
h17	48	#5	3'-9"	
m	53	#6	7'-0"	
m1	19	#6	5'-3"	
n	101	#10	10'-6"	
n1	108	#11	10'-6"	
v	55	#11	17'-0"	
v1	36	#6	17'-0"	
v2	153	#4	6'-0"	
v3	50	#5	6'-3"	
v4	73	#5	8'-0"	
v5	9	#6	24'-0"	
v6	9	#6	22'-9"	
v7	8	#6	22'-0"	
v8	54	#8	11'-3"	
v9	51	#6	4'-6"	
v10	10	#6	26'-9"	
v11	47	#8	8'-6"	
v12	18	#5	3'-9"	
v13	24	#5	5'-7"	
t	39	#8	7'-0"	
t1	31	#8	11'-9"	
t2	16	#8	17'-6"	
t3	215	#8	13'-6"	
t4	15	#8	Varies	
t5	6	#9	Varies	
t6	44	#9	7'-0"	
t7	60	#9	13'-6"	
w	4	#6	21'-9"	
w1	4	#6	27'-0"	
w2	8	#6	16'-6"	
w3	4	#6	6'-9"	
w4	6	#7	20'-6"	
w5	5	#7	25'-0"	
w6	8	#7	14'-6"	
w7	3	#7	5'-0"	
w8	36	#7	30'-0"	
w9	6	#7	28'-6"	
w10	51	#6	30'-0"	
w11	16	#6	31'-0"	
w12	17	#7	31'-0"	

Bar h4 & h6

Bar v1 & v3

Bar v4

Bar n1

Bar v13

BAR n

BAR h7

BAR h14

DEPARTMENT OF HIGHWAYS

GEORGE W. DUNNE  
PRESIDENT BOARD OF COMMISSIONERS  
SUPERINTENDENT OF HIGHWAYS

ABUTMENT NO. 2 DETAILS

STONY ISLAND CONNECTOR FAI 94  
LINE E STRUCTURE

ENGINEER	PROJECT	SCALE
ANDERLE, BENDER, STONE & ASSOCIATES INC CONSULTING ENGINEERS CHICAGO, ILLINOIS	EBU 246(78)	AS SHOWN
APPROVED	DATE	BY
<i>[Signature]</i>	APR 24 2012	<i>[Signature]</i>
REVISION NO.	COUNTY HWY.	SHEET TOTAL SHEETS
122	174A	27 37

BOWMAN, BARRETT & ASSOCIATES INC.  
CONSULTING ENGINEERS  
Chicago, Illinois  
312.228.0100  
www.bbainc.com

USER NAME	DESIGNED	REVISED
PLOT SCALE	CHECKED - BAK	REVISED
PLOT DATE	DRAWN	REVISED
	CHECKED	REVISED

STATE OF ILLINOIS  
DEPARTMENT OF TRANSPORTATION

EXISTING PLANS (FOR INFORMATION ONLY)  
STRUCTURE NO. 016-2471

SHEET NO. S-57 OF S-63 SHEETS

F.A.I. RTE.	SECTION	COUNTY	TOTAL SHEETS	SHEET NO.
94	2012-059-BR	COOK	631	550
CONTRACT NO. 60J12				

ILLINOIS FED. AID PROJECT