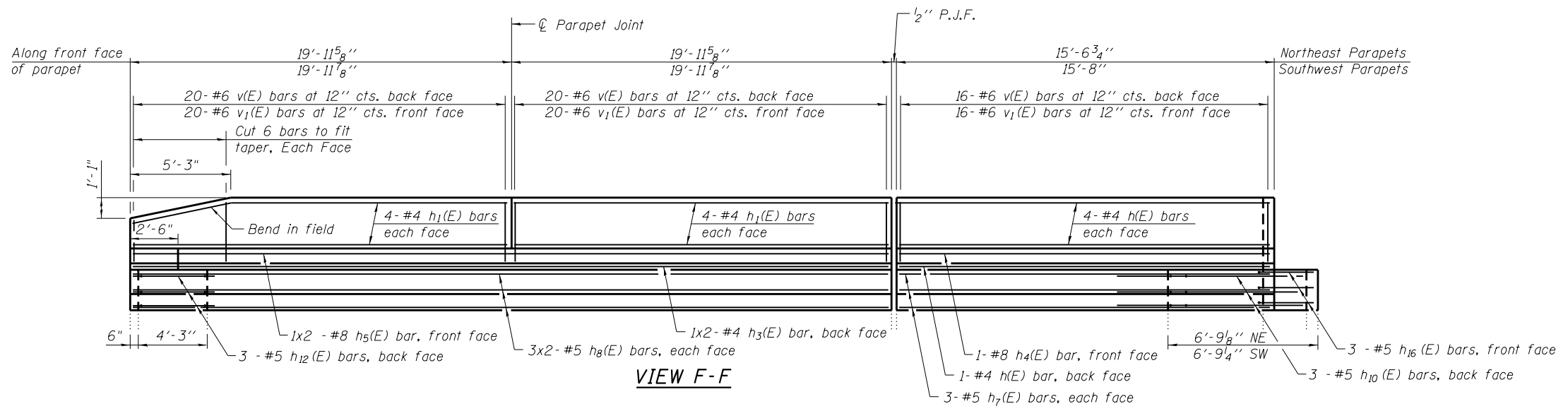


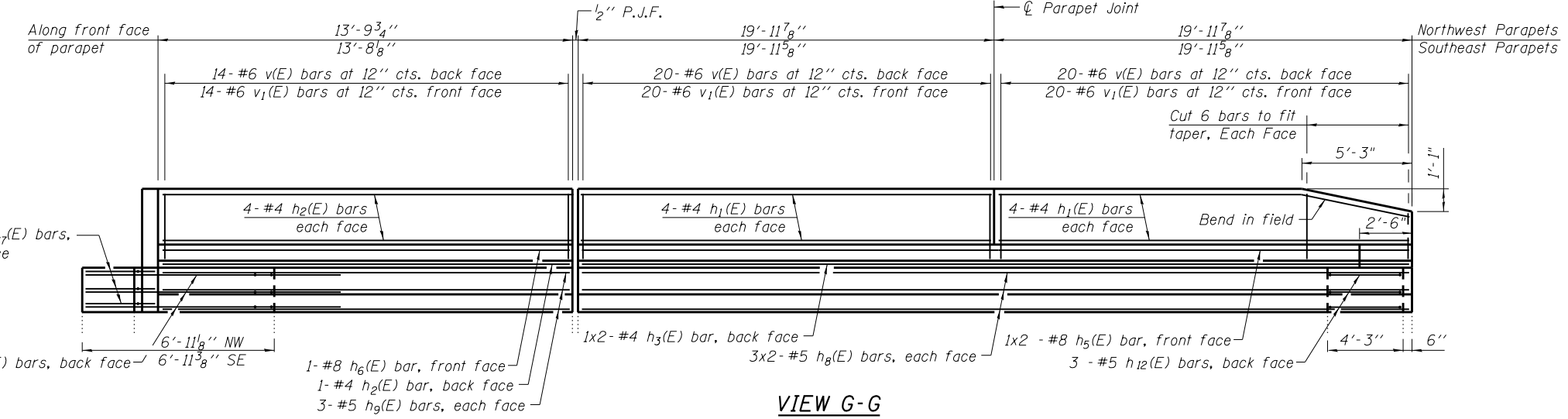
2:55:07 PM

3/29/2013

S:\1072\_05\_CADD\Structure\1 SN 0162441\_2442\CADD Sheets\0162441-2442-60J12-017-AS04.dgn



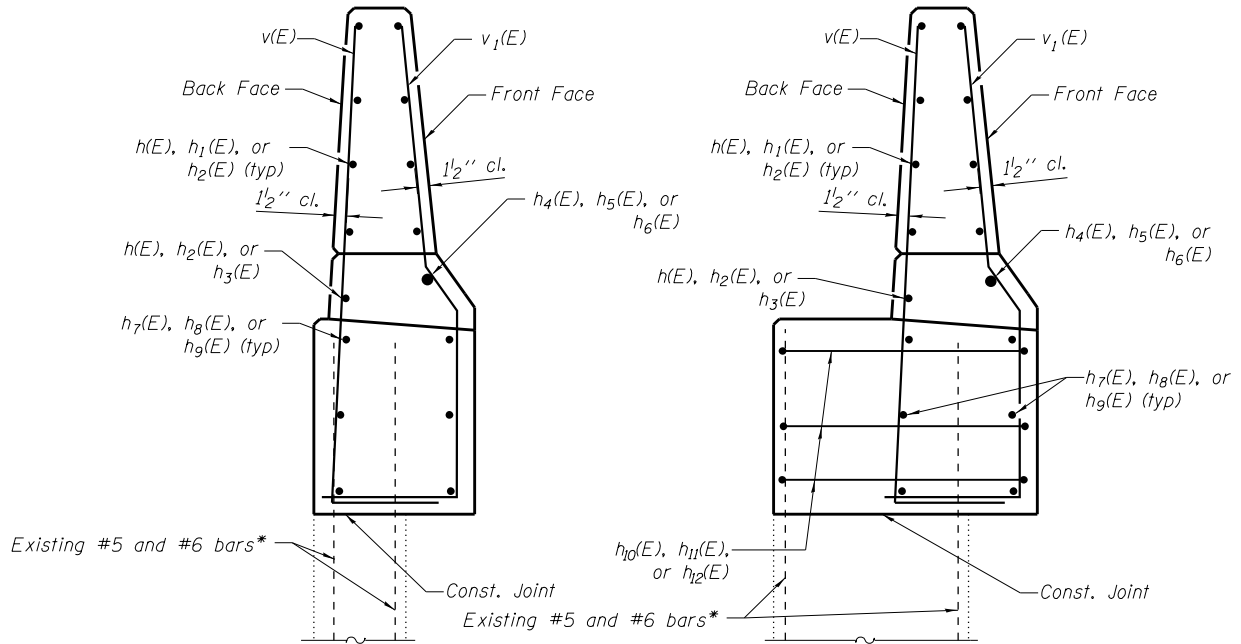
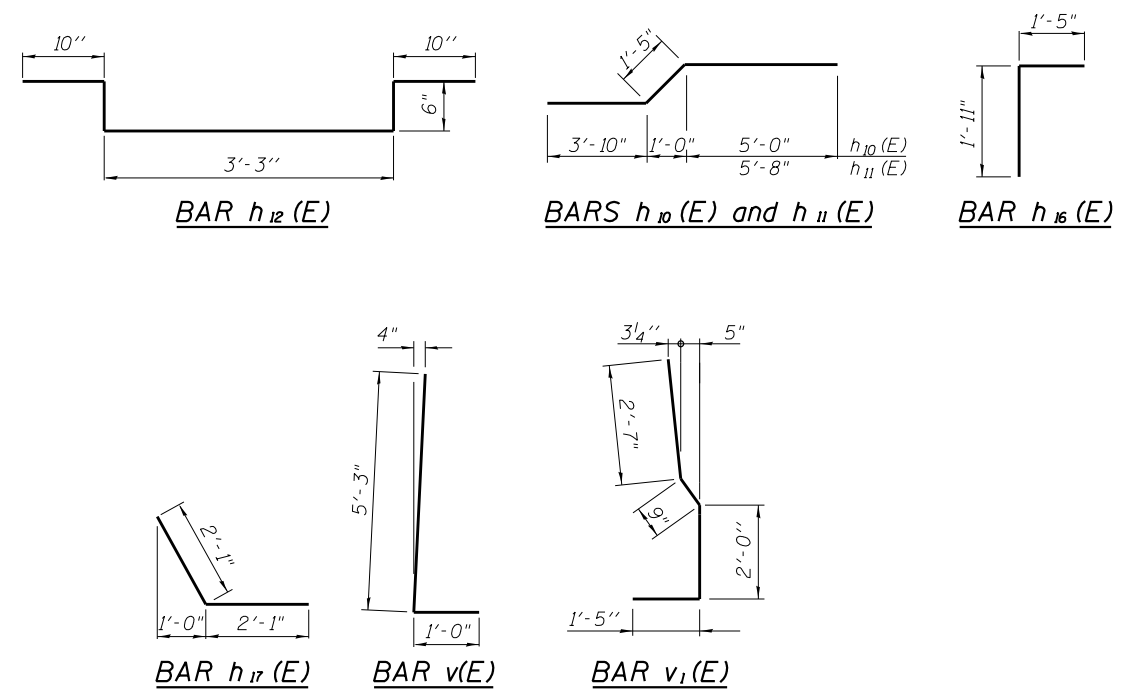
VIEW F-F



VIEW G-G

Notes:  
For parapet joint details, see Sheet S-6.  
Trim bars as required to fit at deck expansion joint.

MIN. BAR LAP  
#4 bar = 2'-0"  
#5 bar = 3'-8"  
#8 bar = 5'-2"



TYPICAL PARAPET SECTION

PARAPET SECTION AT ENDS

\* Clean and incorporate existing reinforcement into new construction. Cost included with Concrete Removal.

TWO STRUCTURES  
EIGHT WINGWALLS  
BILL OF MATERIAL

Bar	No.	Size	Length	Shape
h(E)	36	#4	15'-3"	—
h1(E)	128	#4	19'-7"	—
h2(E)	36	#4	14'-1"	—
h3(E)	16	#4	20'-10"	—
h4(E)	4	#8	15'-3"	—
h5(E)	16	#8	22'-5"	—
h6(E)	4	#8	13'-4"	—
h7(E)	24	#5	15'-3"	—
h8(E)	96	#5	21'-8"	—
h9(E)	24	#5	14'-1"	—
h10(E)	12	#5	10'-3"	—
h11(E)	12	#5	10'-11"	—
h12(E)	24	#5	5'-11"	—
h16(E)	12	#5	3'-4"	—
h17(E)	12	#5	4'-2"	—
v(E)	440	#6	6'-3"	—
v1(E)	440	#6	6'-9"	—
Concrete Superstructure		Cu. Yd.	59.6	
Concrete Structures		Cu. Yd.	70.4	
Reinforcement Bars, Epoxy Coated		Pound	15,870	
Protective Coat		Sq. Yd.	212	

BOWMAN, BARRETT & ASSOCIATES INC.  
CONSULTING ENGINEERS  
Chicago, Illinois  
312.228.0100  
www.bbainc.com

USER NAME =	DESIGNED - JGC	REVISD -
PLOT SCALE =	CHECKED - BAK	REVISD -
PLOT DATE = 03/29/2013	DRAWN - JGC	REVISD -
	CHECKED - BAK	REVISD -

STATE OF ILLINOIS  
DEPARTMENT OF TRANSPORTATION

ABUTMENT & WINGWALL DETAILS II  
STRUCTURE NOS. 016-2441 & 016-2442

SHEET NO. S-16 OF S-31 SHEETS

F.A.I. RT.E.	SECTION	COUNTY	TOTAL SHEETS	SHEET NO.
94	2012-059-BR	COOK	631	572
CONTRACT NO. 60J12				
ILLINOIS FED. AID PROJECT				