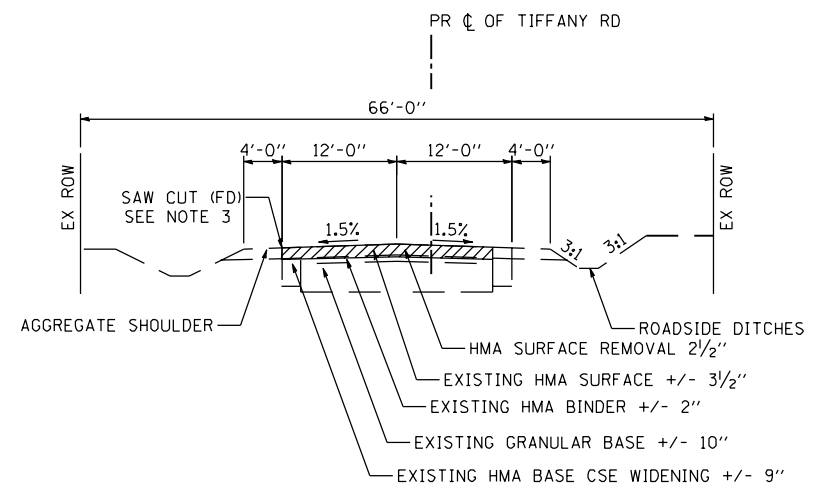
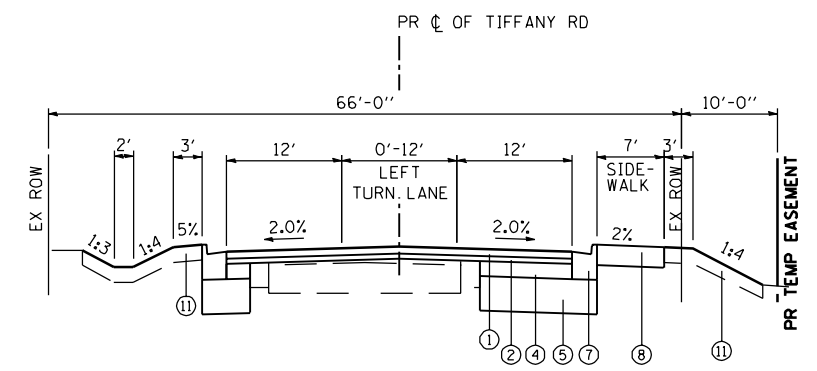


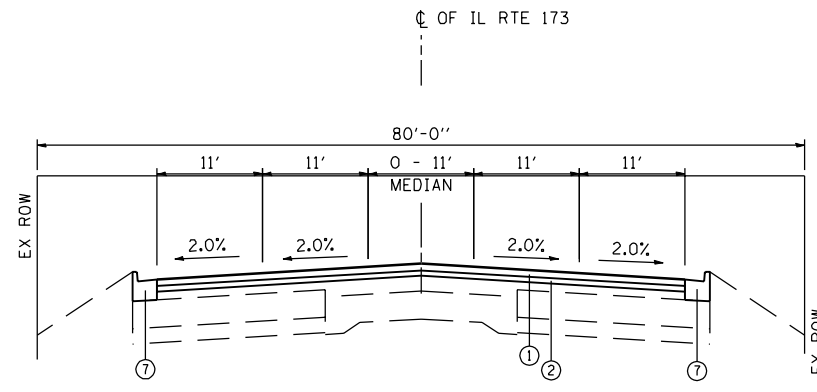
**EXISTING TYPICAL SECTION
ILL. ROUTE 173**
STA 1007+04 TO STA 1009+09



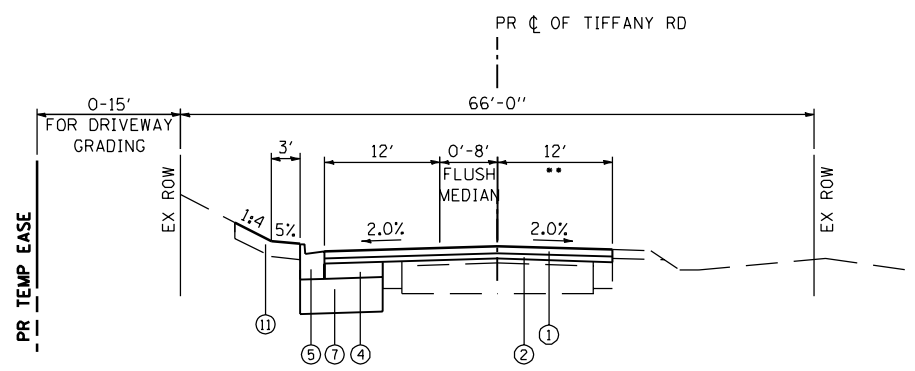
**EXISTING TYPICAL SECTION
TIFFANY ROAD**
STA 10+00 TO STA 16+34



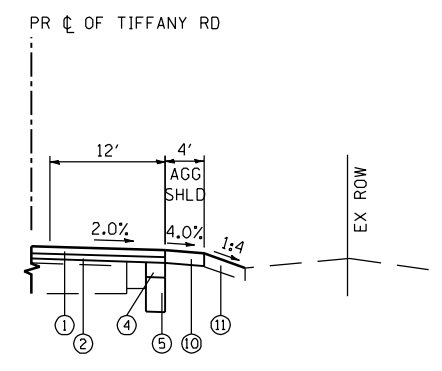
**PROPOSED TYPICAL SECTION
TIFFANY ROAD**
STA 10+00 TO STA 14+00



**PROPOSED TYPICAL SECTION
ILL. ROUTE 173**
STA 1007+04 TO STA 1009+09



**PROPOSED TYPICAL SECTION
TIFFANY ROAD**
STA 14+00 TO STA 16+34



•• STA 14+00 TO STA 15+16

LEGEND

- ① PROPOSED POLYMERIZED HOT-MIX ASPHALT SURFACE COURSE, MIX "F", N90, 1 3/4"
- ② PROPOSED POLYMERIZED LEVELING BINDER (MACHINE METHOD), IL-4.75, N50, 3/4"
- ③ PROPOSED HOT-MIX ASPHALT BASE COURSE, 9"
- ④ PROPOSED HOT-MIX ASPHALT BASE COURSE WIDENING, 7 1/2"
- ⑤ PROPOSED AGGREGATE SUBGRADE IMPROVEMENT 12"
- ⑥ PROPOSED COMBINATION CONCRETE CURB AND GUTTER, TYPE B-6.12
- ⑦ PROPOSED COMBINATION CONCRETE CURB AND GUTTER, TYPE B-6.24
- ⑧ PROPOSED PORTLAND CEMENT CONCRETE SIDEWALK 5 INCH (SEE NOTE 2)
- ⑨ PROPOSED STEEL PLATE BEAM GUARDRAIL, TYPE A, 6 FOOT POSTS
- ⑩ PROPOSED AGGREGATE SHOULDERS, TYPE B 6"
- ⑪ PROPOSED TOPSOIL FURNISH AND PLACE, 4"

▨ REMOVAL

NOTES

- 1. CONTRACTOR SHALL PATCH FIRST BEFORE MILLING.
- 2. PROPOSED PORTLAND CEMENT CONCRETE SIDEWALK 8" ON TIFFANY ROAD FROM STA 12+29.1 RT TO STA 13+66.9 RT.
- 3. SAW CUT FULL DEPTH ALONG EDGE OF WIDENING AREAS

FILE NAME : P:\2011\ME11007_VerVar-Ph1\CADD\W003_IL173.et.Tiff.Rd\Shs\DI60L28-sht-typical.dgn
 USER : JIN
 MILLENNIA PROFESSIONAL SERVICES



200 22ND Street, Suite 216, Lombard, IL 60148
 630.705.0110 voice, 630.839.3566 fax
 www.mps-il.com
MILLENNIA PROFESSIONAL SERVICES

DESIGNED -	CJD	REVISED -	
DRAWN -	CJD	REVISED -	
CHECKED -	TVN	REVISED -	
DATE -	2/4/2013	REVISED -	

**STATE OF ILLINOIS
DEPARTMENT OF TRANSPORTATION**

**IL ROUTE 173
AT TIFFANY ROAD**

**TYPICAL SECTIONS
IL RTE 173**

SCALE: NTS SHEET NO. 2 OF 2 SHEETS STA. TO STA.

F.A.P. RTE.	SECTION	COUNTY	TOTAL SHEETS	SHEET NO.
303	134-N-1	LAKE	62	10
FED. ROAD DIST. NO. 1 ILLINOIS FED. AID PROJECT			CONTRACT NO. 60L28	