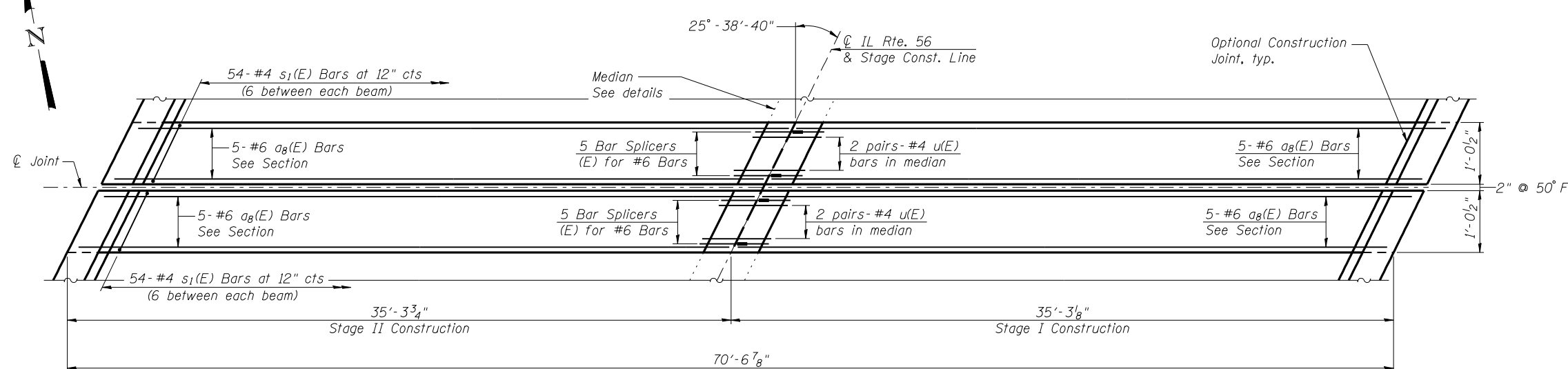
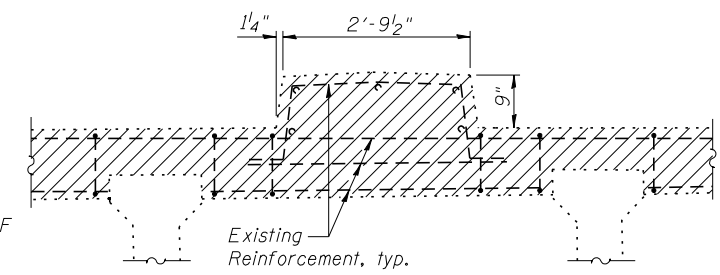


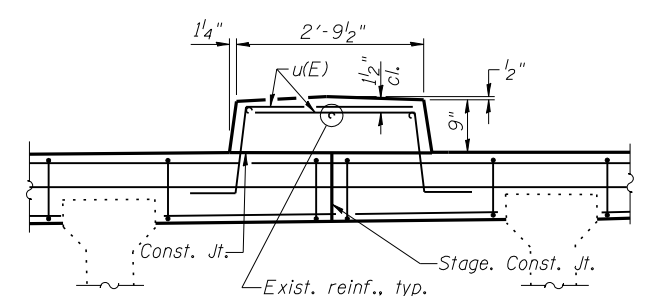
PIER 1



PIER 3



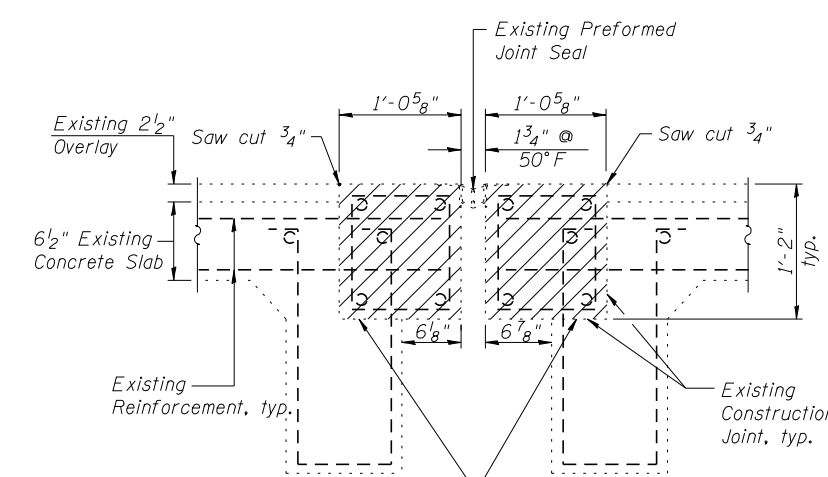
EXISTING SECTION OF MEDIAN AT ABUTMENT AND PIER JOINTS
(Dimensions at Rt. L's)
(Piers 1 & 3 shown, Pier 2 and abutments similar)



PROPOSED SECTION OF MEDIAN AT ABUTMENT AND PIER JOINTS
(Dimensions at Rt. L's)
(Piers 1 & 3 shown, Pier 2 and abutments similar)

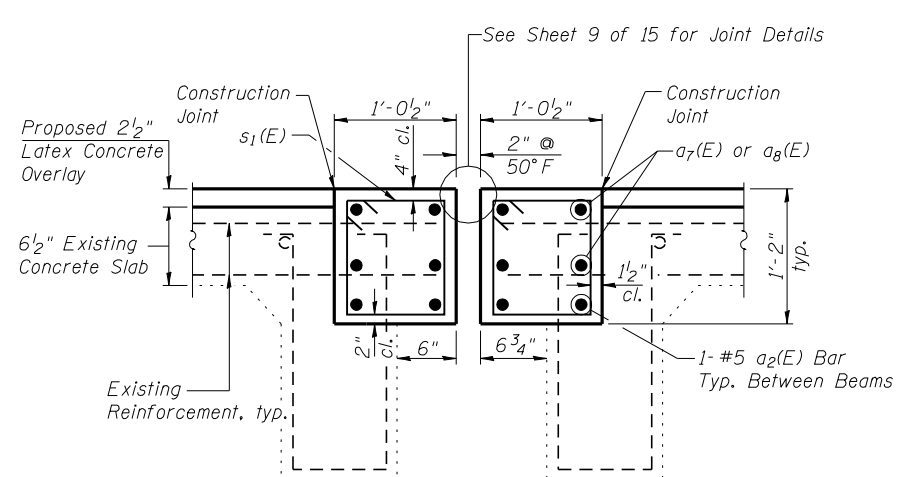
BILL OF MATERIAL
(Piers 1 & 3)

Bar	No.	Size	Length	Shape
a2(E)	36	#5	6'-1"	—
a7(E)	20	#6	35'-3"	—
a8(E)	20	#6	34'-10"	—
s1(E)	216	#4	3'-10"	□
u(E)	16	#4	4'-9"	—
Reinforcement Bars, Epoxy Coated			Pound	2940
Concrete Superstructure			Cu. Yd.	13.3

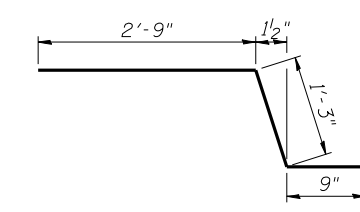


Contractor must exercise extreme care while performing concrete removal in this area as not to damage the PPC I-beams. Any damage is to be repaired at the Contractor's expense.

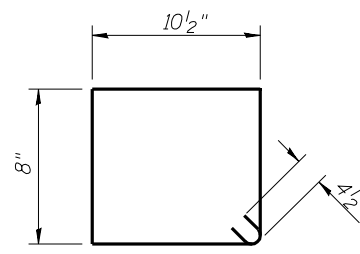
EXISTING SECTION AT PIERS 1 & 3
(Dimensions at Rt. L's)
(Removal limits include existing median)



PROPOSED SECTION AT PIERS 1 & 3
(Dimensions at Rt. L's)



BAR u(E)



BAR s1(E)

- Notes:
- Hatched area indicates concrete removal. Perimeter of concrete removal areas shall be saw cut 3/4" prior to removal of the concrete.
 - Existing reinforcement bars in the concrete removal area extending into new construction shall be cleaned and incorporated into the new construction. Cost included with Concrete Removal.
 - Any reinforcement bars that are damaged during concrete removal operations shall be repaired or replaced using an approved bar splicer or anchorage system, in accordance with IDOT Standard Specifications Article 501.03. Cost included in "Concrete Removal"
 - Overlay removal is included in pay item Bridge Deck Scarification, 2 1/2".
 - Removal of the existing joint system is included with Concrete Removal.

(Sheet 1 of 2)