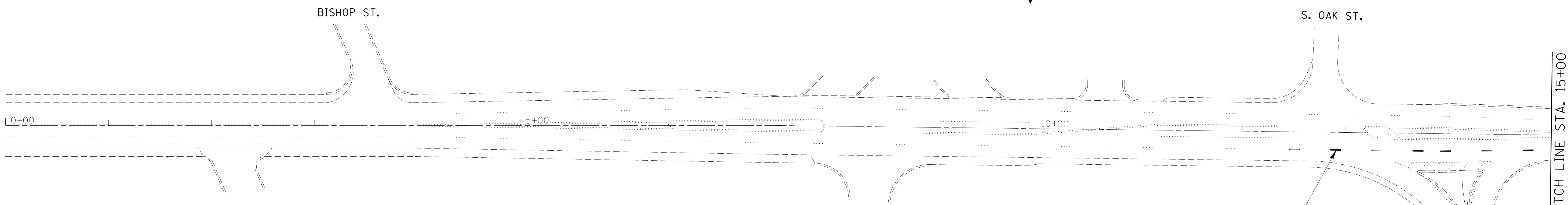


IL. ROUTE 38

BISHOP ST.

S. OAK ST.



NOTE:

ISLAND MEDIAN TO BE CONSTRUCTED USING TRAFFIC STANDARD 701606, COST INCLUDED IN "TRAFFIC CONTROL AND PROTECTION (SPECIAL)".

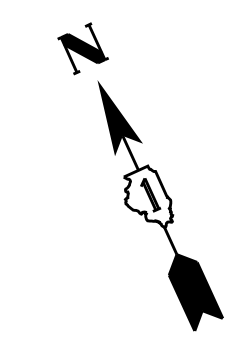
* EXISTING SIGNS TO BE PLACED BACK TO THEIR ORIGINAL LOCATIONS, EXCEPT "DO NOT ENTER" SIGN SHALL BE RELOCATED FROM BACK OF "STOP" SIGN TO BACK OF "IL 38" SIGN.

POLYUREA PVT MARKING
TYPE I, 4" SKIP-DASH LINE,
WHITE, 10' LONG, 30' SPACE

BROWNING WAY

PROP. P.C.C. MEDIAN SURFACE, 4"
(SEE DETAIL "A")

PROP. COMB. CONC. C & G, TYPE M-6.12



MATCH LINE STA. 15+00

IL. ROUTE 38

IL. RTE 59
S. NELTNOR BLVD.

POLYUREA PVT MARKING
TYPE I, 4" DOUBLE LINE,
YELLOW

SARANA BLVD.

WEST
ILLINOIS
38

* EXIST. SIGNS

TO
ILLINOIS
59

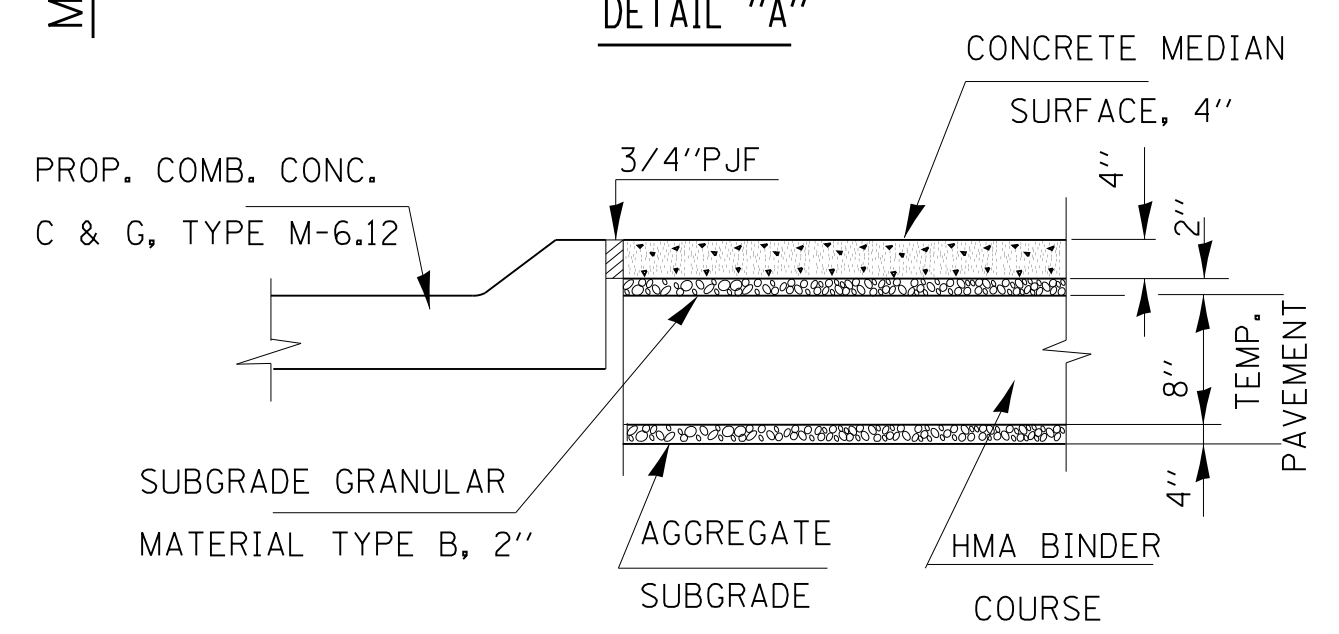
RIVER GLEN RD.

MATCH LINE STA. 30+00

20+00

25+00

DETAIL "A"

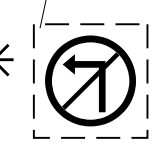
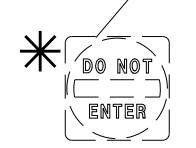


IL. RTE 59
S. NELTNOR BLVD.

POLYUREA PVT MARKING
TYPE I, 8" LINE, WHITE

POLYUREA PVT MARKING
TYPE I, 4" SKIP-DASH LINE,
WHITE, 10' LONG, 30' SPACE

POLYUREA PVT MARKING
TYPE I, 12" DIAGONALS,
WHITE



**STATE OF ILLINOIS
DEPARTMENT OF TRANSPORTATION**

**IL 38 (ROOSEVELT RD) AT WEST BRANCH DUPAGE RIVER
FINAL PAVEMENT MARKING PLAN (SN 022-0022)**

FILE NAME = c:\pwwork\pwwork\gorengautab\d0273151	USER NAME = gorengautab	DESIGNED - DRAWN -	REVISED - REVISED -
	162311-sht-plan.dgn	CHECKED -	REVISED -
	PLOT SCALE = 50.0000' / in.	DATE -	REVISED -
	PLOT DATE = 5/8/2013		

SCALE:	SHEET NO.	OF	SHEETS	STA.	TO	STA.
--------	-----------	----	--------	------	----	------

F.A.P. RTE. 347	SECTION 2011-067-I	COUNTY DUPAGE	TOTAL SHEETS 29	SHEET NO. 21
CONTRACT NO. 60P86				ILLINOIS FED. AID PROJECT