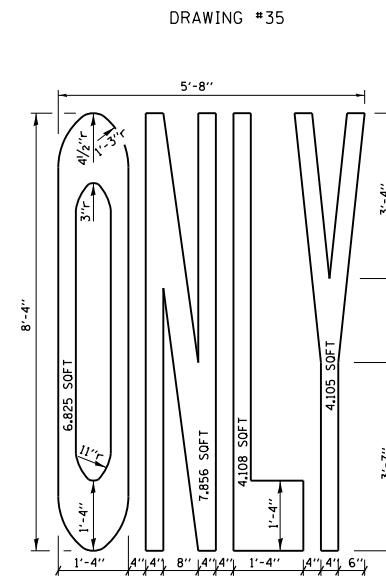
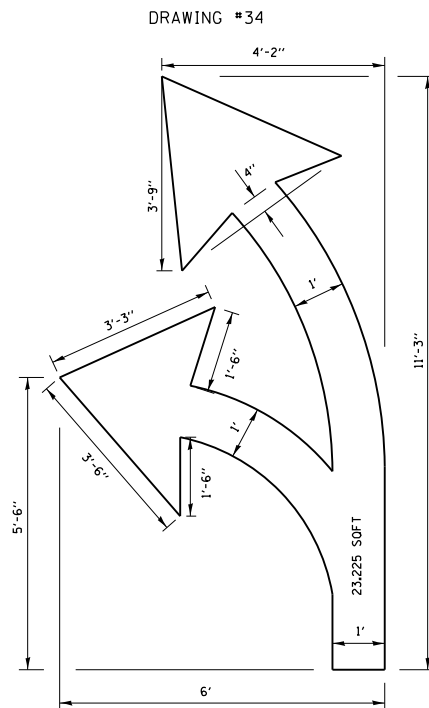
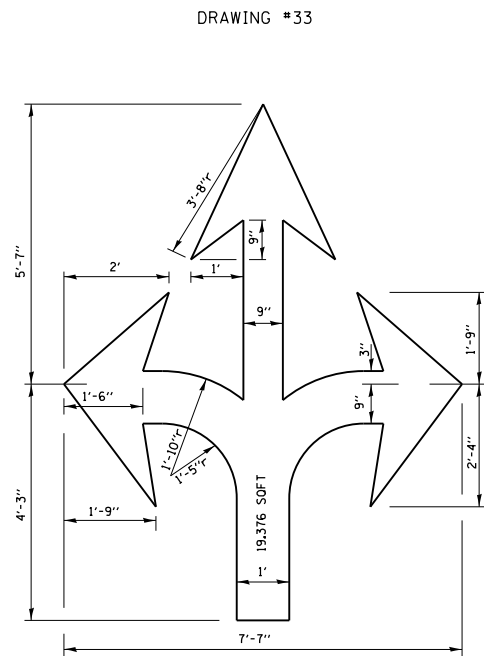
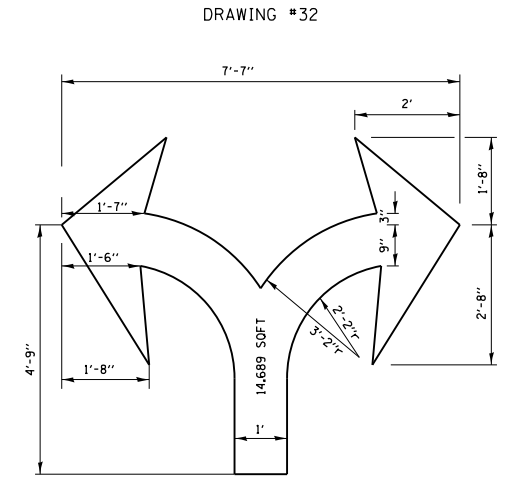
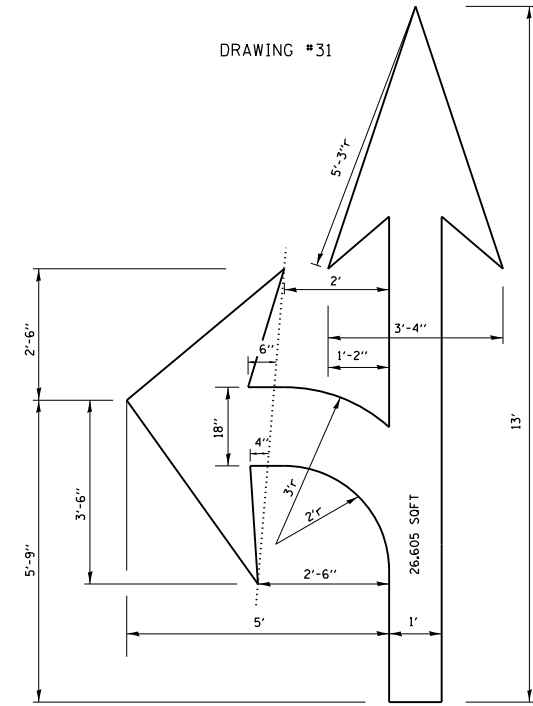
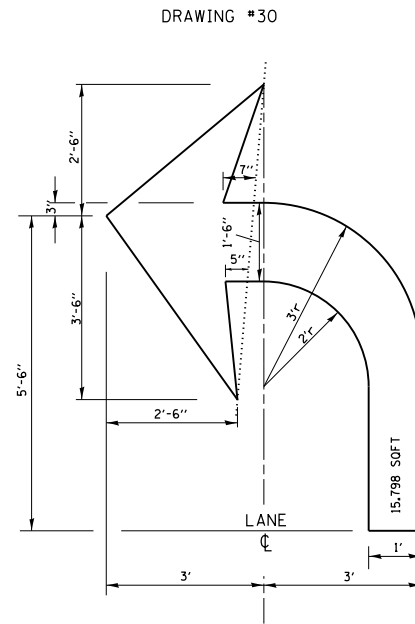
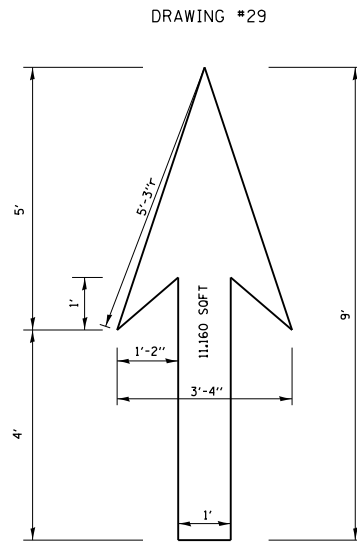


- NOTE:**
- FOR BIKE LANE SYMBOLS ONLY, USE PRE-FORMED THERMOPLASTIC WITH A MINIMUM THICKNESS OF 90 MILS, MINIMUM SKID RESISTANCE VALUE OF 60 BPN, & A MINIMUM INDEX OF REFRACTION OF 1.50.
 - THE RESIDENT ENGINEER SHALL CONTACT MR. BEN GOMBERG AT 312-744-8093 AT LEAST ONE CALENDAR WEEK PRIOR TO INSTALLING BIKE LANE SYMBOLS.

TYPICAL BIKE LANE SYMBOLS
DRAWING #28



NOTE: ALL MARKINGS SHALL BE SOLID WHITE UNLESS OTHERWISE NOTED IN THE PLANS

FILE NAME =	USER NAME = guillaumejp	DESIGNED -	REVISED - T. RAMMACHER 12-07-00
et:\pw\work\p\dot\guillaumejp\d0301460\D	36812-sht-plan.dgn	DRAWN -	REVISED - K. ENG 01-12-12
	PLOT SCALE = 100.0000' / in.	CHECKED -	REVISED -
	PLOT DATE = 4/9/2013	DATE -	REVISED -

STATE OF ILLINOIS
DEPARTMENT OF TRANSPORTATION

CITY OF CHICAGO			
TYPICAL PAVEMENT MARKINGS			
SCALE: NONE	SHEET NO. 2 OF 3 SHEETS	STA.	TO STA.

F.A.U. RTE.	SECTION	COUNTY	TOTAL SHEETS	SHEET NO.
1360	2012-009RS	COOK	33	32
TC-24			CONTRACT NO.	60T51
FED. ROAD DIST. NO. 1 ILLINOIS FED. AID PROJECT				