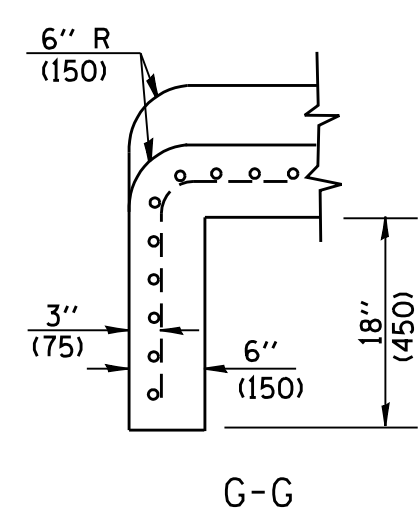
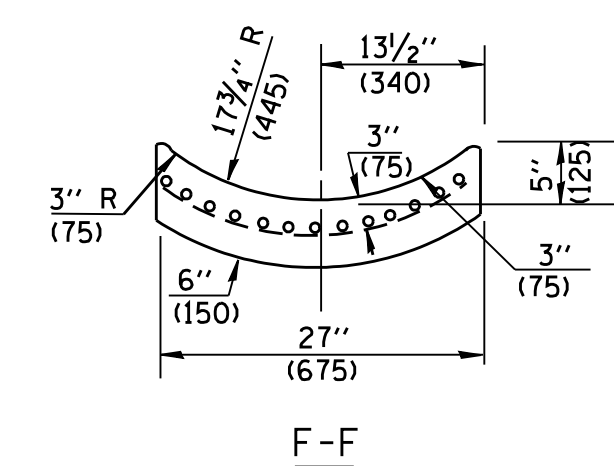
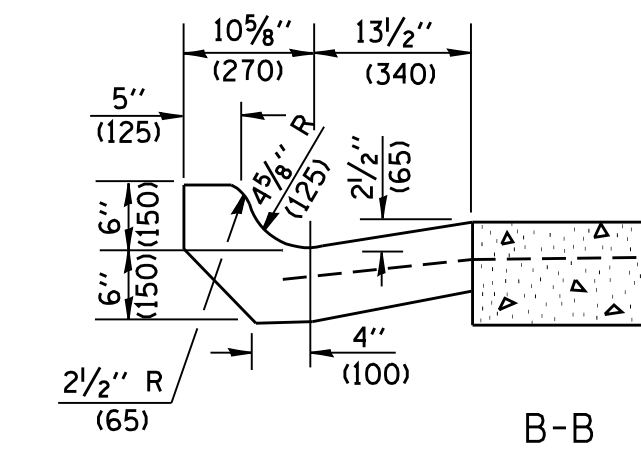
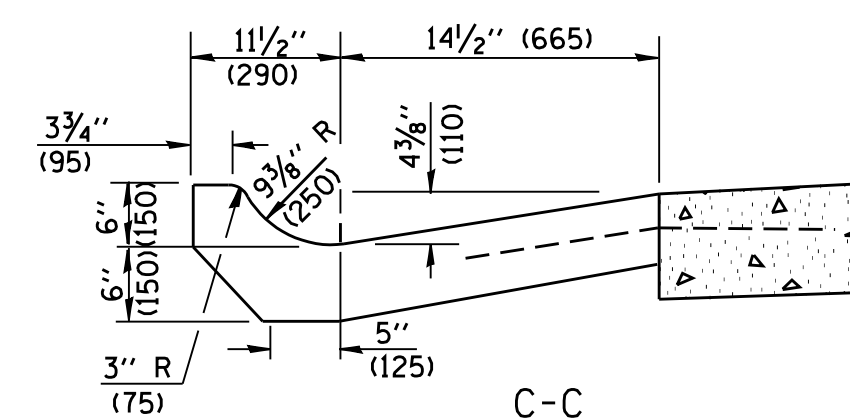
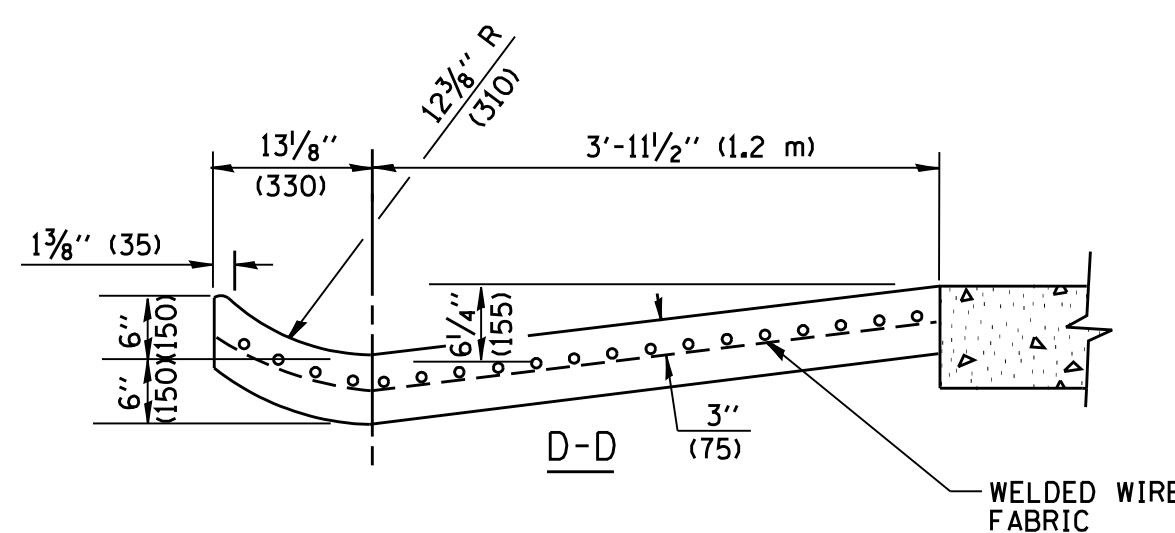
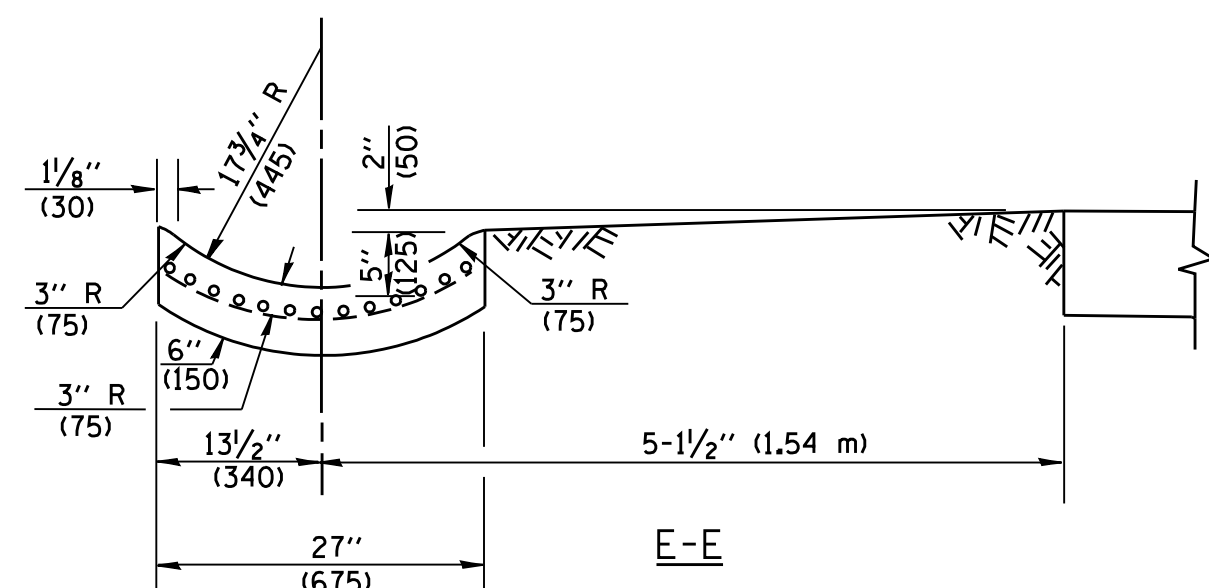


A-A *

* DIMENSIONS OF THE CURB & GUTTER AT SECTION A-A ARE SHOWN ON STATE STANDARD 606001. FOR DETAILS OF OUTLET FOR CONCRETE CURB & GUTTER, TYPE B-6.24 (B-15.60) SEE STATE STANDARD 606006.



GENERAL NOTES

GUTTER OUTLET SHALL BE TIED TO THE PAVEMENT IN ACCORDANCE WITH DETAILS FOR LONGITUDINAL CONSTRUCTION JOINT SHOWN ON STANDARD 420001.

TIE BARS SHALL BE NO. 20 (NO.6) AT 24\"/>

IF THE AVERAGE GRADE OF PAVEMENT FOR THE DISTANCE FROM SECTION A-A TO D-D EXCEEDS 2%, THIS DISTANCE SHALL BE INCREASED 6' (1.8 m) FOR EACH 1% INCREASE IN GRADE.

QUANTITIES

FOR SECTION A-A TO E-E AND CURTAIN WALL =
 1.25 CU. YDS. (0.96 m³) CLASS S1 CONCRETE (OUTLET) FOR 9\"/>

ALL DIMENSIONS ARE IN INCHES (MILLIMETERS) UNLESS OTHERWISE SHOWN.

FILE NAME = W:\diststd\22x34\bd03.dgn	USER NAME = gaglionobt	DESIGNED - M. DE YONG	REVISED - R. SHAH 09-09-94
		DRAWN -	REVISED - R. SHAH 10-25-94
	PLOT SCALE = 50.0000' / IN.	CHECKED -	REVISED - E. GOMEZ 12-21-00
	PLOT DATE = 1/4/2008	DATE - 08-04-86	REVISED -

**STATE OF ILLINOIS
DEPARTMENT OF TRANSPORTATION**

**OUTLET FOR CONCRETE
CURB AND GUTTER**

SCALE: NONE SHEET NO. 1 OF 1 SHEETS STA. TO STA.

F.A.P. RTE. 334	SECTION TR-TS	COUNTY LAKE	TOTAL SHEETS 58	SHEET NO. 37
BD600-01 (BD-03)		CONTRACT NO. 60T88		
FED. ROAD DIST. NO. 1 ILLINOIS FED. AID PROJECT				