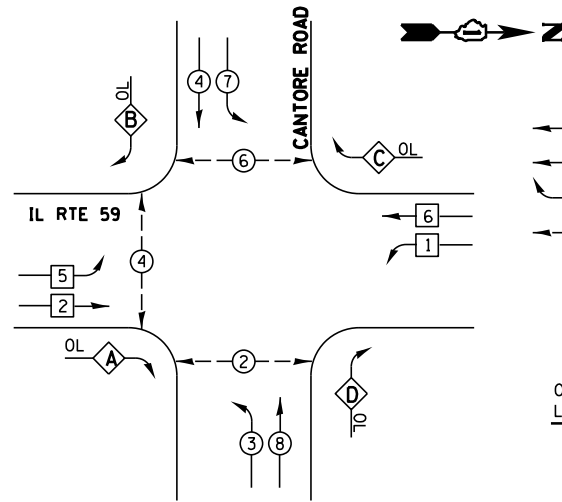


EXISTING CONTROLLER SEQUENCE

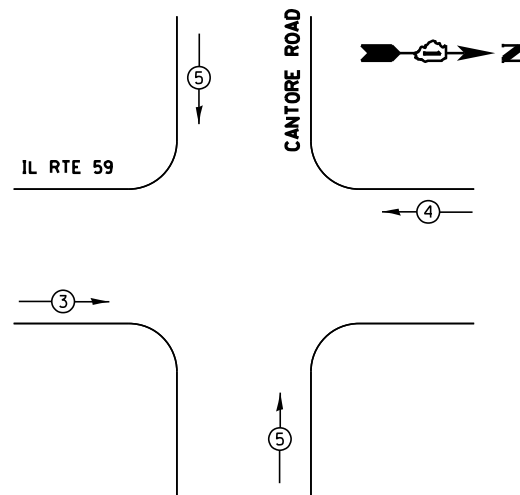


- LEGEND**
- ⊙ DUAL ENTRY PHASE
 - ⊛ SINGLE ENTRY PHASE
 - ⊙ OL OVERLAP
 - ⊙ PEDESTRIAN PHASE
 - * NUMBER REFERS TO ASSOCIATED PHASE

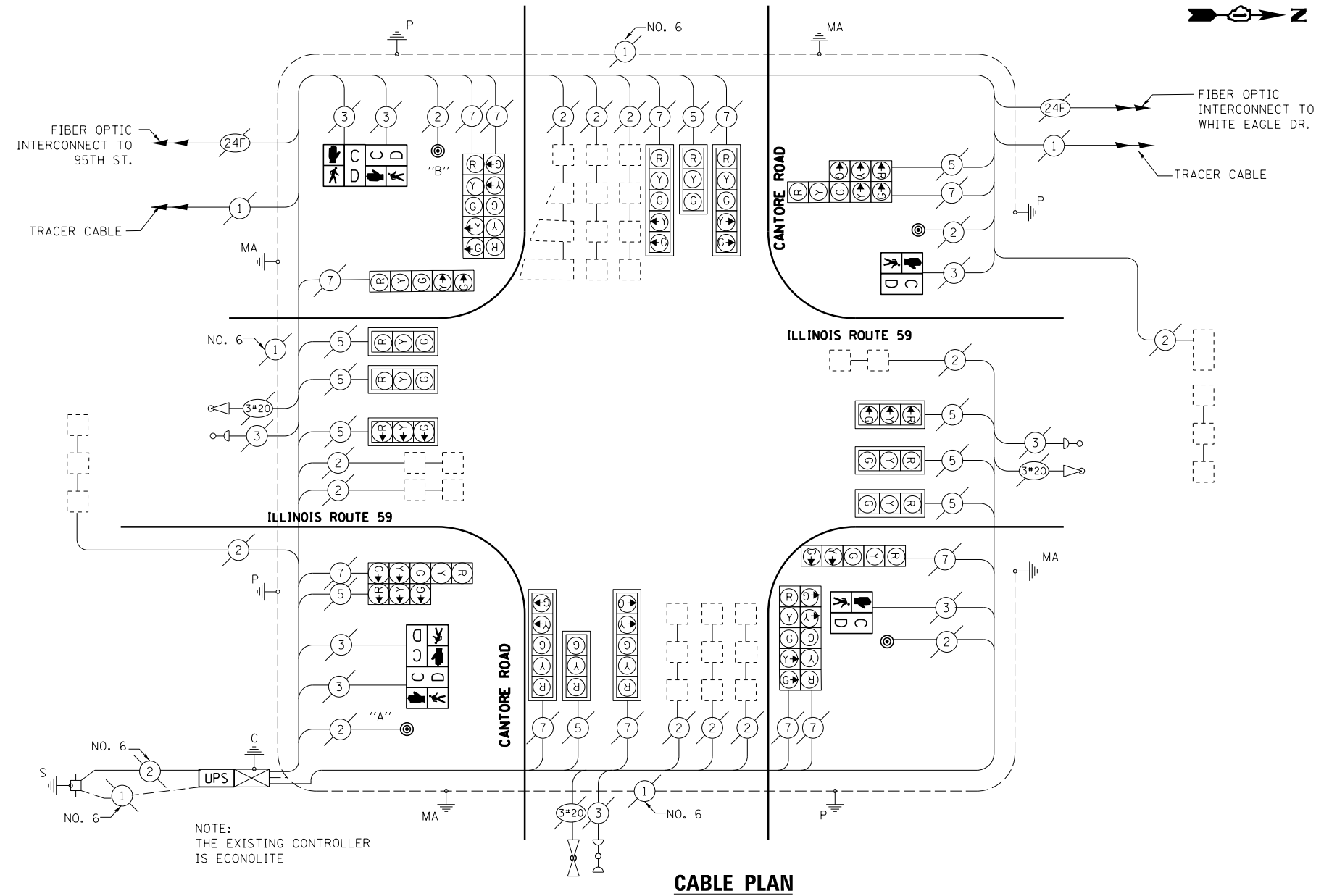
OVERLAP LETTER	PERMISSIVE PHASE	PROTECTED PHASE
A	= 2	+ 3
B	= 4	+ 5
C	= 6	+ 7
D	= 8	+ 1

PHASE DESIGNATION DIAGRAM

EXISTING EMERGENCY VEHICLE PREEMPTION SEQUENCE



EXISTING EMERGENCY VEHICLE PREEMPTORS			
EMERGENCY VEHICLE PREEMPTOR	3	4	5
MOVEMENT	→	↘	↑



CABLE PLAN

NOTE: THE EXISTING CONTROLLER IS ECONOLITE

NOTES:
 PUSH BUTTON "A" SHALL PLACE A CALL IN PHASES 2 AND 4
 PUSH BUTTON "B" SHALL PLACE A CALL IN PHASES 4 AND 6

REMOVAL OF EXISTING TRAFFIC SIGNAL EQUIPMENT

THE FOLLOWING ITEMS SHALL BE REMOVED BY THE CONTRACTOR AND SHALL BE DISPOSED OF BY THEM OUTSIDE THE RIGHT-OF-WAY AT THEIR EXPENSE. THE SALVAGE VALUE OF THE REMOVED EQUIPMENT SHALL BE REFLECTED IN THE CONTRACT BID PRICE.

2	EACH	PEDESTRIAN SIGNAL HEAD, LED, 1-FACE
4	EACH	PEDESTRIAN SIGNAL HEAD, LED, 2-FACE
4	EACH	PEDESTRIAN PUSH-BUTTON

SCHEDULE OF QUANTITIES

QTY	UNIT	ITEM
1	EACH	MAINTENANCE OF EXISTING TRAFFIC SIGNAL INSTALLATION
2	EACH	PEDESTRIAN SIGNAL HEAD, LED, 1-FACE, BRACKET MOUNTED WITH COUNTDOWN TIMER
2	EACH	PEDESTRIAN SIGNAL HEAD, LED, 2-FACE, BRACKET MOUNTED WITH COUNTDOWN TIMER
1	EACH	MODIFY EXISTING CONTROLLER CABINET
1	EACH	UNINTERRUPTABLE POWER SUPPLY, SPECIAL
4	EACH	PEDESTRIAN PUSH-BUTTON, NON-LATCHING
1	EACH	REMOVE EXISTING TRAFFIC SIGNAL EQUIPMENT

I.D.O.T. TRAFFIC SIGNAL INSTALLATION ELECTRICAL SERVICE REQUIREMENTS				TOTAL WATTAGE
TYPE	NO. OF LAMPS	WATTAGE (INCAND. LED)	% OPERATION	
SIGNAL (RED)	22	17	0.50	187.0
(YELLOW)	22	25	0.25	137.5
(GREEN)	22	15	0.25	82.5
ARROW	24	12	0.10	28.8
PED. SIGNAL	6	25	1.00	150.0
CONTROLLER	1	100	1.00	100.0
ILLUM. SIGN				
FLASHER			0.50	
ENERGY COSTS TO:				TOTAL = 685.8

ILLINOIS DEPARTMENT OF TRANSPORTATION
 DIVISION OF HIGHWAY/DISTRICT 1
 201 WEST CENTER COURT/SCHAUMBURG, ILLINOIS 60196-1096
 ENERGY SUPPLY: CONTACT: JOE STACHO
 PHONE: 630-424-5704
 COMPANY: COM ED

NAPERVILLE TS#21893