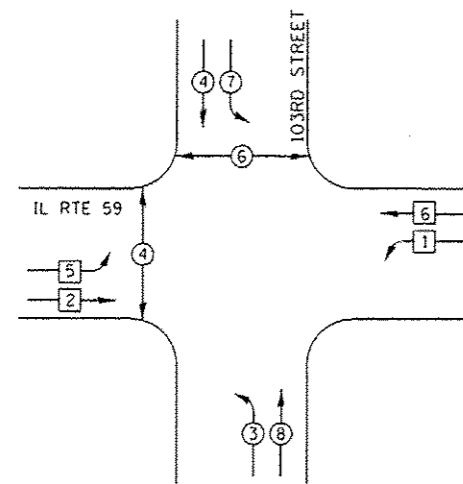


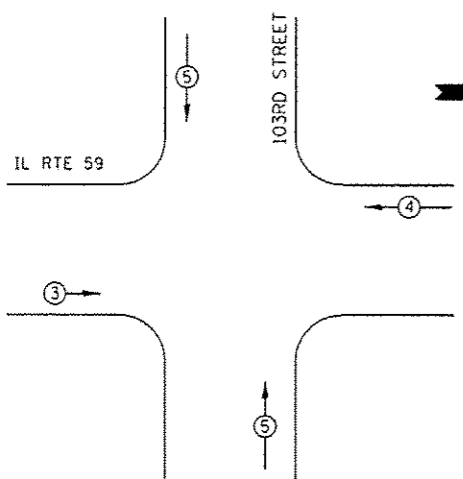
**EXISTING CONTROLLER SEQUENCE**



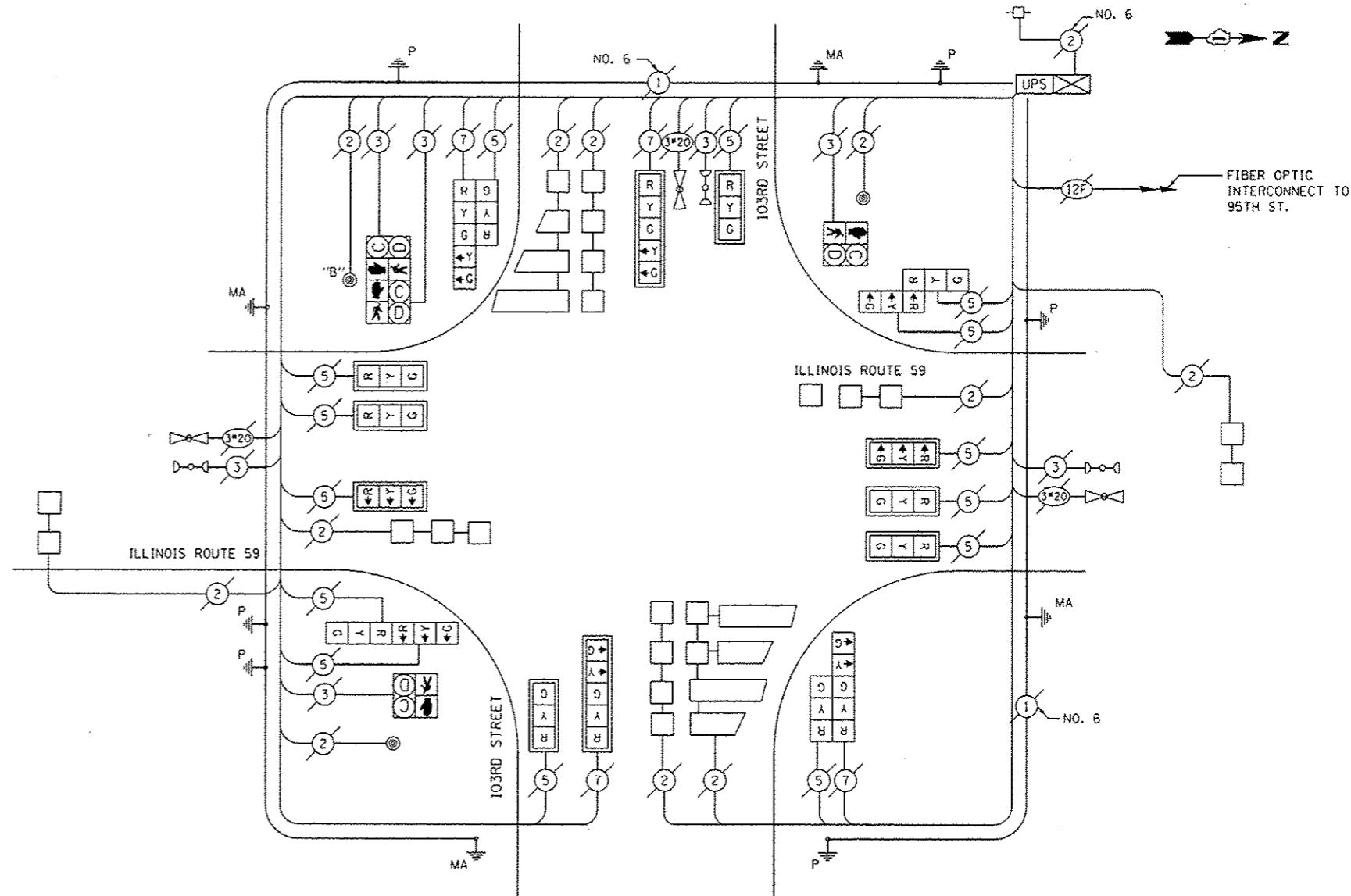
**LEGEND**

- DUAL ENTRY PHASE
- SINGLE ENTRY PHASE
- OVERLAP
- PEDESTRIAN PHASE
- NUMBER REFERS TO ASSOCIATED PHASE

**PHASE DESIGNATION DIAGRAM**



EXISTING EMERGENCY VEHICLE PREEMPTORS			
EMERGENCY VEHICLE PREEMPTOR	3	4	5
MOVEMENT	→	←	↕



**CABLE PLAN**

RETROFIT ALL EXISTING TRAFFIC SIGNAL HEADS TO L.E.D.

NOTES:  
PUSH BUTTON "B" SHALL PLACE A CALL IN PHASES 4 AND 6

**REMOVAL OF EXISTING TRAFFIC SIGNAL EQUIPMENT**

THE FOLLOWING ITEMS SHALL BE REMOVED BY THE CONTRACTOR AND SHALL BE DISPOSED OF BY THEM OUTSIDE THE RIGHT-OF-WAY AT THEIR EXPENSE. THE SALVAGE VALUE OF THE REMOVED EQUIPMENT SHALL BE REFLECTED IN THE CONTRACT BID PRICE.

- 2 EACH SIGNAL HEAD, LED, 2-FACE, 1-3 SECTION, 1-5 SECTION
- 8 EACH SIGNAL HEAD, LED, 1-FACE, 3-SECTION
- 2 EACH SIGNAL HEAD, LED, 1-FACE, 5-SECTION
- 2 EACH SIGNAL HEAD, LED, 2-FACE, 3-SECTION

I.D.O.T. TRAFFIC SIGNAL INSTALLATION ELECTRICAL SERVICE REQUIREMENTS				TOTAL WATTAGE
TYPE	NO. OF LAMPS	WATTAGE INCAND. LED	% OPERATION	
SIGNAL (RED)	18	17	0.50	153.0
(YELLOW)	18	25	0.25	112.5
(GREEN)	18	15	0.25	67.5
ARROW	8	12	0.10	9.6
PED. SIGNAL	4	25	1.00	100.0
CONTROLLER	1	100	1.00	100.0
ILLUM. SIGN				
FLASHER			0.50	
ENERGY COSTS TO:				TOTAL = 542.6

ILLINOIS DEPARTMENT OF TRANSPORTATION  
DIVISION OF HIGHWAY/DISTRICT 1  
201 WEST CENTER COURT/SCHAUMBURG, ILLINOIS 60196-1096  
ENERGY SUPPLY: CONTACT: GARY ENBERG  
PHONE: 630-965-2916  
COMPANY: COMMONWEALTH EDISON

**SCHEDULE OF QUANTITIES**

QTY	UNIT	ITEM
1	EACH	MAINTENANCE OF EXISTING TRAFFIC SIGNAL INSTALLATION
1	EACH	MODIFY EXISTING CONTROLLER CABINET
1	EACH	REMOVE EXISTING TRAFFIC SIGNAL EQUIPMENT
2	EACH	SIGNAL HEAD, LED, 2-FACE, 1-3 SECTION, 1-5 SECTION, BRACKET MOUNTED, RETROFIT
8	EACH	SIGNAL HEAD, LED, 1-FACE, 3-SECTION, MAST-ARM MOUNTED, RETROFIT
2	EACH	SIGNAL HEAD, LED, 1-FACE, 5-SECTION, MAST-ARM MOUNTED, RETROFIT
2	EACH	SIGNAL HEAD, LED, 1-FACE, 3-SECTION, BRACKET MOUNTED, RETROFIT
1	EACH	UNINTERRUPTIBLE POWER SUPPLY, SPECIAL

FILE NAME	USER NAME	DESIGNED - IRV	REVISED - IRV 5-15-13
		DRAWN - IRV	REVISED -
		CHECKED - SM	REVISED -
		DATE -	REVISED -

STATE OF ILLINOIS  
DEPARTMENT OF TRANSPORTATION

IL ROUTE 59 AT 103RD STREET  
SCHEDULE OF QUANTITIES, CABLE PLAN, PHASE DESIGNATION DIAGRAM  
AND EMERGENCY VEHICLE PREEMPTION SEQUENCE

F.A. RTE.	SECTION	COUNTY	TOTAL SHEETS	SHEET NO.
VAR	2013-004-1	WILL	58	37
CONTRACT NO. 60W22			ILLINOIS FED. AID PROJECT	

NAPERVILLE TS # 21465