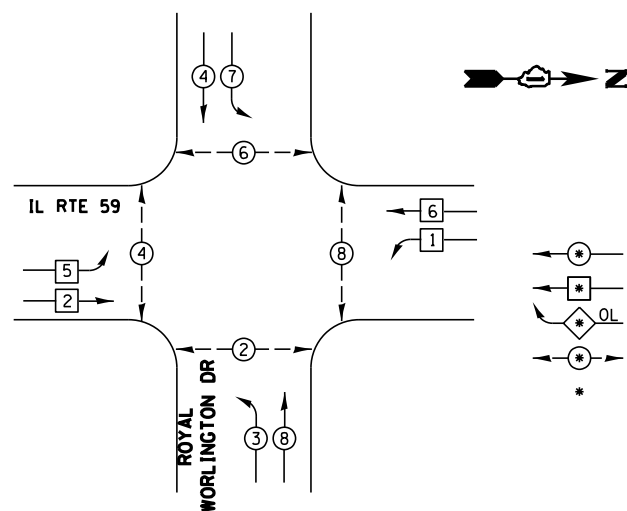


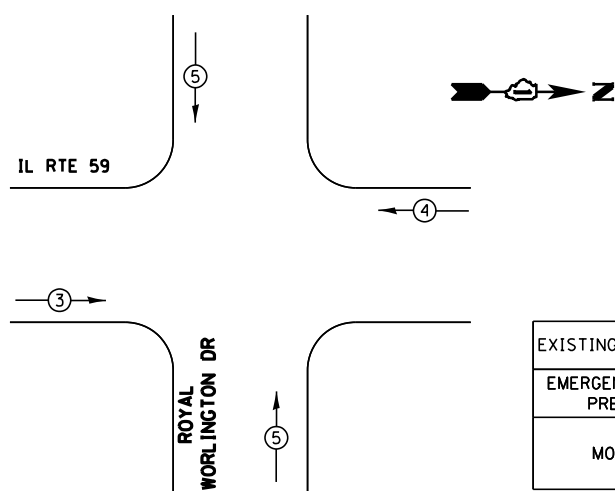
EXISTING CONTROLLER SEQUENCE



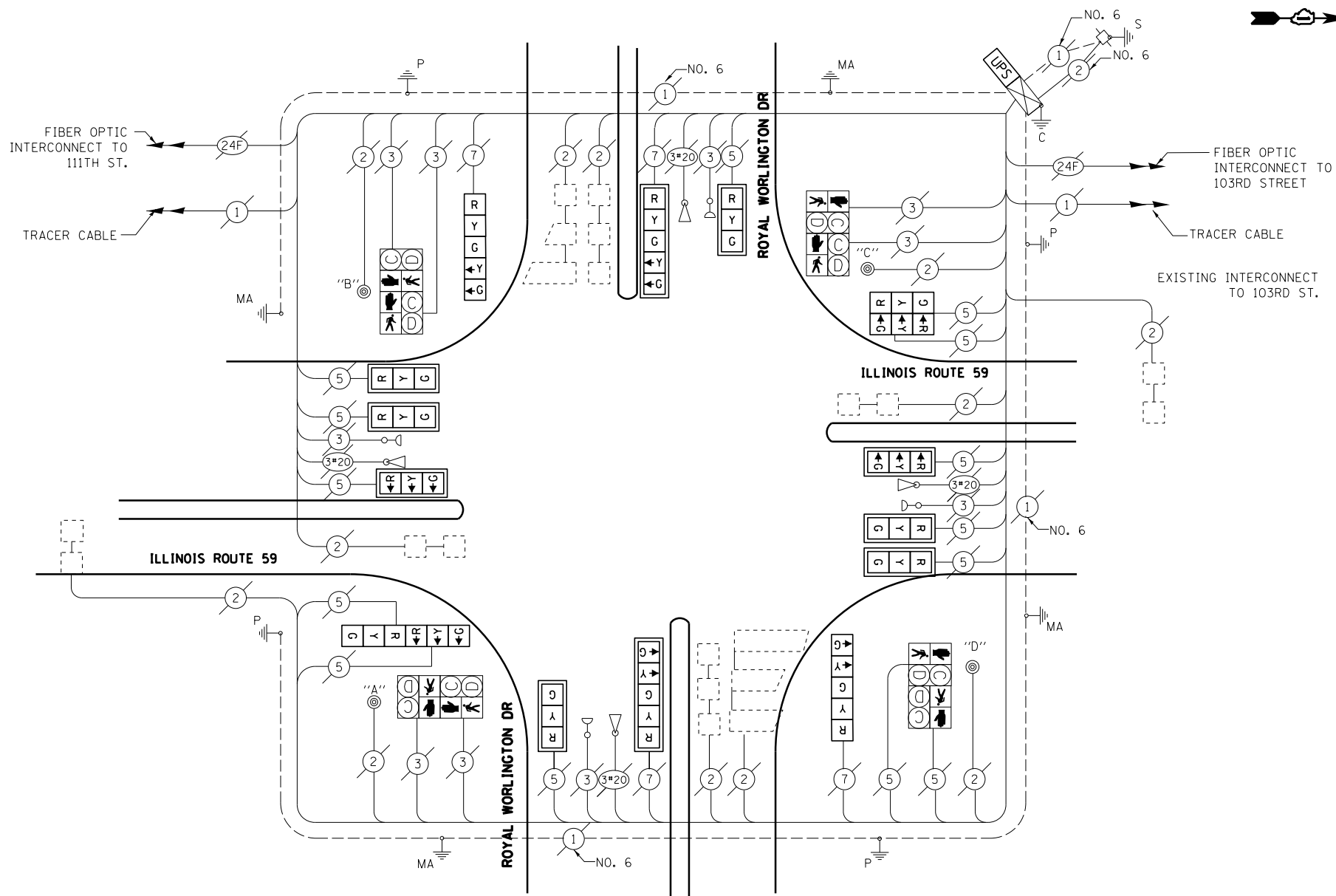
- LEGEND**
- ⊕ DUAL ENTRY PHASE
 - ⊙ SINGLE ENTRY PHASE
 - ⊖ OVERLAP
 - ⊗ PEDESTRAIN PHASE
 - * NUMBER REFERS TO ASSOCIATED PHASE

PHASE DESIGNATION DIAGRAM

EXISTING EMERGENCY VEHICLE PREEMPTION SEQUENCE



EXISTING EMERGENCY VEHICLE PREEMPTORS			
EMERGENCY VEHICLE PREEMPTOR	3	4	5
MOVEMENT	→	←	↕



CABLE PLAN

RETROFIT ALL EXISTING TRAFFIC SIGNAL HEADS TO L.E.D.

- NOTES:
- PUSH BUTTON "A" SHALL PLACE A CALL IN PHASES 2 AND 4
 - PUSH BUTTON "B" SHALL PLACE A CALL IN PHASES 4 AND 6
 - PUSH BUTTON "C" SHALL PLACE A CALL IN PHASES 6 AND 8
 - PUSH BUTTON "D" SHALL PLACE A CALL IN PHASES 8 AND 2

REMOVAL OF EXISTING TRAFFIC SIGNAL EQUIPMENT

THE FOLLOWING ITEMS SHALL BE REMOVED BY THE CONTRACTOR AND SHALL BE DISPOSED OF BY THEM OUTSIDE THE RIGHT-OF-WAY AT THEIR EXPENSE. THE SALVAGE VALUE OF THE REMOVED EQUIPMENT SHALL BE REFLECTED IN THE CONTRACT BID PRICE.

- 8 EACH SIGNAL HEAD, LED, 1-FACE, 3-SECTION
- 4 EACH SIGNAL HEAD, LED, 1-FACE, 5-SECTION
- 2 EACH SIGNAL HEAD, LED, 2-FACE, 3-SECTION
- 4 EACH PEDESTRIAN PUSH-BUTTON

SCHEDULE OF QUANTITIES

QTY	UNIT	ITEM
1	EACH	MAINTENANCE OF EXISTING TRAFFIC SIGNAL INSTALLATION
1	EACH	MODIFY EXISTING CONTROLLER CABINET
1	EACH	REMOVE EXISTING TRAFFIC SIGNAL EQUIPMENT
8	EACH	SIGNAL HEAD, LED, 1-FACE, 3-SECTION, MAST-ARM MOUNTED, RETROFIT
2	EACH	SIGNAL HEAD, LED, 1-FACE, 5-SECTION, MAST-ARM MOUNTED, RETROFIT
2	EACH	SIGNAL HEAD, LED, 2-FACE, 3-SECTION, BRACKET MOUNTED, RETROFIT
2	EACH	SIGNAL HEAD, LED, 1-FACE, 5-SECTION, BRACKET MOUNTED, RETROFIT
1	EACH	UNINTERRUPTABLE POWER SUPPLY, SPECIAL
4	EACH	PEDESTRIAN PUSH-BUTTON, NON-LATCHING

I.D.O.T. TRAFFIC SIGNAL INSTALLATION ELECTRICAL SERVICE REQUIREMENTS				TOTAL WATTAGE
TYPE	NO. OF LAMPS	WATTAGE INCAND. LED	% OPERATION	
SIGNAL (RED)	16	17	0.50	136.0
(YELLOW)	16	25	0.25	100.0
(GREEN)	16	15	0.25	60.0
ARROW	8	12	0.10	9.6
PED. SIGNAL	8	25	1.00	200.0
CONTROLLER	1	100	1.00	100.0
ILLUM. SIGN				
FLASHER			0.50	
ENERGY COSTS TO:				TOTAL = 605.6

ILLINOIS DEPARTMENT OF TRANSPORTATION
 DIVISION OF HIGHWAY/DISTRICT 1
 201 WEST CENTER COURT/SCHAUMBURG, ILLINOIS 60196-1096
 ENERGY SUPPLY: CONTACT: _____
 PHONE: _____
 COMPANY: _____