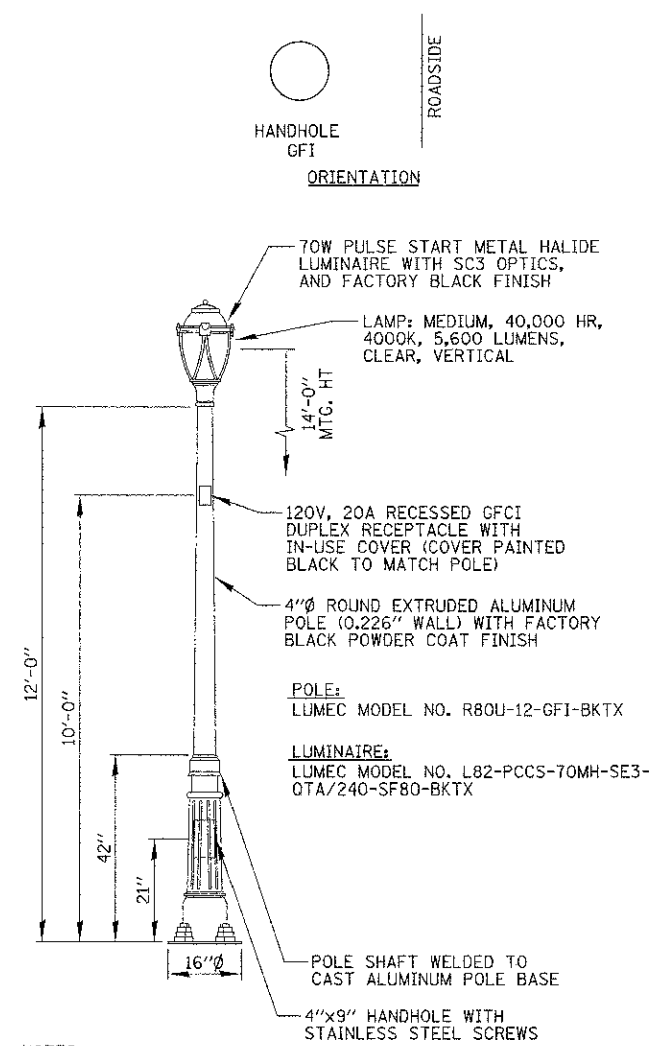


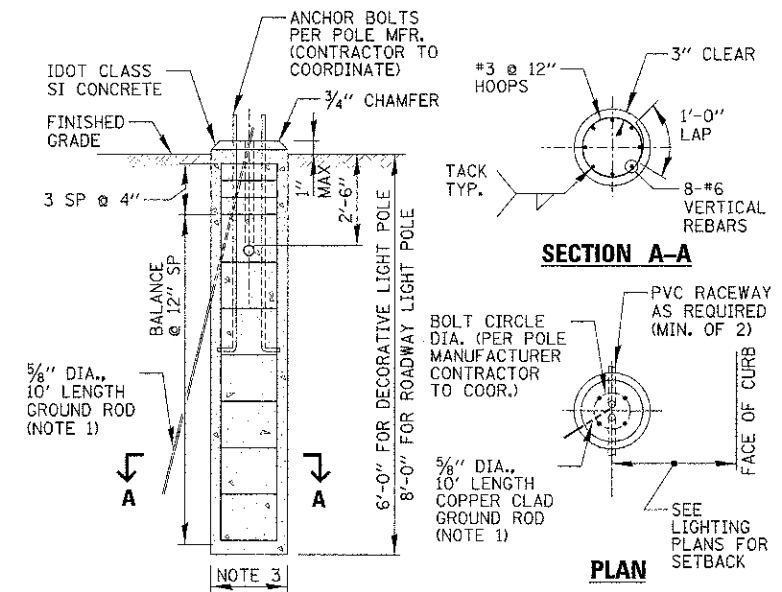
NOTES:
 1. ALL LIGHT POLES SHALL BE CLASSIFIED OR LISTED BY U.L., E.T.L., OR APPROVED EQUAL O.S.H.A. EQUIVALENT TESTING LABORATORY.

ROADWAY LIGHTPOLE DETAIL
 N.T.S.



NOTES:
 1. ALL LIGHT POLES SHALL BE CLASSIFIED OR LISTED BY U.L., E.T.L., OR APPROVED EQUAL O.S.H.A. EQUIVALENT TESTING LABORATORY.

DECORATIVE LIGHTPOLE DETAIL
 N.T.S.

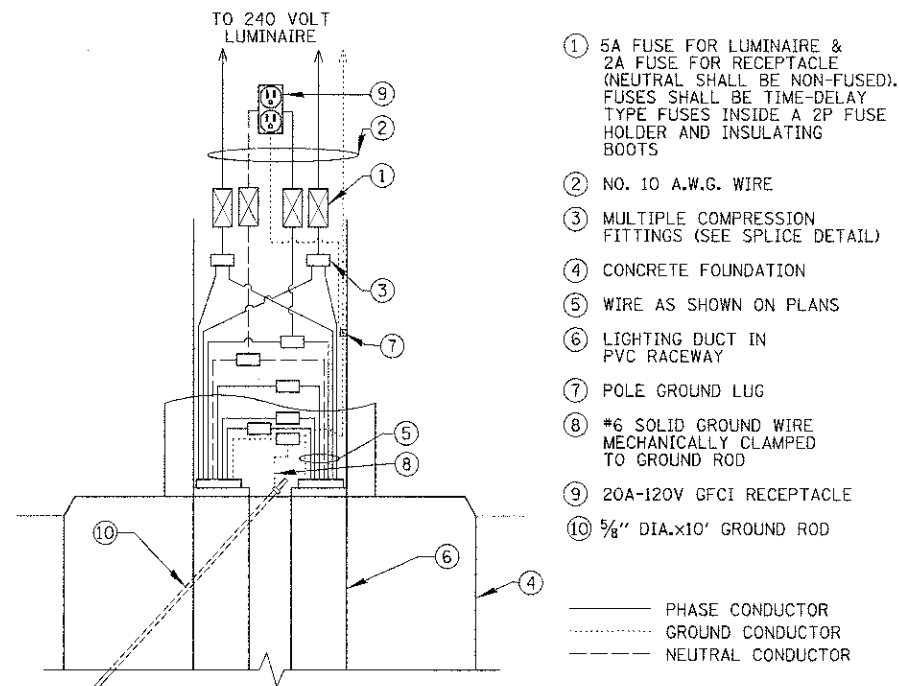


- NOTES:
- GROUND ROD SHALL BE CAST INTO CONCRETE FOUNDATION WITH 8 FEET IN CONTACT WITH SOIL.
 - FOUNDATIONS SHALL BE VIBRATED IN ACCORDANCE WITH IDOT STANDARD PRACTICES.
 - DIAMETER OF CONCRETE FOUNDATIONS SHALL BE 18" DIA. FOR DECORATIVE LIGHT POLES, AND 24" DIA. FOR ROADWAY LIGHT POLES.
 - ALL ABOVE ITEMS INCLUDING CONCRETE, GROUND ROD, REINFORCEMENT, RACEWAYS AND FORMWORK SHALL BE INCLUDED IN THE "LIGHT POLE FOUNDATION" PAY ITEM.
 - 24" FOUNDATIONS PAID FOR UNDER "LIGHT POLE FOUNDATION, 24" DIAMETER". 18" FOUNDATION PAID FOR UNDER "LIGHT POLE FOUNDATION, SPECIAL".

CONCRETE FOUNDATION DETAIL
 N.T.S.

LUMINAIRE AND POLE SCHEDULE

LIGHT POLE IDENTIFIER	POLE TYPE	SYMBOL	LUMINAIRES				FESTOON RECEPTACLES		LIGHT POLE FOUNDATION
			ROADWAY		PEDESTRIAN		WATTAGE	CKT ID	
			WATTAGE	CKT ID	WATTAGE	CKT ID			
P1	DECORATIVE	☼	-	-	70W	2,4	180W	15	CONCRETE
P2	ROADWAY	●	175W	1,3	-	-	180W	13	CONCRETE
P3	DECORATIVE	☼	-	-	70W	2,4	180W	15	CONCRETE
P4	ROADWAY	●	175W	1,3	-	-	180W	13	CONCRETE
P5	DECORATIVE	☼	-	-	70W	2,4	180W	15	CONCRETE
P6	DECORATIVE	☼	-	-	70W	1,3	180W	13	CONCRETE
P7	ROADWAY	●	175W	2,4	-	-	180W	15	CONCRETE
P8	DECORATIVE	☼	-	-	70W	1,3	180W	13	CONCRETE
P9	ROADWAY	●	175W	2,4	-	-	180W	15	CONCRETE
P10	DECORATIVE	☼	-	-	70W	1,3	180W	13	CONCRETE
P11	ROADWAY	●	175W	5,7	-	-	180W	14	CONCRETE
P12	DECORATIVE	☼	-	-	70W	6,8	180W	16	CONCRETE
P13	ROADWAY	●	175W	5,7	-	-	180W	14	CONCRETE
P14	DECORATIVE	☼	-	-	70W	6,8	180W	16	CONCRETE
P15	ROADWAY	●	175W	5,7	-	-	180W	14	CONCRETE
P16	DECORATIVE	☼	-	-	70W	6,8	180W	16	CONCRETE
P17	ROADWAY	●	175W	5,7	-	-	180W	14	CONCRETE
P18	DECORATIVE	☼	-	-	70W	6,8	180W	16	CONCRETE
P19	ROADWAY	●	175W	5,7	-	-	180W	14	CONCRETE



LIGHT POLE HANDHOLE WIRING DIAGRAM
 N.T.S.

FILE NAME = 10-00149-00-LS	USER NAME = adur1000	DESIGNED AJD	REVISED -
		DRAWN KB, KWD	REVISED -
		CHECKED AJD	REVISED -
		DATE 8/14/2012	REVISED -

STATE OF ILLINOIS
 DEPARTMENT OF TRANSPORTATION

LIGHTING DETAILS (3 OF 4)
 SCALE: N.T.S. SHEET OF SHEETS, STA. TO STA.

CHRISTOPHER B. BURKE ENGINEERING, LTD.
 9575 W. Higgins Road, Suite 600
 Rosemont, Illinois 60018
 (847) 823-0500

F.A. RTE.	SECTION	COUNTY	TOTAL SHEETS	SHEET NO.
	10-00149-00-LS	COOK	69	45
CONTRACT NO. 63723				
ILLINOIS FED. AID PROJECT				