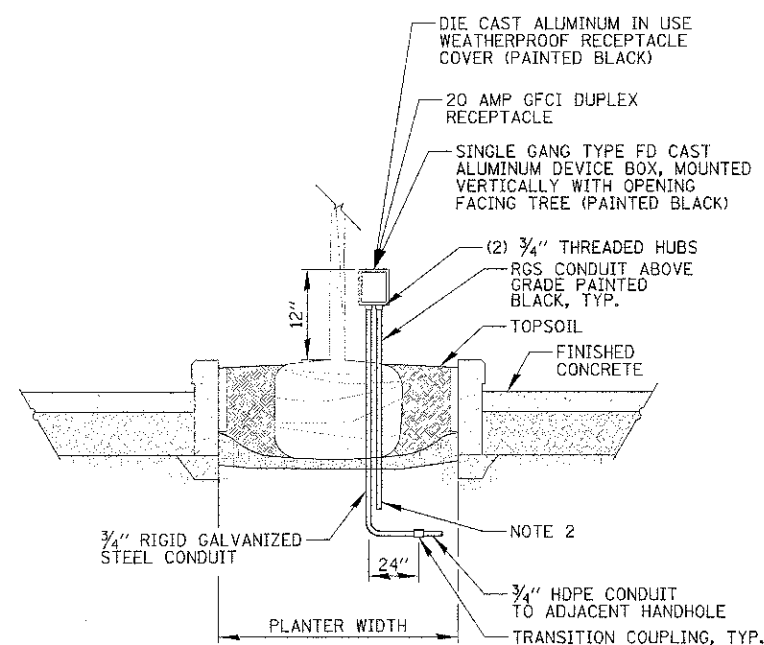


**PLAN VIEW**

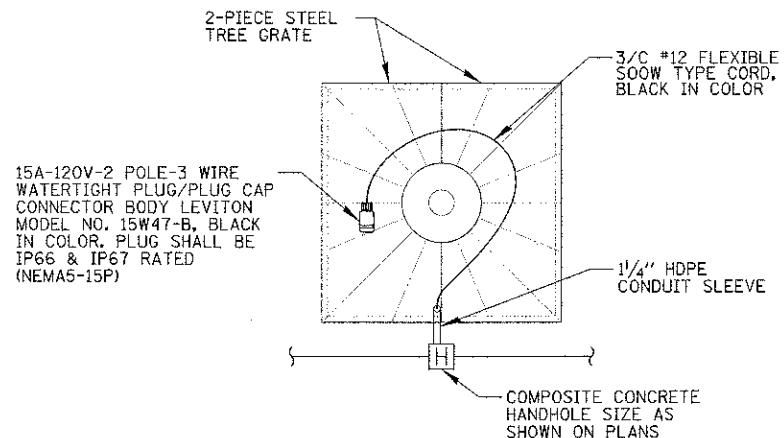


**NOTES:**

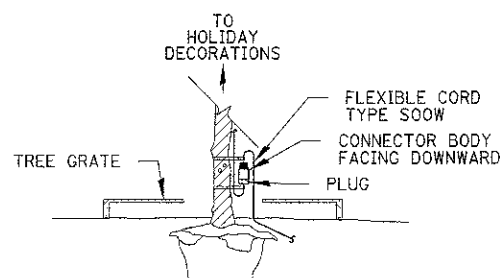
1. CONTRACTOR SHALL COORDINATE EXACT LOCATION, MOUNTING HEIGHT AND ORIENTATION OF ALL ITEMS WITH OWNER.
2. END OF RUN BOXES HAVE A VERTICAL 3/4" RGS CONDUIT EMBEDDED A MINIMUM OF 30" BELOW GRADE FOR STABILIZATION.
3. ALL FITTINGS, CONNECTORS, FASTENERS, CONDUIT (FROM THE TRANSITION COUPLING TO THE RECEPTACLE), RECEPTACLE BOX/COVER AND RECEPTACLE SHALL BE INCLUDED, BUT NOT LIMITED TO THE CONTRACT UNIT PRICE FOR "GFCI 20 AMP DUPLEX RECEPTACLE".

**PLANTER BOX TREE RECEPTACLE DETAIL**

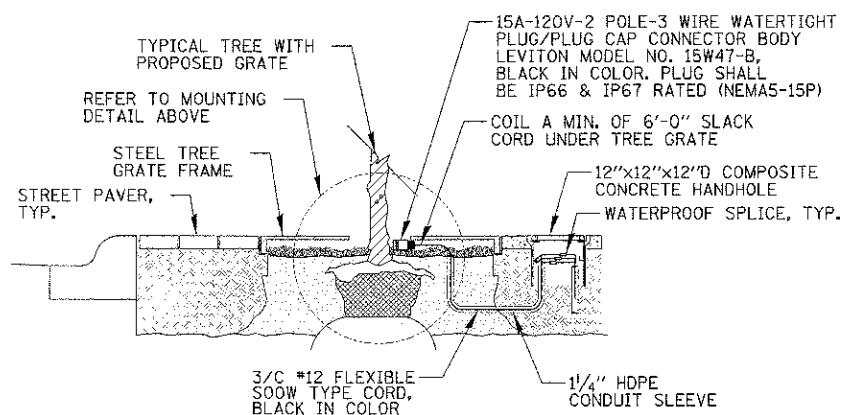
N.T.S.



**PLAN VIEW**



**MOUNTING DETAIL FOR IN USE SERVICE**

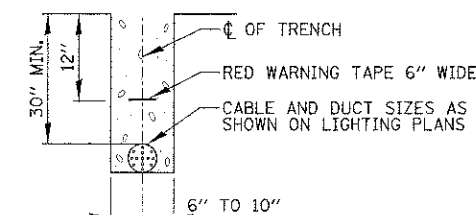


**NOTES:**

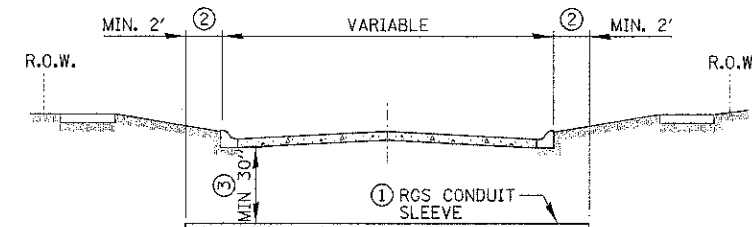
1. THE PROPOSED WATERTIGHT CORD CONNECTORS SHOWN SHALL BE USED IN CONJUNCTION WITH ONLY CORRESPONDING LEVITON WATERTIGHT PLUG MODEL NO. 14W47-B, BLACK IN COLOR, RATED IN-USE PER NEC.
2. CONTRACTOR SHALL SUPPLY SEPARATE CORD SET, 10 FT. IN LENGTH AND BLACK IN COLOR, WITH MATCHING CONNECTOR ENDS (ONE END W/ PLUG AND ONE END W/ RECEPTACLE).
3. ALL MATERIAL & LABOR TO PERFORM THE WORK SHOWN ABOVE SHALL BE INCLUDED IN UNIT PRICE FOR "OUTLET SPECIAL". HANDHOLE SHALL BE PAID FOR SEPARATELY.

**TREE GRATE RECEPTACLE CORD ASSEMBLY DETAIL**

N.T.S.



**TRENCH CROSS SECTION**



**ROADWAY CROSSING**

- ① SLEEVE SHALL BE HEAVY WALL RIGID GALVANIZED STEEL (RGS) CONDUIT.
- ② SLEEVE SHALL EXTEND A MINIMUM OF 2 FT. BEYOND BACK OF CURB.
- ③ SLEEVE SHALL BE A MINIMUM OF 30" BELOW ROADWAY OR CURB BOTTOM.

**ELECTRIC CONDUIT INSTALLATION**

N.T.S.

FILE NAME: 98_LDT_108362.dwt	USER NAME: f.adesicc	DESIGNED: AJD	REVISED: -
		DRAWN: KB, KWB	REVISED: -
		CHECKED: AJD	REVISED: -
		DATE: 8/14/2012	REVISED: -

STATE OF ILLINOIS  
DEPARTMENT OF TRANSPORTATION

LIGHTING DETAILS (4 OF 4)

SCALE: N.T.S. SHEET OF SHEETS STA. TO STA.

C.B.E.	CHRISTOPHER B. BURKE ENGINEERING, LTD.		
	9575 W. Higgins Road, Suite 600 Rosemont, Illinois 60018 (847) 823-0500		
P.A. RTE.	SECTION	COUNTY	TOTAL SHEETS
	10-00149-00-LS	COOK	69
			NO. 46
			CONTRACT NO. 63723
ILLINOISIFIED, AID PROJECT			