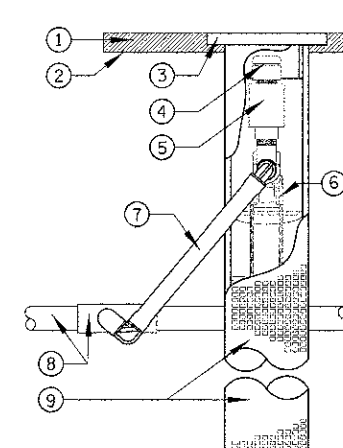


NOTES:

1. CONTRACTOR SHALL COORDINATE IRRIGATION PIPING WITH PROPOSED ELECTRICAL EQUIPMENT LOCATED INSIDE PLANTER BOXES.

PLANTER BOX IRRIGATION DETAIL

N.T.S.

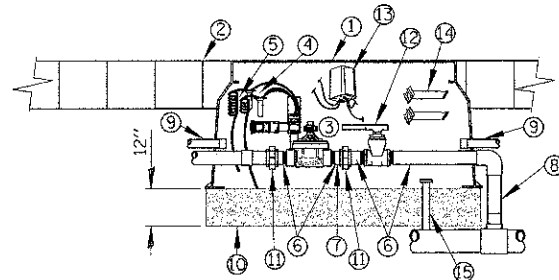


- ① MULCH
- ② FINISH GRADE
- ③ GRATED CAP
- ④ 0.50 GPM PCB BUBBLER
- ⑤ CHECK VALVE
- ⑥ PATENTED STRATA ROOT SYSTEM
- ⑦ SWING JOINT
- ⑧ LATERAL TEE OR ELL/PIPE
- ⑨ ROOT INTRUSION BARRIER

NOTE: INSTALL FILTER FABRIC SLEEVE

18" ROOT ZONE WATERING SYSTEM

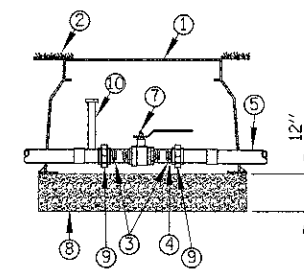
N.T.S.



- ① VALVE BOX, TIER 15 OR EQUAL LOADING WITH BOLTED/GASKETED LID AND "IRRIGATION" LOGO. SIZED TO BE DETERMINED BY CONTRACTOR
- ② FINISH GRADE
- ③ REMOTE CONTROL VALVE
- ④ WATERPROOF CONNECTORS (2)
- ⑤ 18-24" COILED WIRE
- ⑥ SCH 80 THREADED ONE END (T.O.E.) ONLY NIPPLE
- ⑦ SCH 80 NIPPLE
- ⑧ MAIN LINE PIPE & FITTINGS
- ⑨ CONTROL WIRING IN 1" SCH 40 PVC CONDUIT
- ⑩ 3/4" MINUS WASHED GRAVEL
- ⑪ PVC SLIP UNIONS
- ⑫ BALL VALVE LINE SIZED
- ⑬ DECODER
- ⑭ WATERPROOF SPLICE CONNECTORS
- ⑮ QUICK COUPLER

AUTOMATIC ELECTRIC CONTROL VALVE WITH ISOLATION VALVE DETAIL

N.T.S.



- ① VALVE BOX, TIER 15 OR EQUAL LOADING WITH BOLTED/GASKETED LID AND "IRRIGATION" LOGO. SIZED TO BE DETERMINED BY CONTRACTOR
- ② FINISH GRADE
- ③ SCH 80 THREADED ONE END (T.O.E.) ONLY NIPPLE
- ④ SCH 80 NIPPLE
- ⑤ MAIN LINE PIPE & FITTINGS
- ⑥ NOT USED
- ⑦ FULL PORT BALL VALVE
- ⑧ 3/4" MINUS WASHED GRAVEL
- ⑨ PVC SLIP UNIONS
- ⑩ QUICK COUPLER

MANUAL ISOLATION VALVE DETAIL

N.T.S.

FILE NAME: JI 10010062.dwg	USER NAME: adarices	DESIGNED: JPC	REVISED: -
		DRAWN: KWB	REVISED: -
		CHECKED: JPC	REVISED: -
		DATE: 8/14/2012	REVISED: -

STATE OF ILLINOIS
DEPARTMENT OF TRANSPORTATION

PROPOSED IRRIGATION DETAILS (1 OF 1)

SCALE: 1"=20' SHEET OF SHEETS STA. TO STA.

C.B.B.	CHRISTOPHER B. BURKE ENGINEERING, LTD.		
	9575 W. Higgins Road, Suite 600 Rosemont, Illinois 60018 (847) 823-0500		
F.A. RTE.	SECTION	COUNTY	TOTAL SHEETS
	10-00149-00-LS	COOK	69 49
			CONTRACT NO. 63723
ILLINOIS FED. AID PROJECT			