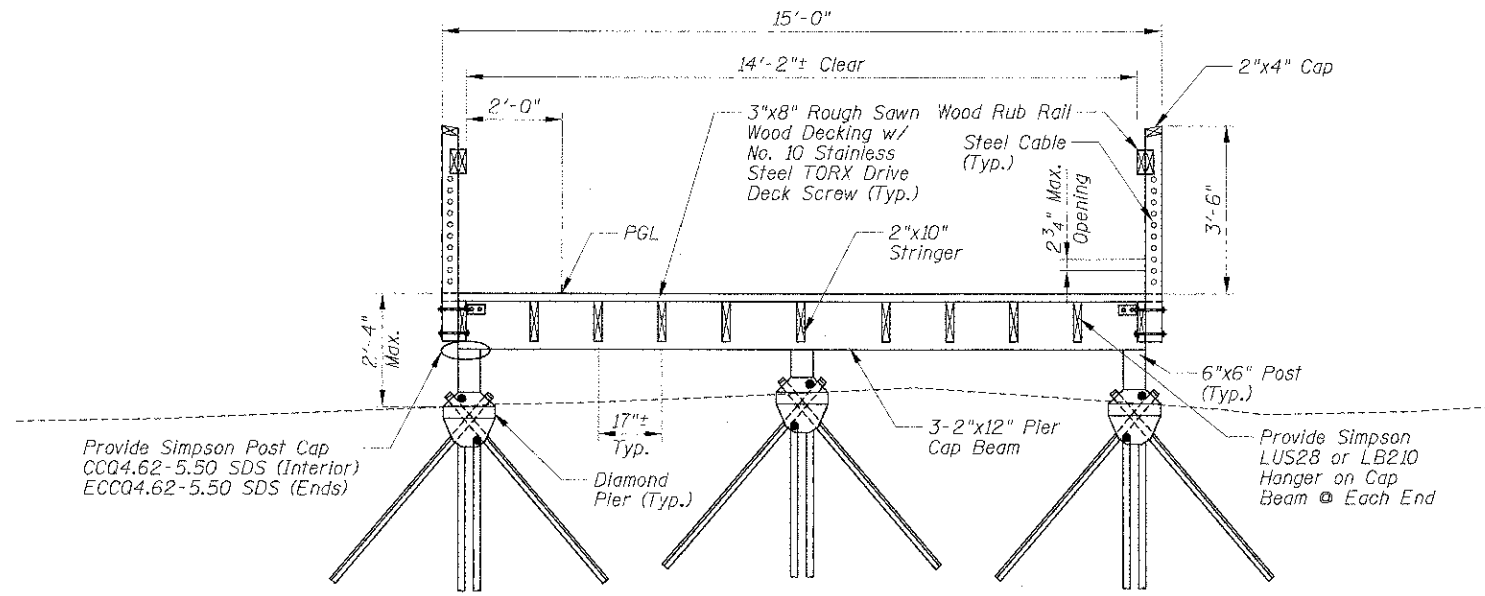
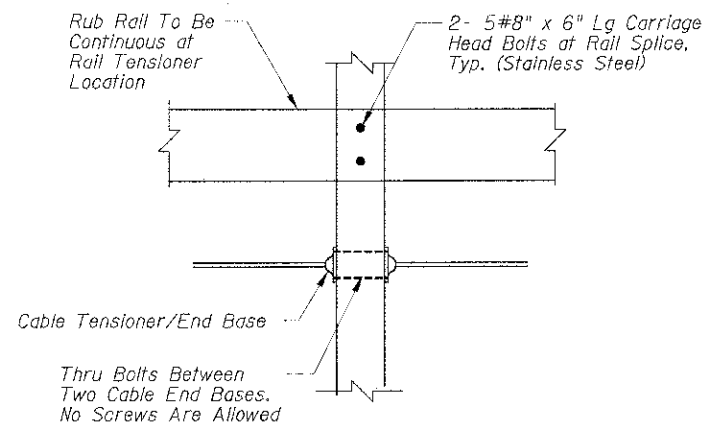


RAILING DETAIL

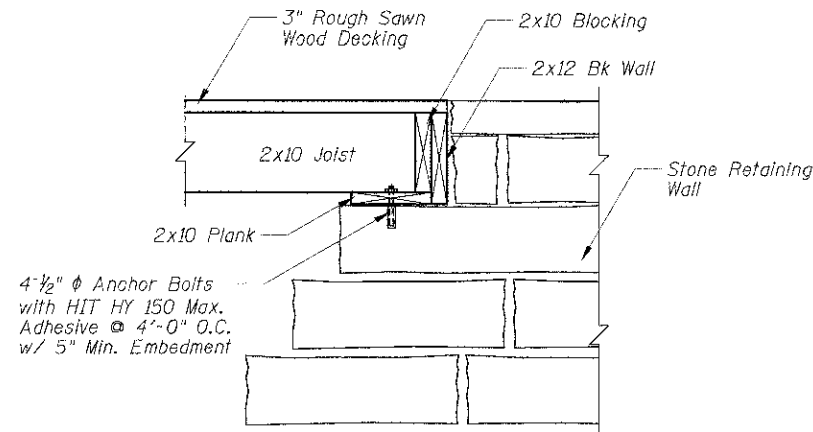


TYPICAL CROSS SECTION

(Looking East)



RAIL TENSIONER DETAIL



ABUTMENT DETAIL