

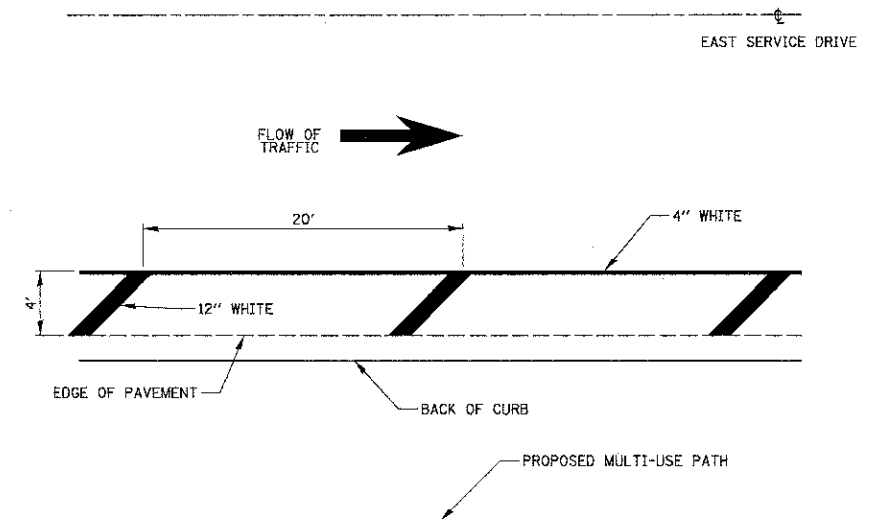
SOIL TO BE NON - INVASIVELY EXCAVATED WITH SUPERSONIC AIR TOOL TO ROOT DEPTH PRIOR TO ROOT AERATION MAT INSTALLATION

ALL TREE ROOT PROTECTION WORK MUST BE DONE UNDER THE DIRECTION OF A CERTIFIED ARBORIST

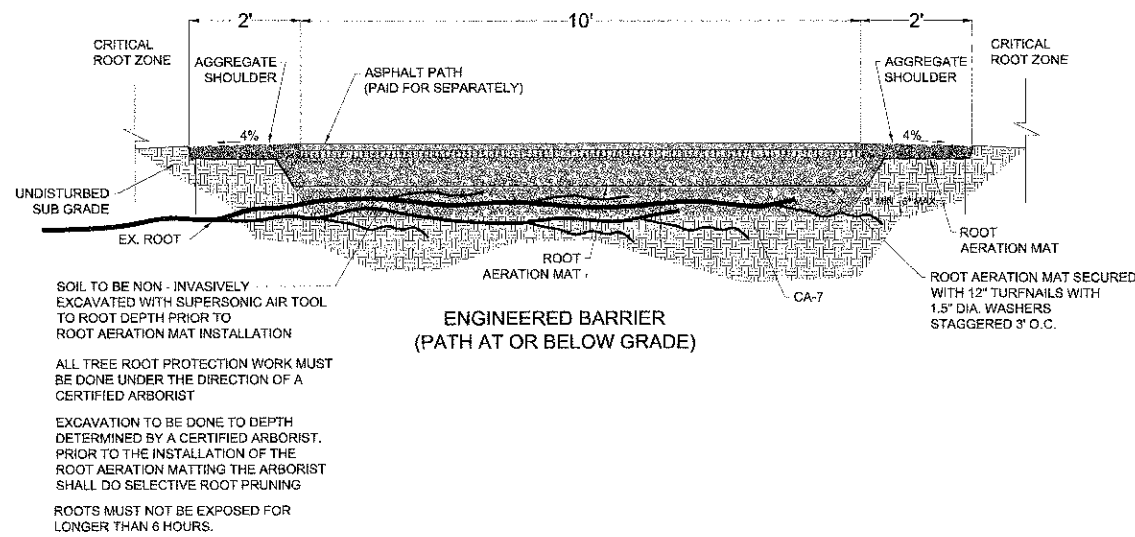
EXCAVATION TO BE DONE TO DEPTH DETERMINED BY A CERTIFIED ARBORIST. PRIOR TO THE INSTALLATION OF THE ROOT AERATION MATTING THE ARBORIST SHALL DO SELECTIVE ROOT PRUNING

ROOTS MUST NOT BE EXPOSED FOR LONGER THAN 6 HOURS.

ENGINEERED BARRIER (PATH ABOVE GRADE)



EAST SERVICE DRIVE PAVEMENT MARKING



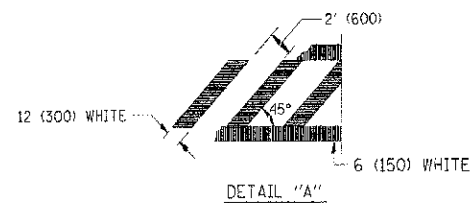
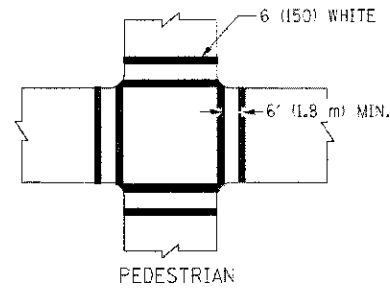
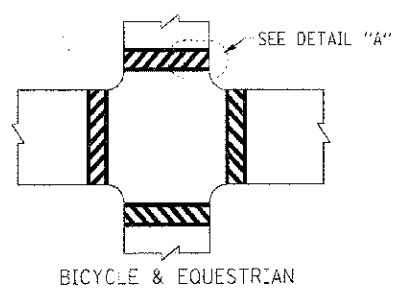
SOIL TO BE NON - INVASIVELY EXCAVATED WITH SUPERSONIC AIR TOOL TO ROOT DEPTH PRIOR TO ROOT AERATION MAT INSTALLATION

ALL TREE ROOT PROTECTION WORK MUST BE DONE UNDER THE DIRECTION OF A CERTIFIED ARBORIST

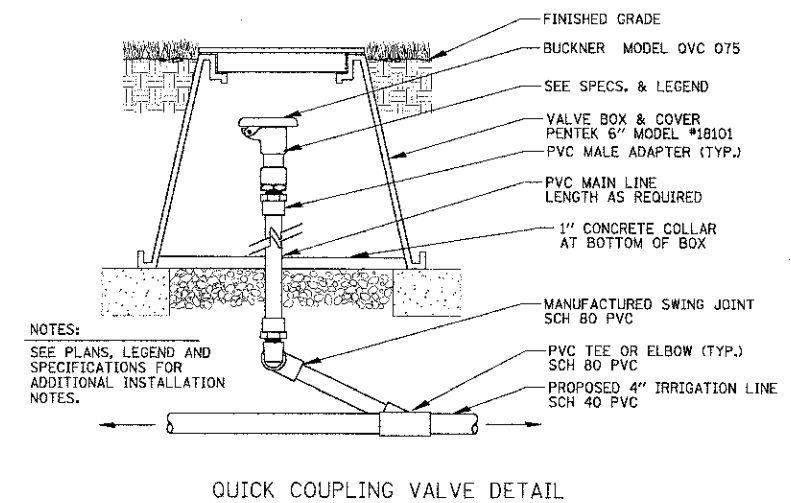
EXCAVATION TO BE DONE TO DEPTH DETERMINED BY A CERTIFIED ARBORIST. PRIOR TO THE INSTALLATION OF THE ROOT AERATION MATTING THE ARBORIST SHALL DO SELECTIVE ROOT PRUNING

ROOTS MUST NOT BE EXPOSED FOR LONGER THAN 6 HOURS.

ENGINEERED BARRIER (PATH AT OR BELOW GRADE)



TYPICAL CROSSWALK MARKING



NOTES:
SEE PLANS, LEGEND AND SPECIFICATIONS FOR ADDITIONAL INSTALLATION NOTES.

QUICK COUPLING VALVE DETAIL